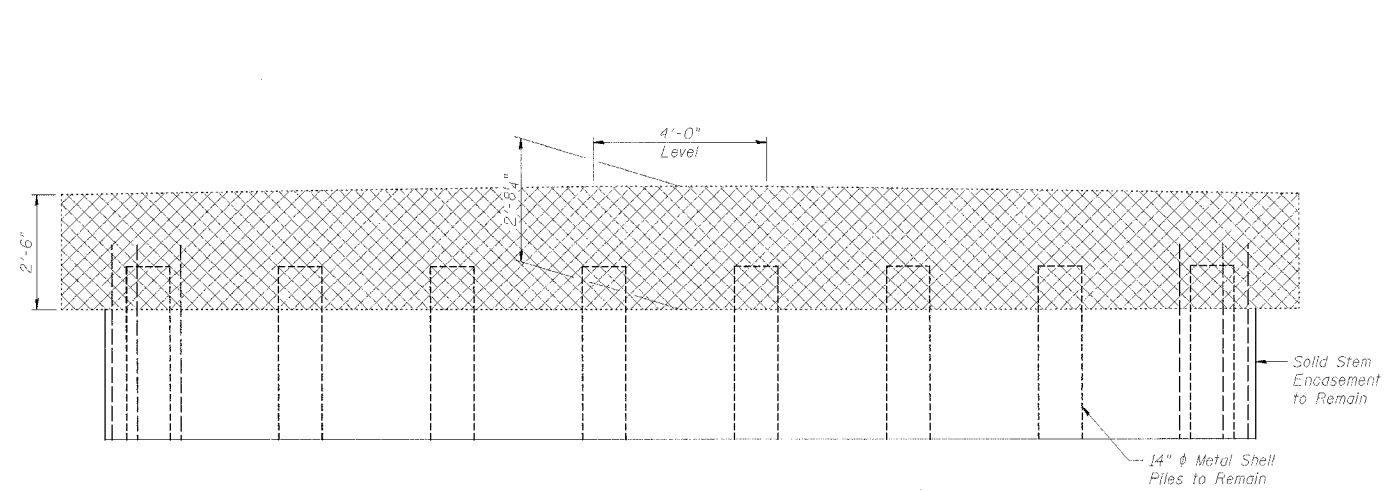
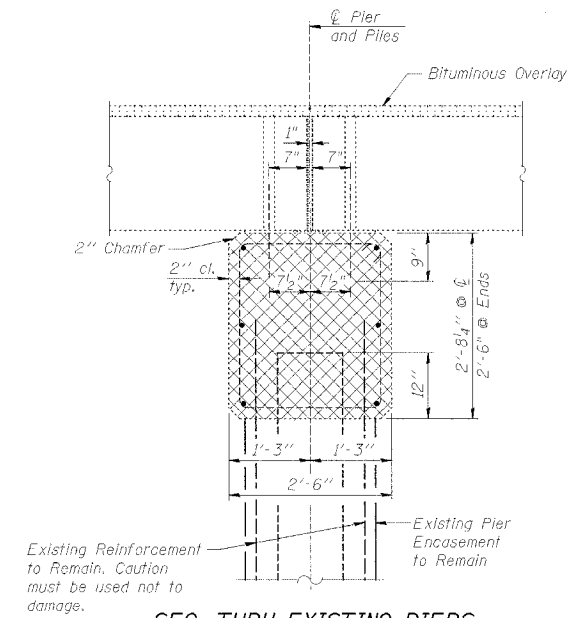


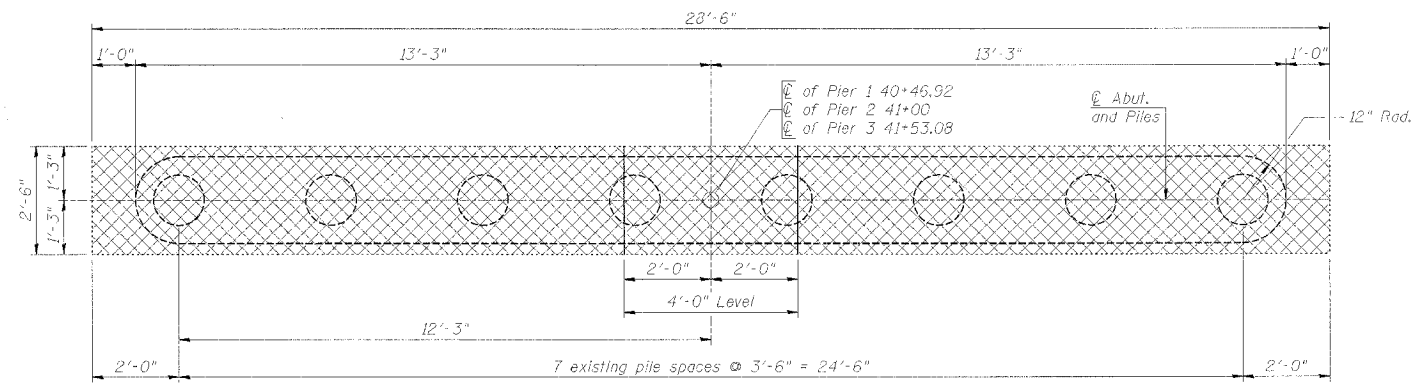
TR	06-1518-01-BR	OGLE	44	11
61A	06-02121-01-BR	WINNEBAGO		
FED. ROAD DIST. NO. 7	BLANKS	FED. AID PROJECT: BHOS-14(16.4)		



**ELEVATION-EXISTING**  
(Looking West)



**SEC. THRU EXISTING PIERS**



**PLAN-EXISTING**

**BILL OF MATERIAL - EXISTING PIERS 1, 2 & 3**

Item	Unit	Quantity
Concrete Removal	Cu. Yd.	20.7

**Notes:**

Hatched area indicates Concrete Removal limits.

The existing pile & vertical reinforcement bars extending into cap, shall be cleaned of all existing concrete. The cost of this work shall be included in the contract price per Cubic Yard of Concrete Removal.

Contractor shall use caution as to not damage existing Solid Stem Pier Encasement that is to remain in place.

**PIERS 1, 2 & 3 DETAILS**  
EDSON ROAD (TR 61A) OVER  
SOUTH BRANCH KISHWAUKEE RIVER  
STA. 41+00 (071-3304)  
SECTION 06-1518-01-BR  
MONROE ROAD DISTRICT  
OGLE COUNTY  
SECTION 06-02121-01-BR  
CHERRY VALLEY ROAD DISTRICT  
WINNEBAGO COUNTY