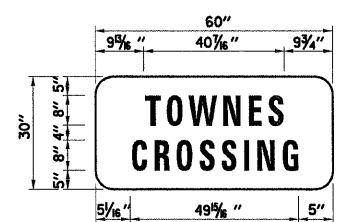
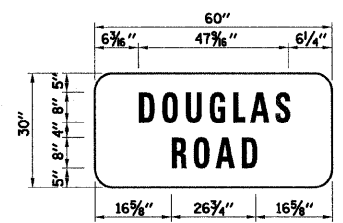
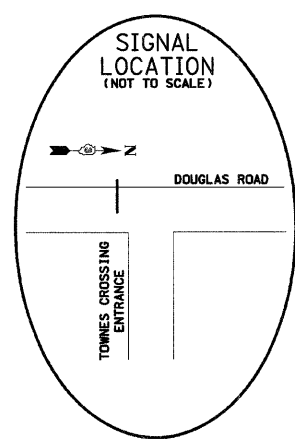
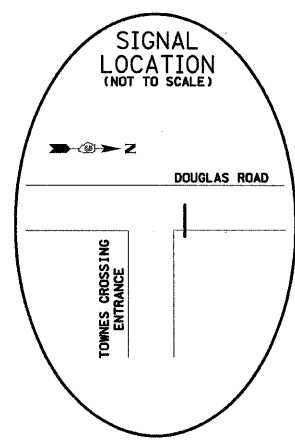


F.A.U. SECTION	COUNTY	TOTAL SHEET NO.
2508 02-00039-00-PV	KENDALL	146 87
STA.	TO STA.	
FED. ROAD DIST. NO.	ILLINOIS FED. AID PROJECT	87333

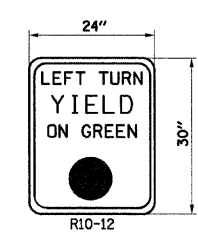


STREET NAME SIGN DETAIL

THESE STREET NAME SIGNS SHALL BE PLACED ON THE MAST ARMS PARALLEL TO THE RESPECTIVE ROUTE AS DIRECTED BY THE ENGINEER.

STREET NAME SIGNS

1. TYPE A SHEETING REQUIRED
2. WHITE LETTERING ON GREEN BACKGROUND
3. 3/4" WHITE BORDER



TYPE "A" SHEETING REQUIRED

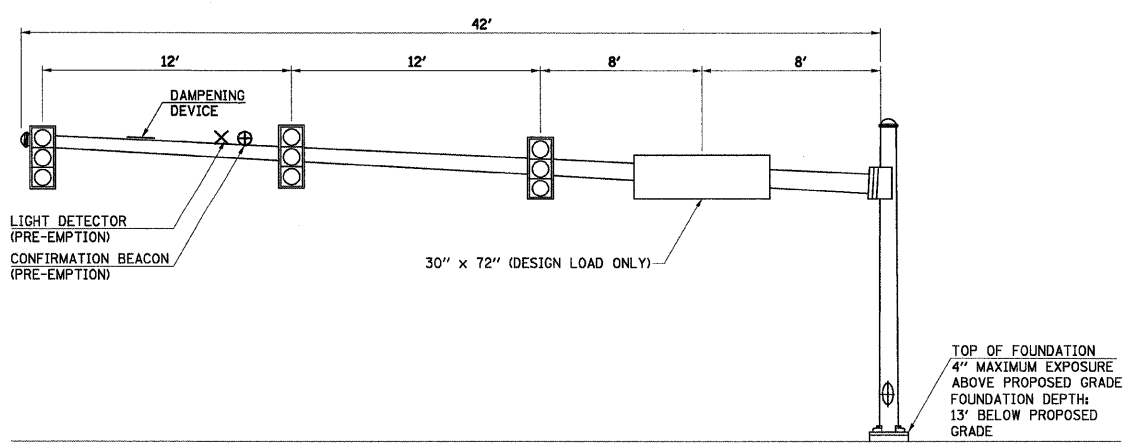
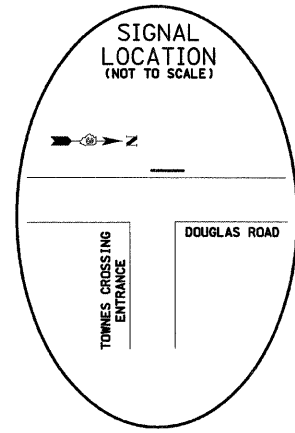
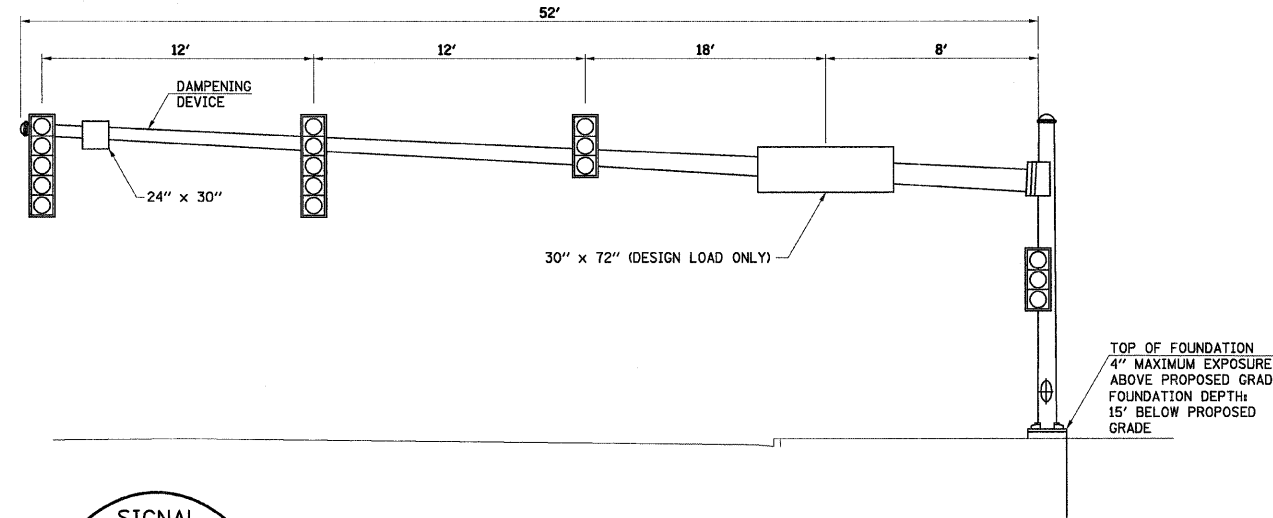
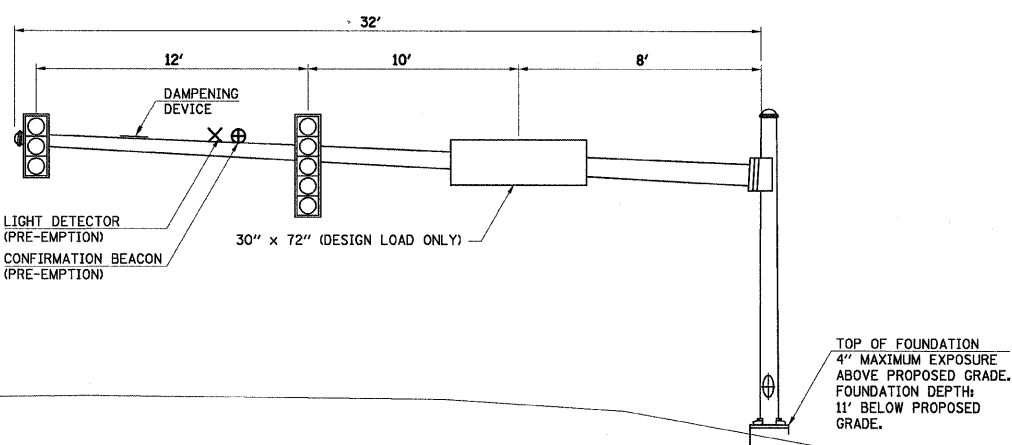
5.0 SQ. FT. EACH REQUIRED

LEFT TURN CONTROL SIGN DETAIL

THIS SIGN SHALL BE LOCATED 6 TO 12 INCHES TO THE RIGHT OF THE SOUTHBOUND MAST ARM MOUNTED LEFT TURN SIGNAL HEAD.

NOTES

1. ALL SIGNAL HEADS HAVE BACKPLATES.
2. ALL MAST ARM FOUNDATIONS TO BE 36" DIAMETER.
3. DAMPENING DEVICE SHALL CONSIST OF A 24" X 30" TYPE-I, UNPAINTED ALUMINUM SIGN STOCK MOUNTED HORIZONTALLY ON TOP OF MAST ARM WITH THE 30" LENGTH PERPENDICULAR TO THE ARM. COST OF THE DAMPENING DEVICE SHALL BE INCLUDED IN THE MAST ARM PAY ITEM.



ILLINOIS DEPARTMENT OF TRANSPORTATION

F.A.U. 2508 - DOUGLAS ROAD (U.S. RTE 34 TO U.S. RTE 30)

TOWNES CROSSING ENTRANCE MAST ARM LOADING DIAGRAMS STREET SIGN DETAIL

SCALE: VERT. N.T.S. HORIZ. N.T.S.

DATE: _____ DRAWN BY: _____ CHECKED BY: _____

PLAN	DATE
SURVEYED	BY
NOTED	NO.
PLOTTED	
CHECKED	
BY	
FILE NAME	

PROFILE	DATE
SURVEYED	BY
NOTED	NO.
PLOTTED	
CHECKED	
BY	
FILE NAME	

2:49:30 AM
3/28/2007
y:\ops\smith\11\2008\010712_douglas\cct\11n.dwg\142_e1p05.ma.dgn