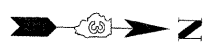
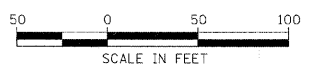


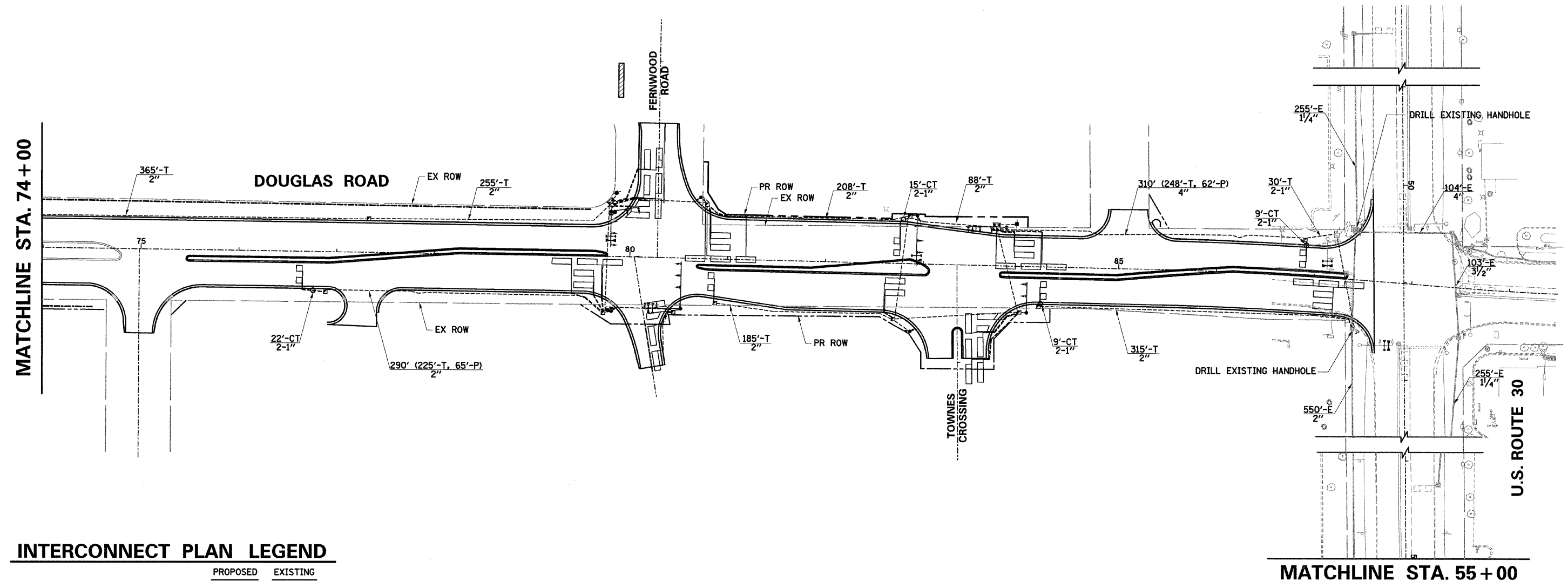
| | | | | |
|---------------------|----------------|---------------------------|--------------|-----------|
| F.A.U. RTE. | SECTION | COUNTY | TOTAL SHEETS | SHEET NO. |
| 2508 | 02-00039-00-PV | KENDALL | 146 | 94 |
| STA. | | TO STA. | | |
| FED. ROAD DIST. NO. | | ILLINOIS FED. AID PROJECT | | |

87333



| | | |
|---------------|-------------------|------|
| PLAN | SURVEYED | DATE |
| NOTE BOOK NO. | PLOTTED / CHECKED | |
| | BY / DATE | |
| | BY / DATE | |
| | BY / DATE | |

| | | |
|---------------|-------------------|------|
| PROFILE | SURVEYED | DATE |
| NOTE BOOK NO. | PLOTTED / CHECKED | |
| | BY / DATE | |
| | BY / DATE | |
| | BY / DATE | |



INTERCONNECT PLAN LEGEND

| | PROPOSED | EXISTING |
|----------------------------------|----------|----------|
| CONTROLLER | ☒ | ☒ |
| HANDHOLE | ◼ | ◻ "E" |
| DOUBLE HANDHOLE | ◼◼ | ◻◻ "E" |
| G.S. CONDUIT IN TRENCH OR PUSHED | --- | ≡≡≡ |
| DETECTOR LOOP | ◻ | ◻ |
| COMMON TRENCH | CT | |
| UNIT DUCT | UD | |
| SYSTEM | S | |
| INTERSECTION | IP | |

ILLINOIS DEPARTMENT OF TRANSPORTATION
 F.A.U. 2508 - DOUGLAS ROAD
 (U.S. RTE 34 TO U.S. RTE 30)
**TRAFFIC SIGNAL
 INTERCONNECT PLAN**
 SCALE: VERT. _____
 HORIZ. _____
 DATE _____ DRAWN BY _____
 CHECKED BY _____

246233 AM
 3/28/2007
 Y:\Jobs\Smith\2007\02\42_douglas\cody\in.dwg\142_sig_int02.dgn