

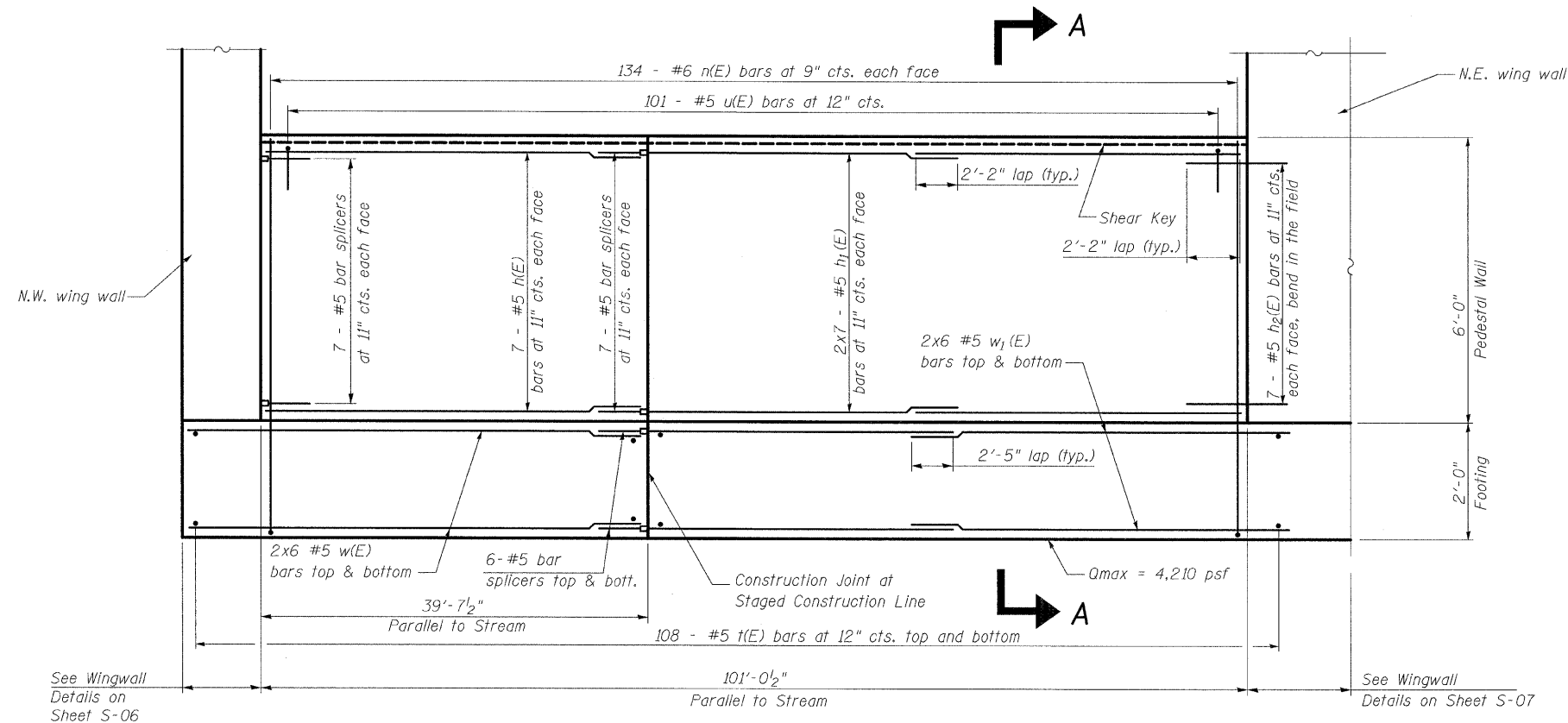
F.A.U. RTE.	SECTION	COUNTY	TOTAL SHEETS	SHEET NO.
2508	02-00039-00-PV	KENDALL	146	105
STA.	TO STA.			
FED. ROAD DIST. NO.	ILLINOIS	FED. AID PROJECT		

S-05

87333

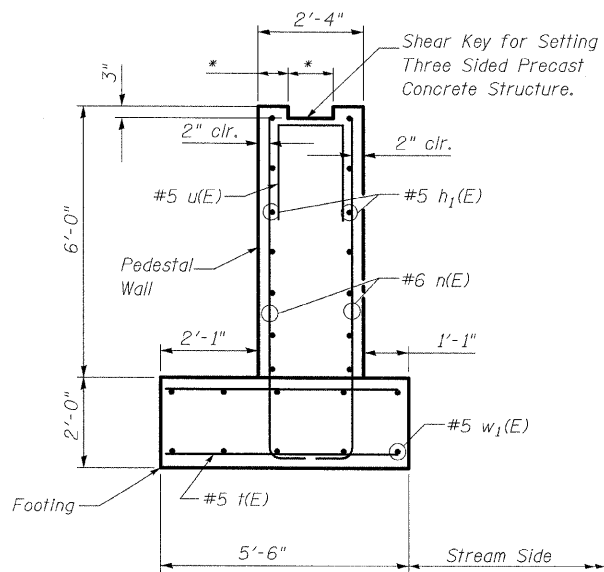
PLAN	DATE
BY	
DATE	
BY	
DATE	
BY	
DATE	
BY	
DATE	
BY	
DATE	

PROFILE	DATE
BY	
DATE	
BY	
DATE	
BY	
DATE	
BY	
DATE	
BY	
DATE	



**ELEVATION**

N.T.S.  
Looking North at North Footing.  
South Elevation Similar, but opposite hand.



**SECTION A-A**

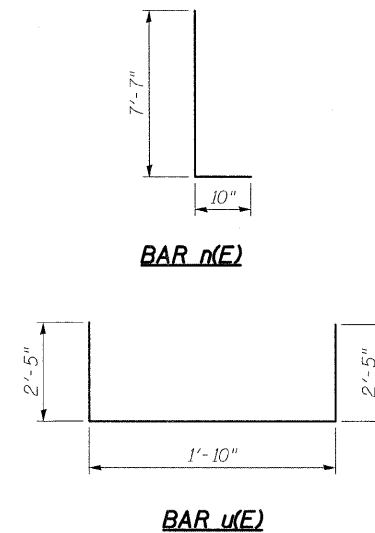
- \* = To be coordinated with shop drawings by supplier of Three Sided Precast Concrete Structure
- Pedestal Wall and Footing shall be cast-in-place concrete per the Special Provision for Three Sided Precast Concrete Structure and paid for as Concrete Structures.

**BILL OF MATERIAL**  
**NORTH & SOUTH PEDESTAL WALL & FOOTING**

Bar	No.	Size	Length	Shape
n(E)	28	#5	39'-3"	—
h1(E)	56	#5	31'-8"	—
hp(E)	28	#5	4'-8"	—
n(E)	536	#6	8'-5"	—
t(E)	432	#5	5'-2"	—
u(E)	202	#5	6'-8"	—
w(E)	24	#5	43'-7"	—
w1(E)	48	#5	33'-11"	—
Reinforcement Bars, Epoxy Coated		Pound	16,430	
Concrete Structures		Cu. Yd.	186.5	
Structure Excavation		Cu. Yd.	805	

**NOTES:**

1. Bars indicated thus 1 x 2 - #5 etc. indicates 1 line of bars with 2 lengths per line.
2. Work this sheet with sheet S-02, S-03, S-05 and S-07 thru S-10.



BAR n(E)

BAR u(E)

Illinois Professional Design Firm # 184-000108  
**SEC GROUP, INC.**  
 Smith Engineering Consultants • SEC Automation • SEC Planning  
 4500 Prime Pkwy, McHenry, IL 60050-2136  
 T. 815.385.1778 F. 815.385.1781  
 www.secgroupinc.com engineering@secgroupinc.com

ILLINOIS DEPARTMENT OF TRANSPORTATION  
**F.A.U. 2508 - DOUGLAS ROAD**  
**(U.S. RTE 34 TO U.S. RTE 30)**  
 FOUNDATION DETAILS  
**DOUGLAS ROAD OVER WAUBONSEE CREEK**  
**SECTION 02-00039-00-PV, STA. 49+42**  
**SN 047-6306, KENDALL COUNTY**  
 SCALE: VERT. HORIZ. DATE  
 DRAWN BY CHECKED BY