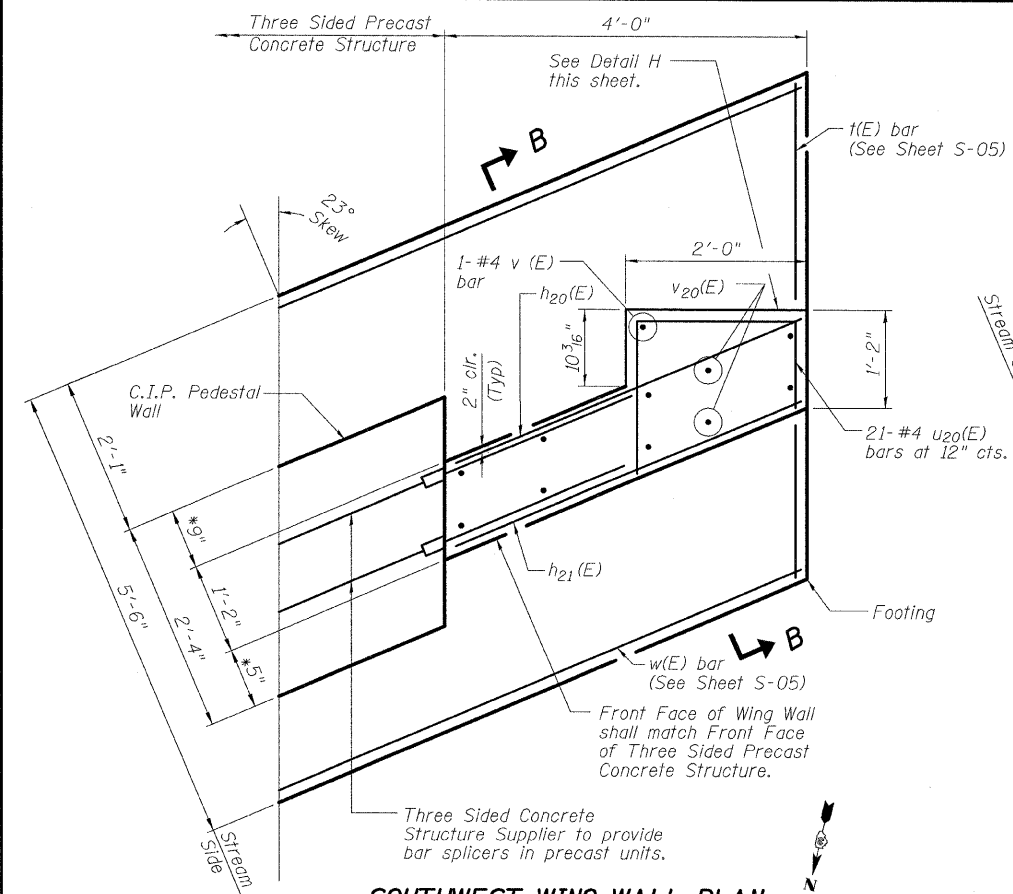


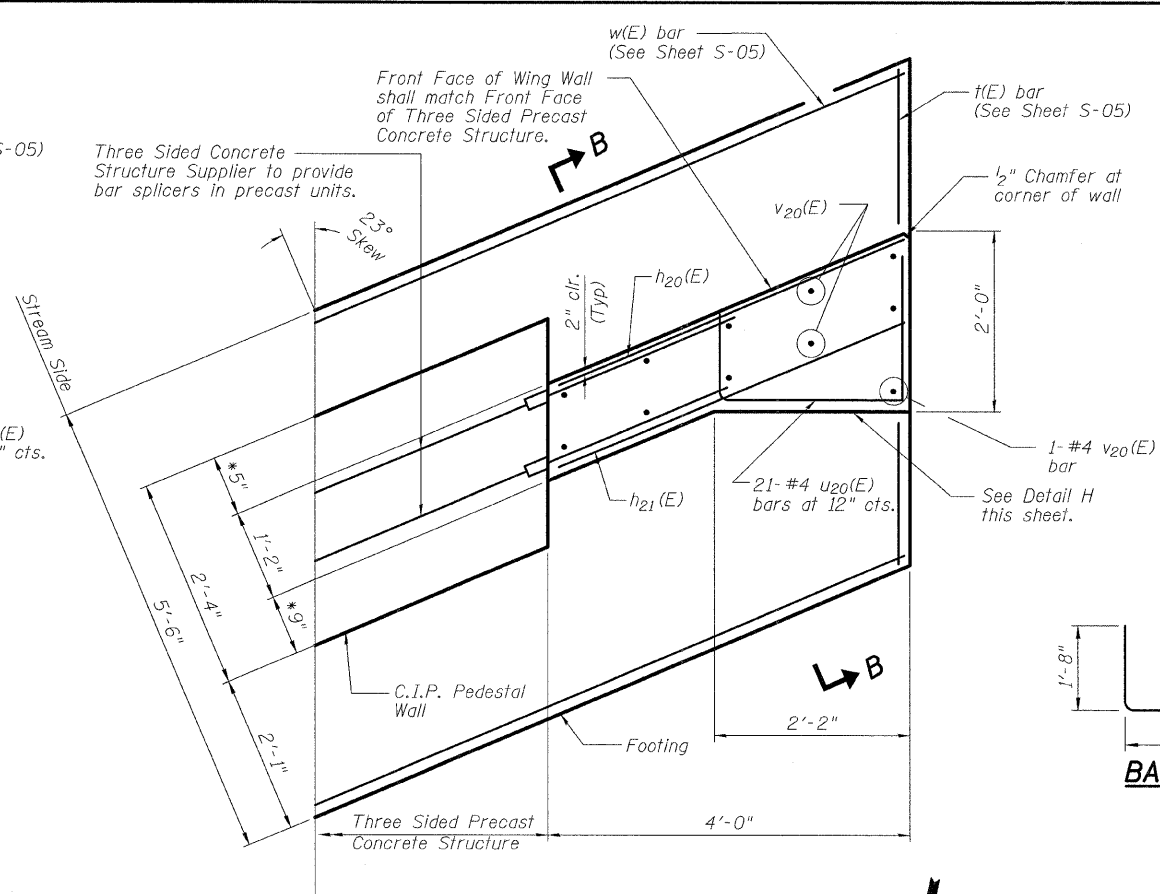
PLAN	BY	DATE
NO.		
NO.		
NO.		

PROFILE	BY	DATE
NO.		
NO.		
NO.		



SOUTHWEST WING WALL PLAN

* To be verified after Three Sided Precast Concrete Structure is installed.

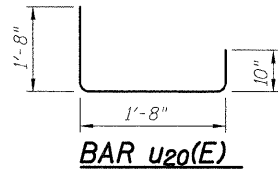


NORTHWEST WING WALL PLAN

* To be verified after Three Sided Precast Concrete Structure is installed.

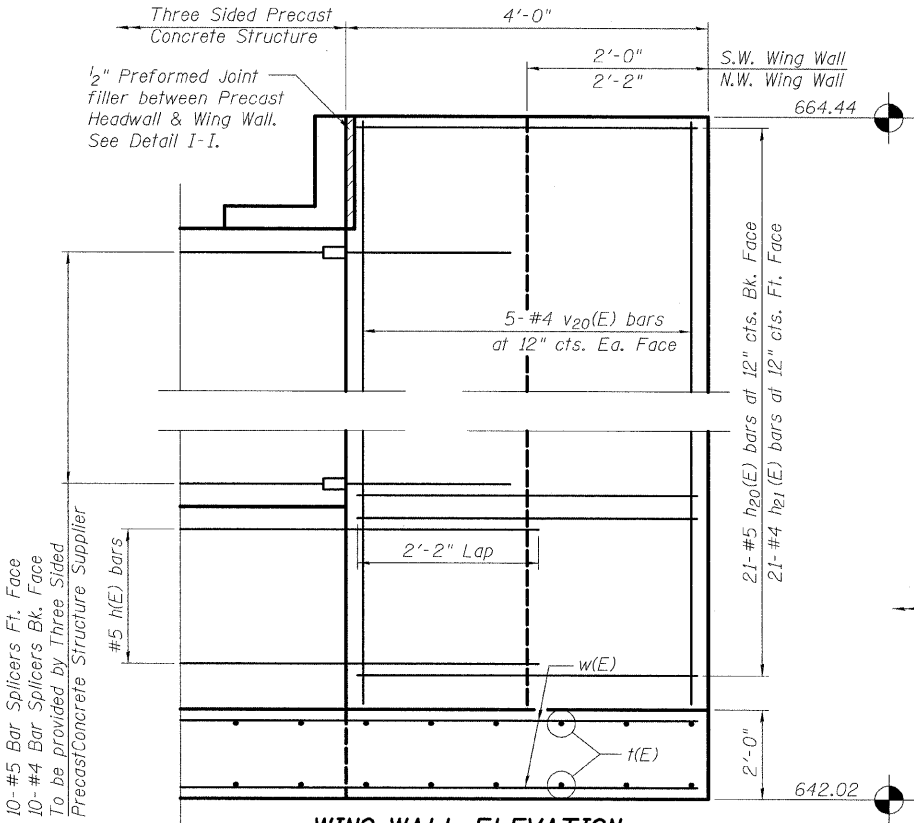
**NORTHWEST & SOUTHWEST WING WALL
BILL OF MATERIAL**

Bar	No.	Size	Length	Shape
h20(E)	42	#5	3'-8"	—
h21(E)	42	#4	3'-8"	—
v20(E)	22	#4	20'-0"	—
u20(E)	42	#4	4'-2"	└┘
Reinforcement Bars (Epoxy Coated)			Pound	680
Concrete Structures			Cu. Yd.	9.0
Porous Granular Embankment (Special)			Cu. Yd.	7.0
Geocomposite Wall Drain			Sq. Yd.	17.6
Structure Excavation			Cu. Yd.	30



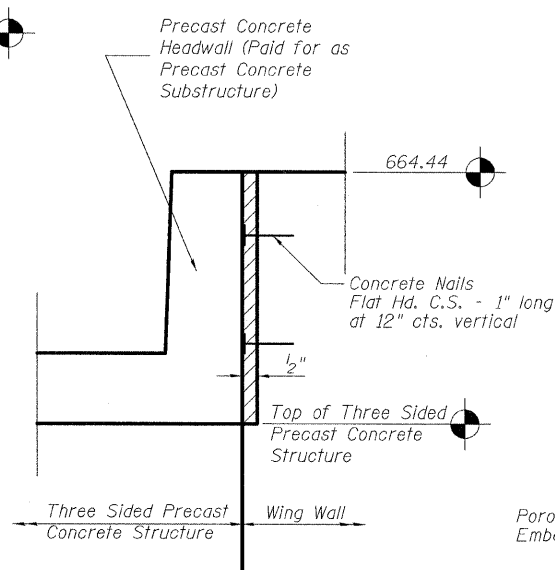
NOTES:

1. Bars indicated thus 1 x 2 - #5 etc. indicates 1 line of bars with 2 lengths per line.
2. Work this sheet with sheet S-02, S-03, S-05 and S-07 thru S-10.

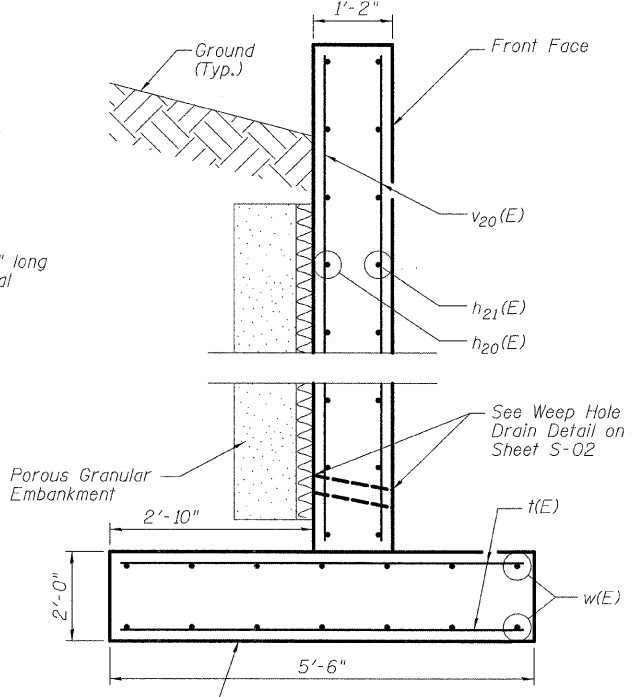


WING WALL ELEVATION

(Applicable to both Northwest and Southwest wing walls.)

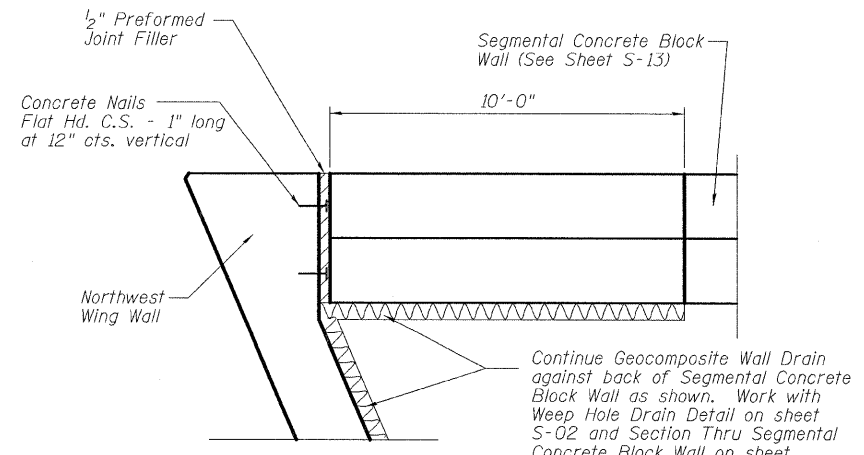


DETAIL I-I



SECTION B-B

Qmax = 3,650 psf



DETAIL H

- Similar Detail at Southwest Wing Wall

ILLINOIS DEPARTMENT OF TRANSPORTATION
F.A.U. 2508 - DOUGLAS ROAD
(U.S. RTE 34 TO U.S. RTE 30)
WING WALL DETAILS
DOUGLAS ROAD OVER WAUBONSEE CREEK
SECTION 02-00039-00-PV, STA. 49+42
SN 047-6306, KENDALL COUNTY

Illinois Professional Design Firm # 184-000108
SEC GROUP, INC.
Smith Engineering Consultants • SEC Automation • SEC Planning
4500 Prime Pkwy, McHenry, IL 60050-2138
t. 815.385.1778 f. 815.385.1781
www.secgroupinc.com engineering@secgroupinc.com

SCALE: VERT. DATE
HORIZ. DATE
DRAWN BY
CHECKED BY