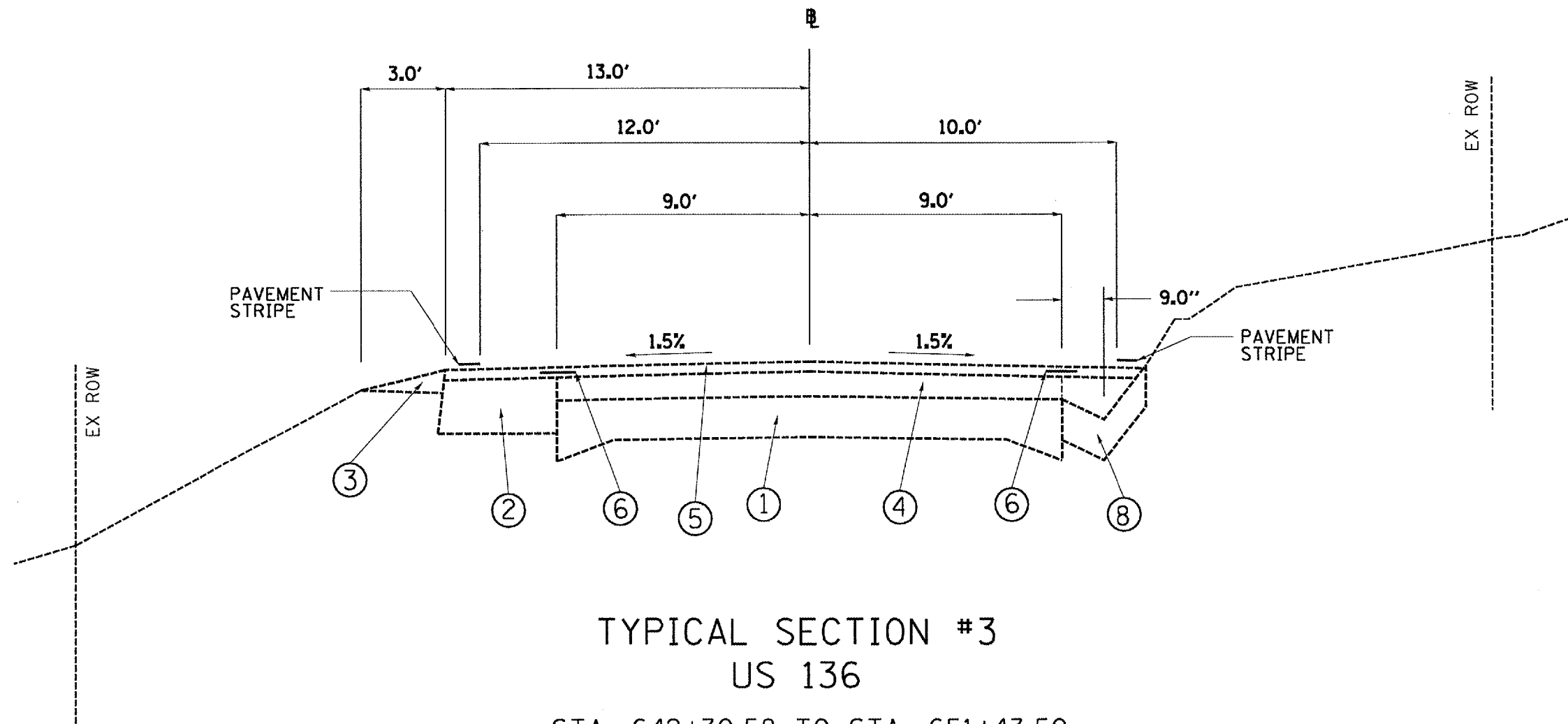


F.A. RTE.	SECTION	COUNTY	TOTAL SHEETS	SHEET NO.
315		FULTON	324	10
STA.	TO STA.			
FED. ROAD DIST. NO.	ILLINOIS	FED. AID PROJECT		
*109W-1,RS-2;110W,RS-1				



TYPICAL SECTION #3
US 136

STA. 642+30.58 TO STA. 651+43.50

LEGEND

- ① EX. 9-6-9 PCC PAVEMENT
- ② EX. BITUMINOUS WIDENING 9"
- ③ EX. AGGREGATE SHOULDER
- ④ EX. BITUMINOUS OVERLAY
- ⑤ EX. BITUMINOUS OVERLAY 2"
- ⑥ EX. STRIP REFLECTIVE CRACK CONTROL
- ⑦ EX. TYPE A GUTTER
- ⑧ EX. TYPE B GUTTER

PLOT DATE = 8/12/2007
 PLOT NAME = I:\1036\us136\typical.dgn
 PLOT SCALE = 1/8"=1'-0"
 USER NAME = meuhar-dec

REVISIONS	
NAME	DATE

ILLINOIS DEPARTMENT OF TRANSPORTATION

**EXISTING TYPICAL SECTION
US 136**

SCALE: VERT. DRAWN BY CEM
 HORIZ. CHECKED BY CEM
 DATE 08/09/05