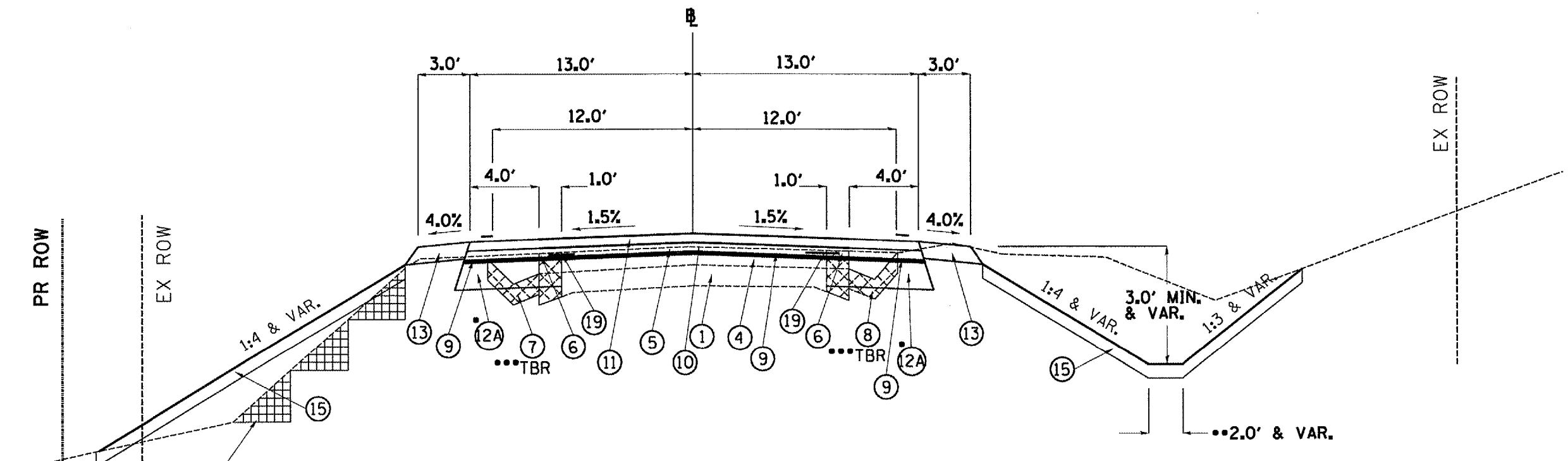


F.A. RTE.	SECTION	COUNTY	TOTAL SHEETS	SHEET NO.
315		FULTON	324	13
STA.	TO STA.			
FED. ROAD DIST. NO.	ILLINOIS FED. AID PROJECT			

\*109W-1,RS-2,110W,RS-1



TYPICAL SECTION #6  
US 136

STA. 540+00.00 TO STA. 543+00.00  
 STA. 596+36.90 TO STA. 597+00.00  
 STA. 605+50.00 TO STA. 606+64.00

LEGEND

- ① EX. 9-6-9 PCC PAVEMENT
- ② EX. BITUMINOUS WIDENING 9"
- ③ EX. AGGREGATE SHOULDER
- ④ EX. BITUMINOUS OVERLAY
- ⑤ EX. BITUMINOUS OVERLAY 2"
- ⑥ EX. STRIP REFLECTIVE CRACK CONTROL
- ⑦ EX. TYPE A GUTTER
- ⑧ EX. TYPE B GUTTER
- ⑨ PR. HOT MIX ASPHALT SURFACE REMOVAL (COLDMILLING) 1 1/2"
- ⑩ PR. POLYMERIZED LEVELING BINDER (MM), N50 3/4"
- ⑪ PR. HOT MIX ASPHALT SURFACE CSE. MIX D, N50 1 1/2"
- ⑫ PR. HOT MIX ASPHALT BASE COURSE 10 1/2"
- ⑫A PR. HOT MIX ASPHALT BASE COURSE WIDENING 10 1/2"
- ⑬ PR. AGGREGATE SHOULDER TY. B (RAP)
- ⑭ PR. TY. A GUTTER (MODIFIED)
- ⑮ PR. FURN. AND PLACE TOPSOIL 4"
- ⑯ PR. SUBBASE GRANULAR MATERIAL, TYPE B (VARIABLE DEPTH)
- ⑰ PR. INCIDENTAL BITUMINOUS SURFACING 2 1/2"
- ⑱ PR. AGGREGATE SURF. COURSE, TYPE B (VAR. DEPTH)

- PR HMA BASE CSE 10 1/2" OR HMA BASE CSE WIDENING 10 1/2" SHALL BE PLACED PRIOR TO HMA SURFACE REMOVAL AND OVERLAY
- PR STONE DUMPED RIPRAP TO BE PLACED IN FLOWLINE AT LOCATIONS SHOWN IN THE PLANS PER DISTRICT STANDARD 281001
- EMBANKMENT SHALL BE USED TO FILL VOID BENEATH PR. HMA BASE CSE. OR PR. HMA BASE CSE. WIDENING CAUSED BY GUTTER REMOVAL. AN ADDITIONAL 1.0 FT. OF PAVEMENT WILL BE REMOVED WITH THE GUTTER SECTION. SEE GUTTER REMOVAL SPECIAL PROVISION.

REVISIONS	
NAME	DATE

ILLINOIS DEPARTMENT OF TRANSPORTATION  
 PROPOSED TYPICAL SECTION  
 US 136  
 SCALE: VERT. \_\_\_\_\_  
 HORIZ. \_\_\_\_\_  
 DATE 08/09/05  
 DRAWN BY CEM  
 CHECKED BY CEM

PLOT DATE: 8/15/2007  
 FILE NAME: I:\Projects\136\us136\us136typsec.dgn  
 PLOT SCALE: 1/8"=1'-0"  
 USER NAME: mshaheride