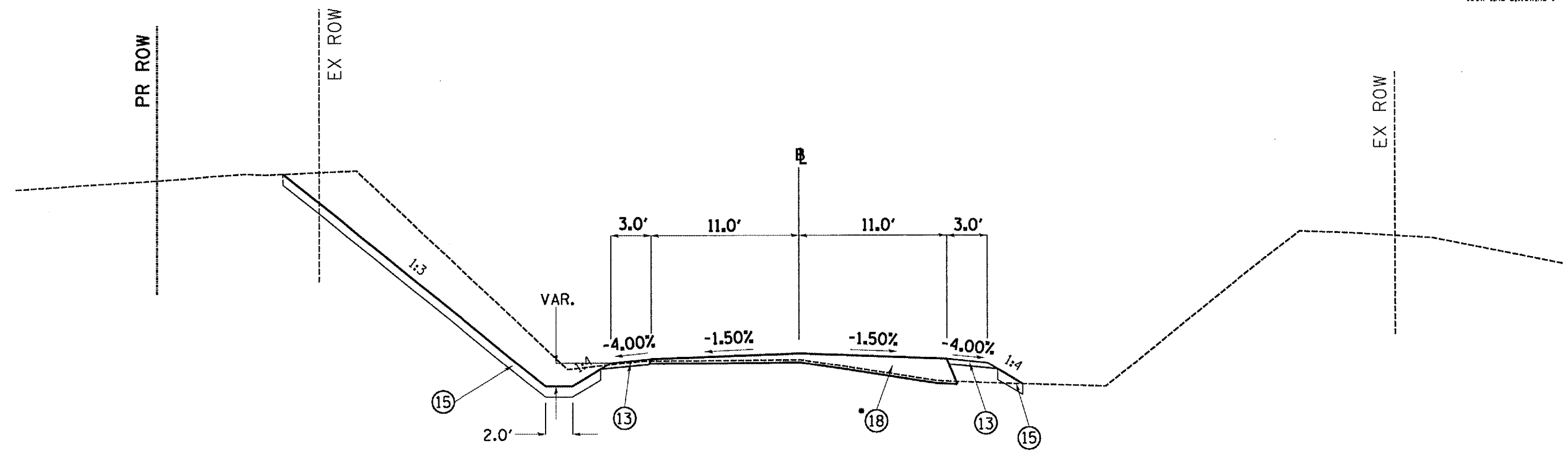


| F.A. RTE.                 | SECTION | COUNTY | TOTAL SHEETS | SHEET NO. |
|---------------------------|---------|--------|--------------|-----------|
| 315                       |         | FULTON | 324          | 18        |
| TO STA.                   |         |        |              |           |
| ILLINOIS FED. AID PROJECT |         |        |              |           |

\*109W-1,RS-2;110W,RS-1



**LEGEND**

- ① EX. 9-6-9 PCC PAVEMENT
- ② EX. BITUMINOUS WIDENING 9"
- ③ EX. AGGREGATE SHOULDER
- ④ EX. BITUMINOUS OVERLAY
- ⑤ EX. BITUMINOUS OVERLAY 2"
- ⑥ EX. STRIP REFLECTIVE CRACK CONTROL
- ⑦ EX. TYPE A GUTTER
- ⑧ EX. TYPE B GUTTER
- ⑨ PR. HOT MIX ASPHALT SURFACE REMOVAL (COLDMILLING) 1 1/2"
- ⑩ PR. POLYMERIZED LEVELING BINDER (MM), N50 3/4"
- ⑪ PR. HOT MIX ASPHALT SURFACE CSE. MIX D, N50 1 1/2"
- ⑫ PR. HOT MIX ASPHALT BASE COURSE 10 1/2"
- ⑫A PR. HOT MIX ASPHALT BASE COURSE WIDENING 10 1/2"
- ⑬ PR. AGGREGATE SHOULDER TY. B (RAP)
- ⑭ PR. TY. A GUTTER (MODIFIED)
- ⑮ PR. FURN. AND PLACE TOPSOIL 4"

**TYPICAL SECTION #11  
MILE LOAD ROAD  
STA. 10+12.70 TO STA. 11+25.00**

- ⑯ PR SUBBASE GRANULAR MATERIAL, TYPE B (VARIABLE DEPTH)
- ⑰ PR INCIDENTAL BITUMINOUS SURFACING 2 1/2"
- ⑱ PR AGGREGATE SURF. COURSE, TYPE B (VAR. DEPTH)
- ⑲ PR STRIP REFLECTIVE CRACK CONTROL (PLACED ON MILLED SURFACE)

**NOTE**

•PR HOT MIX ASPHALT BASE COURSE WIDENING 10 1/2" EXTENDS FROM STA. 10+12.70 TO STA. 10+20.70

| REVISIONS |      |
|-----------|------|
| NAME      | DATE |
|           |      |
|           |      |
|           |      |
|           |      |
|           |      |
|           |      |
|           |      |
|           |      |
|           |      |
|           |      |

ILLINOIS DEPARTMENT OF TRANSPORTATION  
**PROPOSED TYPICAL SECTION  
MILE LOAD ROAD**  
SCALE: VERT. \_\_\_\_\_  
          HORIZ. \_\_\_\_\_  
DATE 08/09/05  
DRAWN BY CEM  
CHECKED BY CEM

PLOT DATE = 8/15/2007  
 FILE NAME = I:\110W\110W136\110W136.dwg  
 PLOT SCALE = 1/8"=1'-0"  
 USER NAME = msharkey