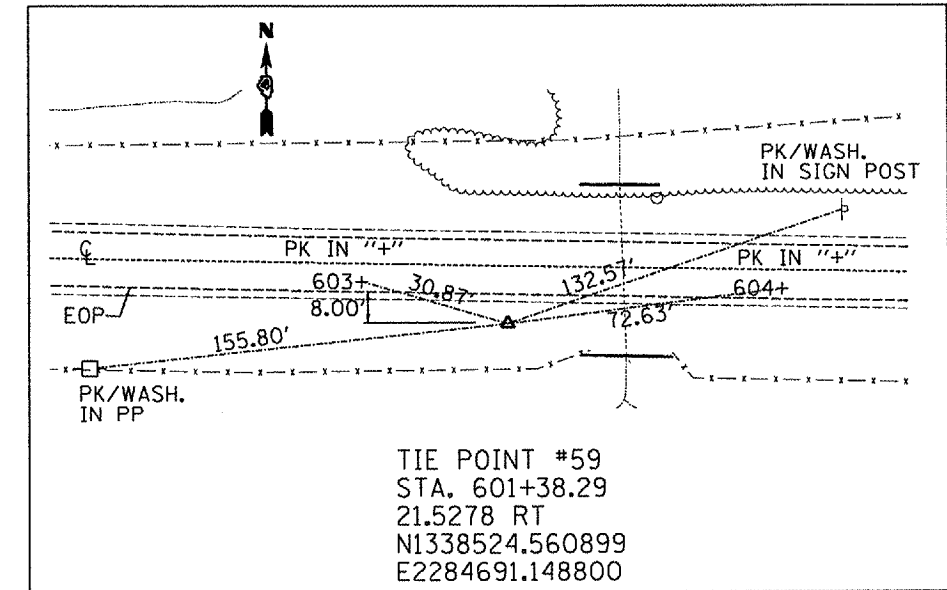
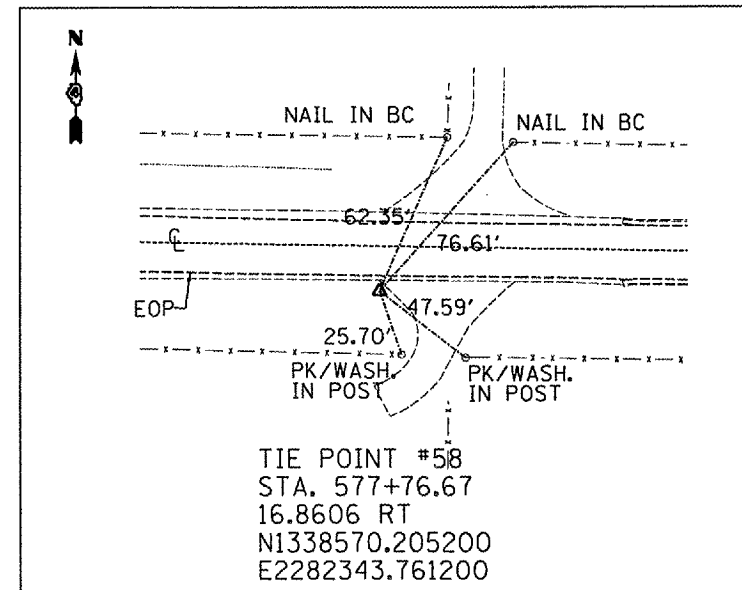
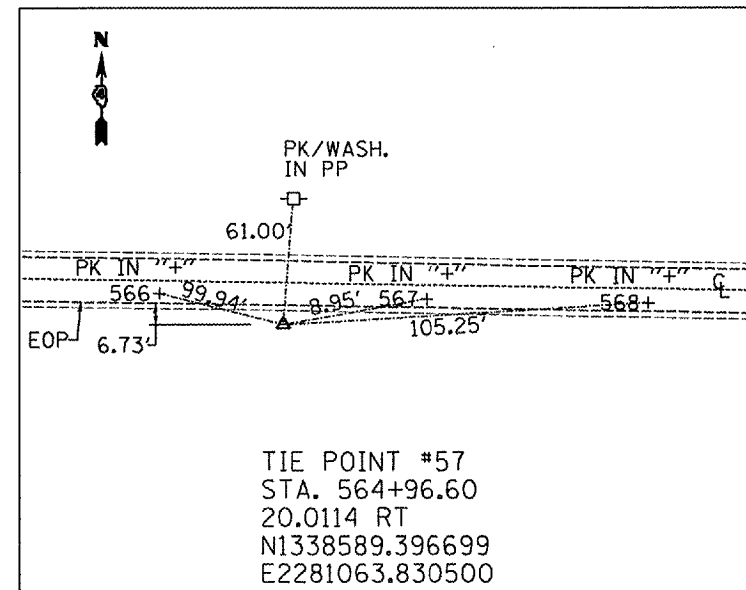
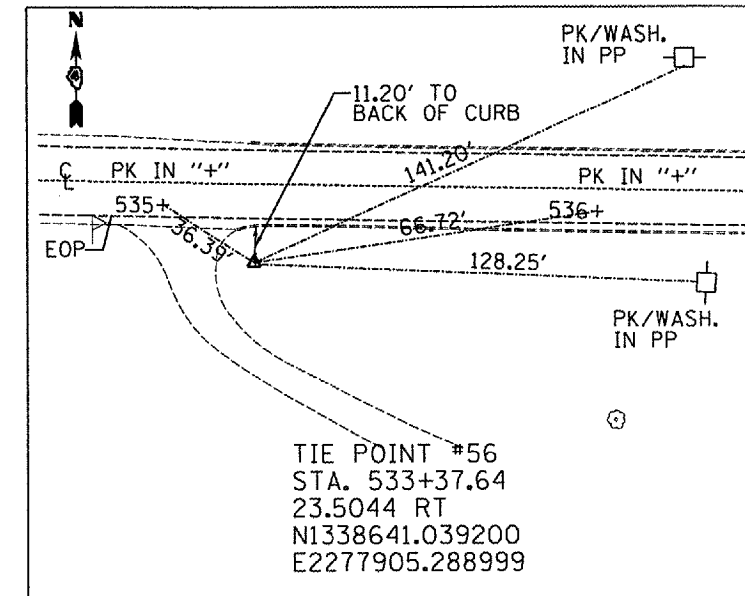
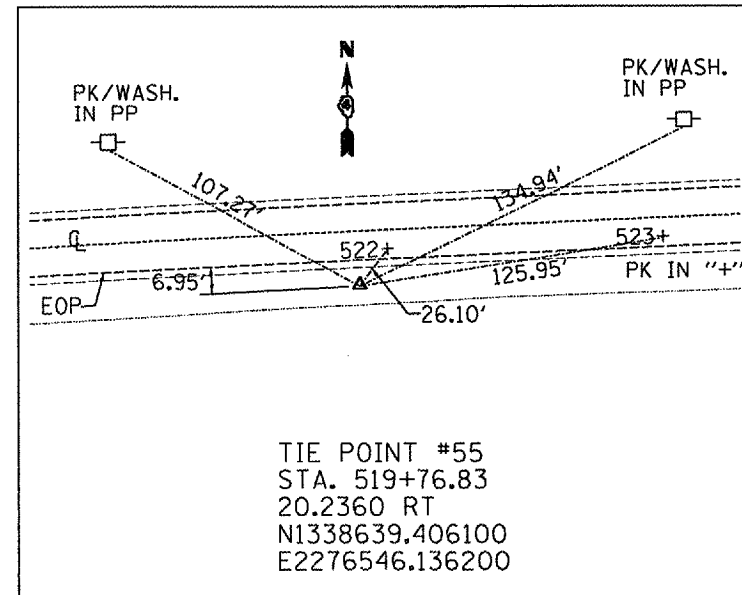
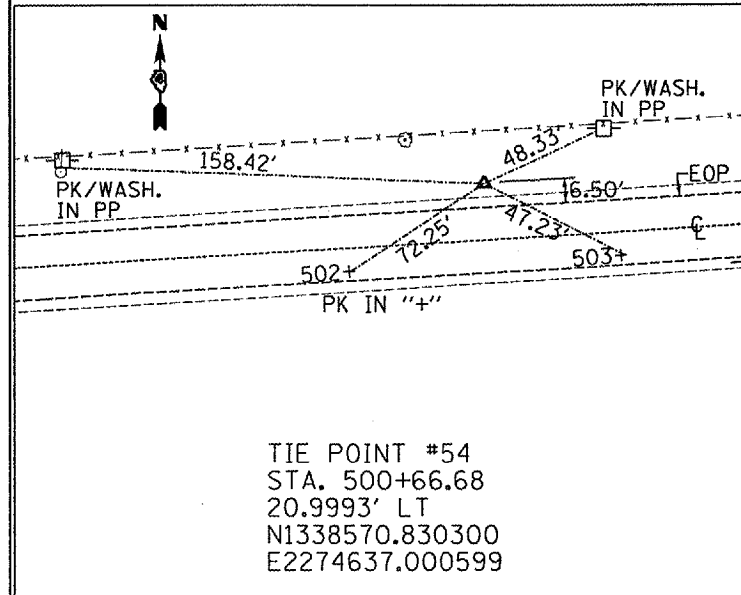


F.A. RTE.	SECTION	COUNTY	TOTAL SHEETS	SHEET NO.
315	*	FULTON	324	32
STA.		TO STA.		
FED. ROAD DIST. NO. 4		ILLINOIS FED. AID PROJECT		

*109W-1,RS-2;110W,RS-1



c:\projects\4136sum\4136cover.dgn

REVISIONS	
NAME	DATE

ILLINOIS DEPARTMENT OF TRANSPORTATION
**LINE DIAGRAM
 BENCHMARKS
 REFERENCE TIES**
 DRAWN BY CEM
 CHECKED BY
 DATE 09/11/2006