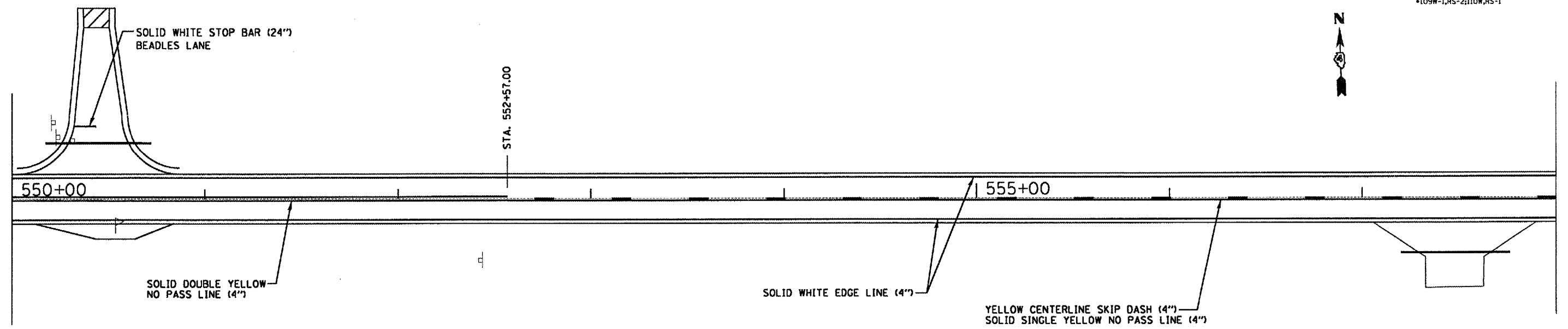
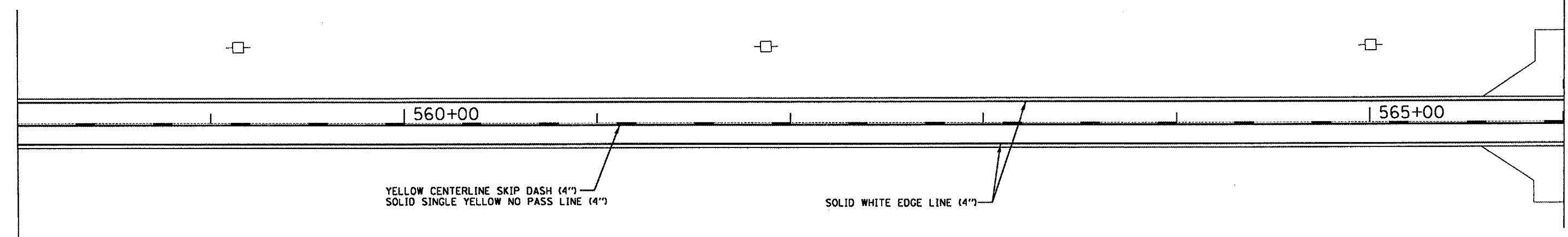


F.A.P. RTE.	SECTION	COUNTY	TOTAL SHEETS	SHEET NO.
315		FULTON	324	78
STA.		TO STA.		
FED. ROAD DIST. NO. 4		ILLINOIS		FED. AID PROJECT

*109W-1,RS-2;110W,RS-1



CONTRACTOR SHALL FIELD VERIFY EXISTING
PAVEMENT MARKINGS PRIOR TO COLDMILLING
RAISED REFLECTIVE PAVEMENT MARKERS
NOT SHOWN, SEE STANDARD



PAVEMENT MARKING PLAN
STA. 550+00 TO STA. 566+00

PLT DATE = 8/26/2007
PLT SCALE = 1/8"=1'-0"
USER NAME = mbrshrb02