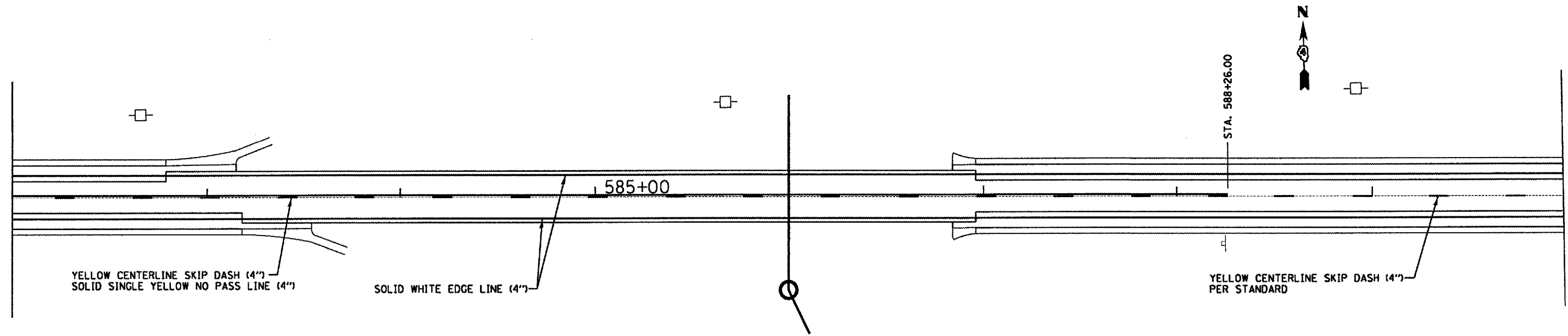
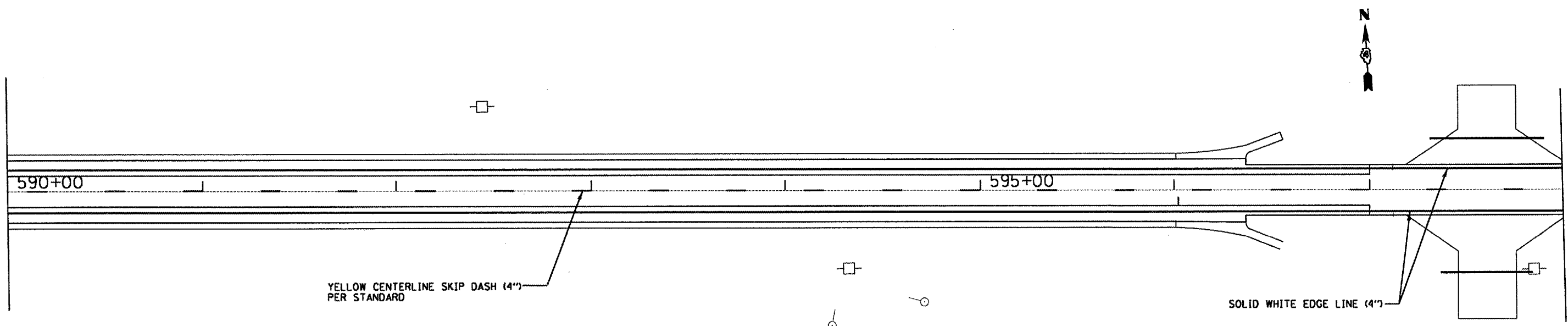


CONTRACT NO. 88518				
F.A.P. RTE.	SECTION	COUNTY	TOTAL SHEETS	SHEET NO.
315		FULTON	324	80
STA.		TO STA.		
FED. ROAD DIST. NO. 4		ILLINOIS FED. AID PROJECT		
*109W-1,RS-2;110W,RS-1				



CONTRACTOR SHALL FIELD VERIFY EXISTING PAVEMENT MARKINGS PRIOR TO COLDMILLING
 RAISED REFLECTIVE PAVEMENT MARKERS NOT SHOWN. SEE STANDARD



PAVEMENT MARKING PLAN
 STA. 582+00 TO STA. 598+00

DATE = 8/28/2007
 FILE NAME = \\s136\un\136\pav\136pavmark.dwg
 PLOT SCALE = 54.8538 / IN.
 USER NAME = markhardie