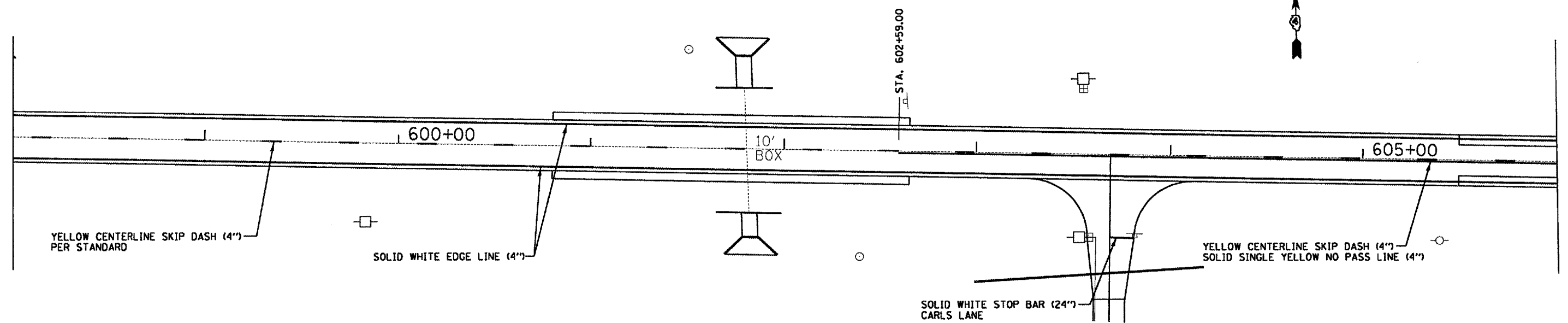
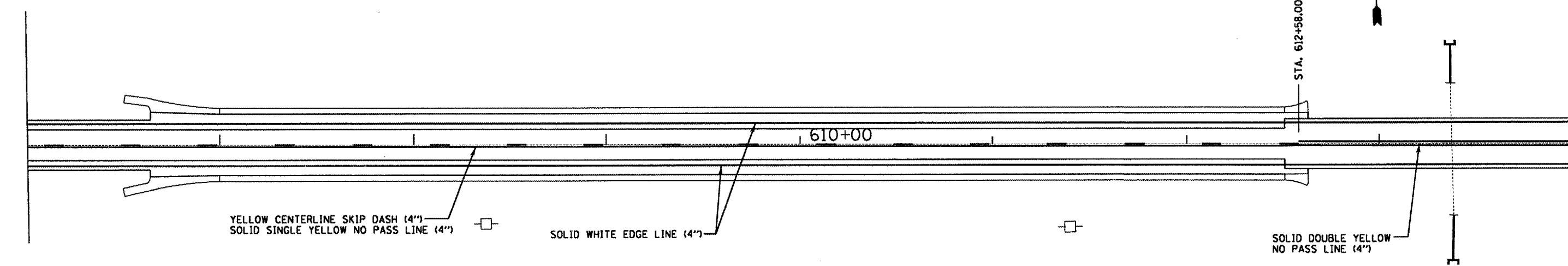


F.A.P. RTE.	SECTION	COUNTY	TOTAL SHEETS	SHEET NO.
315		FULTON	324	81
STA.		TO STA.		
FED. ROAD DIST. NO. 4		ILLINOIS	FED. AID PROJECT	

*109W-1,RS-2;110W,RS-1



CONTRACTOR SHALL FIELD VERIFY EXISTING PAVEMENT MARKINGS PRIOR TO COLDMILLING
 RAISED REFLECTIVE PAVEMENT MARKERS NOT SHOWN. SEE STANDARD



PAVEMENT MARKING PLAN
 STA. 598+00 TO STA. 614+00

PLT DATE = 8/26/2007
 PLOT SCALE = 1"=40'
 USER NAME = mshaharide