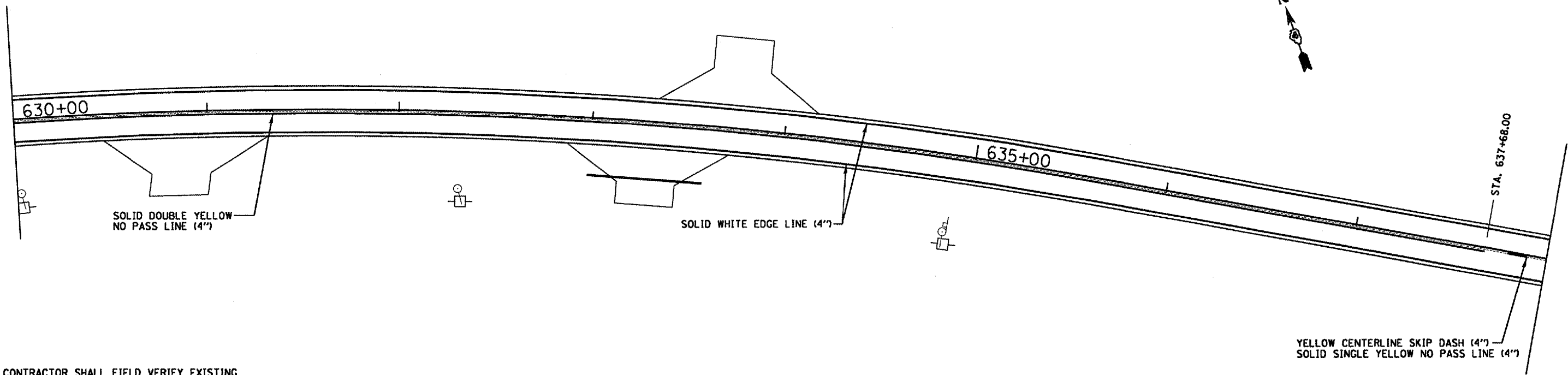
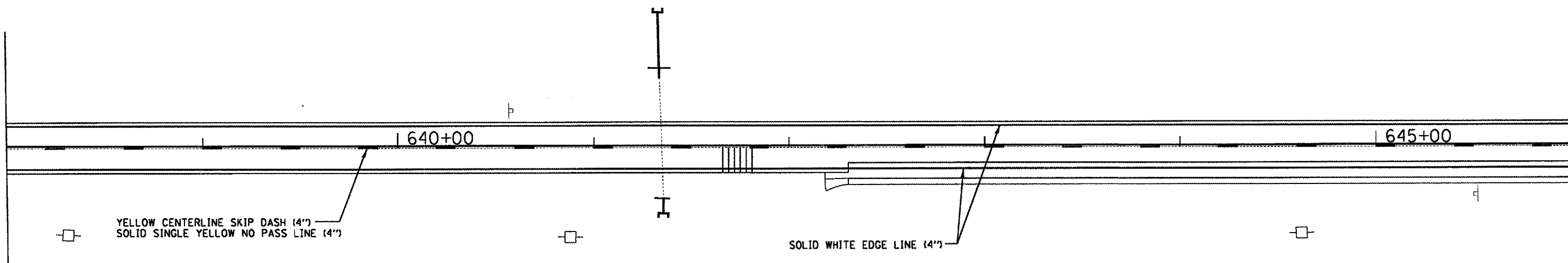


F.A.P. RTE.	SECTION	COUNTY	TOTAL SHEETS	SHEET NO.
315	.	FULTON	324	83
STA.		TO STA.		
FED. ROAD DIST. NO. 4		ILLINOIS FED. AID PROJECT		

\*109W-1,RS-2;110W,RS-1



CONTRACTOR SHALL FIELD VERIFY EXISTING  
PAVEMENT MARKINGS PRIOR TO COLDMILLING  
RAISED REFLECTIVE PAVEMENT MARKERS  
NOT SHOWN, SEE STANDARD



PAVEMENT MARKING PLAN  
STA. 630+00 TO STA. 646+00

PLOT DATE = 8/28/2007  
PLOT SCALE = 1/4" = 100'  
USER NAME = mshaharide