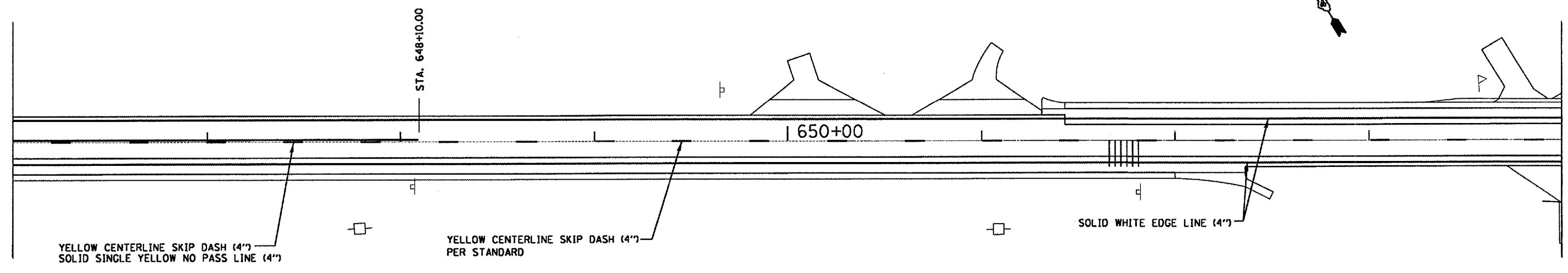
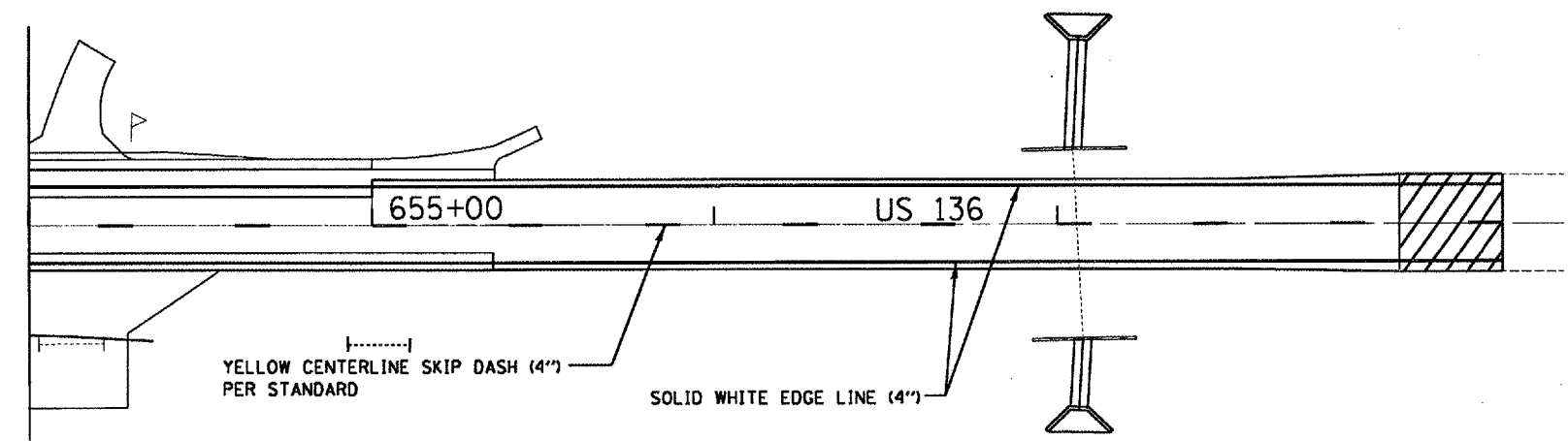


F.A.P. RTE.	SECTION	COUNTY	TOTAL SHEETS	SHEET NO.
315	.	FULTON	324	84
STA.		TO STA.		
FED. ROAD DIST. NO. 4		ILLINOIS FED. AID PROJECT		
*109W-1,RS-2;110W,RS-1				



CONTRACTOR SHALL FIELD VERIFY EXISTING PAVEMENT MARKINGS PRIOR TO COLDMILLING
 RAISED REFLECTIVE PAVEMENT MARKERS NOT SHOWN. SEE STANDARD



PAVEMENT MARKING PLAN
 STA. 646+00 TO STA. 658+30

PLOT DATE * 8/25/2007
 FILE NAME * s:\highways\unit324\unit324plan\unit324plan.dwg
 PLOT SCALE * 1/8"=1'-0"
 USER NAME * shahin@cdm.com