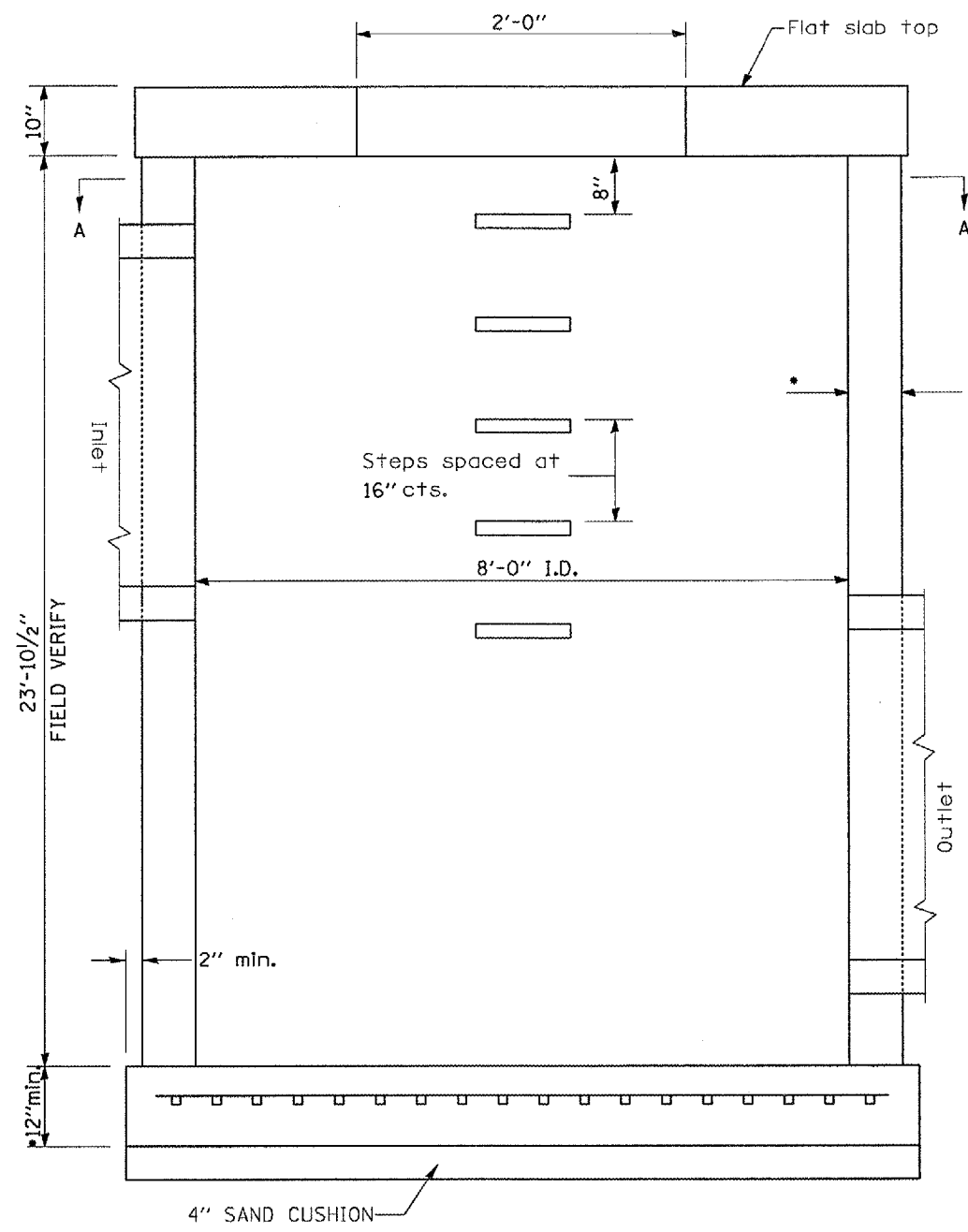
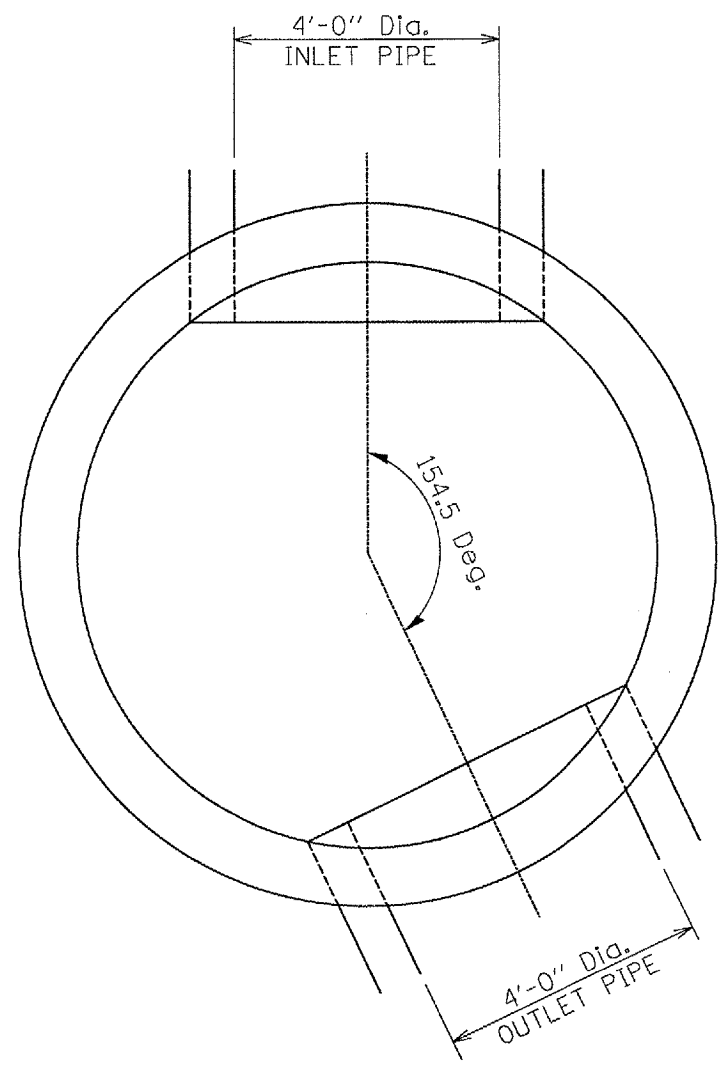


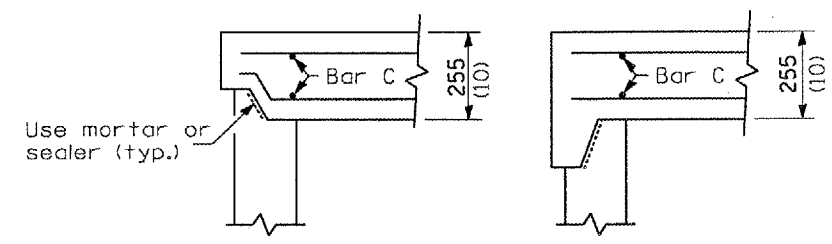
| | | | | |
|------------------------|---------|---------------------------|--------------|-----------|
| CONTRACT NO. 88518 | | | | |
| F.A.P. RTE. | SECTION | COUNTY | TOTAL SHEETS | SHEET NO. |
| 315 | . | FULTON | 324 | 99 |
| STA. | | TO STA. | | |
| FED. ROAD DIST. NO. | | ILLINOIS FED. AID PROJECT | | |
| *109W-1,RS-2,110W,RS-1 | | | | |



ELEVATION



**SECTION A-A
PLAN**



ALTERNATE JOINT CONFIGURATIONS

* Concrete Manhole, Manhole Base, and Flat Slab Top shall be precast and conform to the requirements of Articles 1042.03(b) and 1042.10 of the Standard Specs. Thickness of manhole and manhole base to be determined by the precast manufacturer.

GENERAL NOTES

Subgrade and Subbase shall be compacted to the satisfaction of the engineer prior to placement of manhole base and manhole

Lifting devices shall be approved by the Engineer.

Bottom slabs shall be reinforced with a minimum of 1390 sq. mm/m (0.655 sq. in./ft.) in both directions.

See Standard 602701 for details of manhole steps.

**MANHOLE TYPE A
2.4 m (8') DIAMETER**

(Sheet 1 of 2)

PLOT DATE = 9/25/2007
 FILE NAME = c:\projects\1074228\1074228.dgn
 PLOT SCALE = 1074228 / 1
 USER NAME = msharada