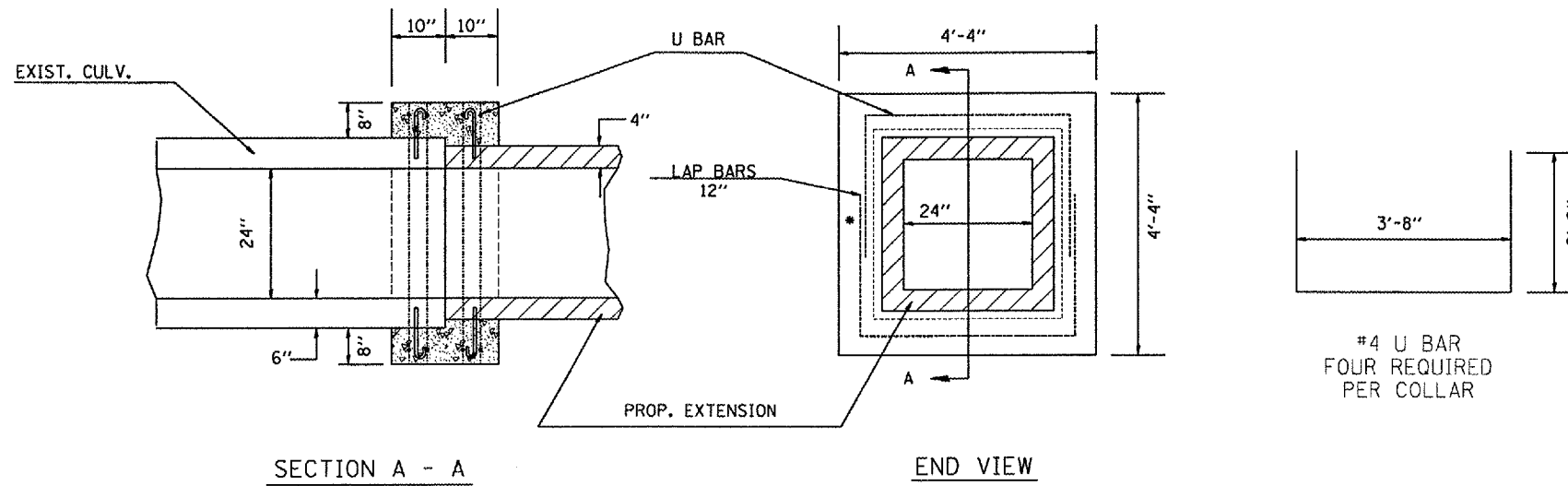


F.A.P. RTE.	SECTION	COUNTY	TOTAL SHEETS	SHEET NO.
315		FULTON	324	104
STA.		TO STA.		
FED. ROAD DIST. NO. 4 ILLINOIS FED. AID PROJECT				
*109W-1,RS-2;110W,RS-1				



DOWNSTREAM EXTENSION ONLY

GENERAL NOTES

1. The collar shall be constructed entirely of CLASS SI CONCRETE and in accordance with the applicable portions of section 503 of the Standard Specifications. REINFORCEMENT BARS shall conform to section 508.
2. PRIOR TO PLACEMENT OF EXTENSION, REMOVE EXISTING HEADWALL AND CULVERT TO A DEPTH OF 5 FT. FROM FACE OF EXISTING OUTLET.
3. Expansion bolts shall consist of approved expansion anchors, and M20 (3/4") hook bolts which conform to Section 1006.09. These bolts shall extend at least 6" into the new concrete.

CONCRETE COLLAR			
	CLASS SI CONCRETE	REINF. BARS, EPOXY COATED	EXPANSION BOLTS 3/4"
LOCATION	CU. YD.	POUND	EACH
LT. STA. 641+33.80	0.83	42	16

\$\$\$DATE\$\$\$

BGN:ONLY

ILLINOIS DEPARTMENT OF TRANSPORTATION

CONCRETE COLLAR DETAIL
STA. 641+33.80 LT

DATE 03/27/2006
SCALE: NOT DRAWN TO SCALE

DRAWN BY CEM
CHECKED BY