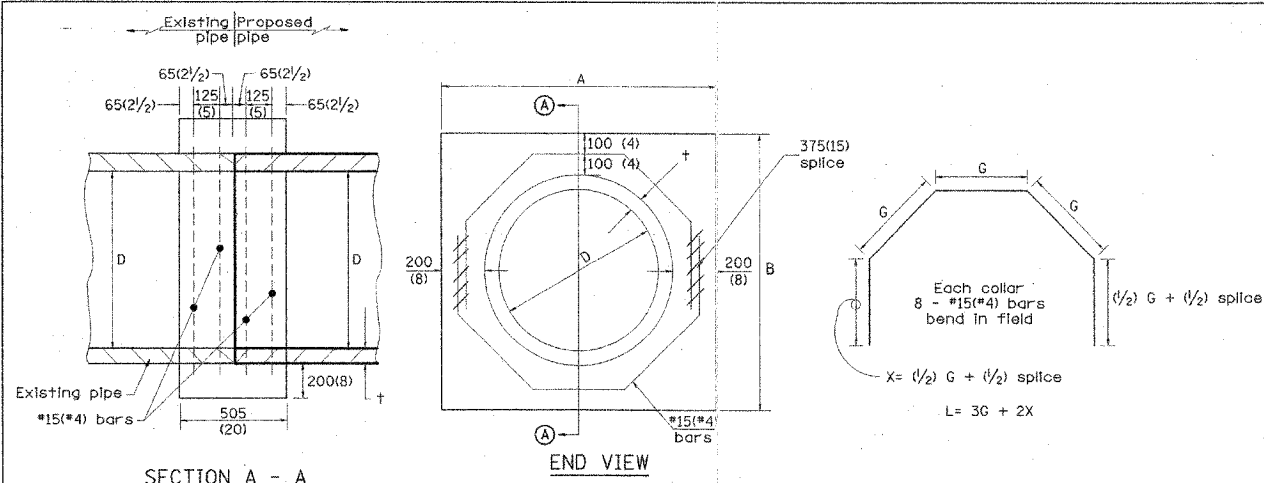


F.A.S. RTE.	SECTION	COUNTY	TOTAL SHEETS	SHEET NO.
556	04-00119-03-BR	SANGAMON	26	5
STA. N/A		TO STA. N/A		
FED. ROAD DIST. NO. 5 ILLINOIS FED. AID PROJECT				



SECTION A - A

END VIEW

D		t		A		B		CL. SI CONC.		Reinforcement Bars		Weight kg (lb)
m (ln)	m (ln)	m (ft)	m (ft)	m ³ (cu. yd)	m (ln)	m (ln)	m (ft)	m ³ (cu. yd)	m (ln)	m (ln)		
300 (12)	51 (2.00)	0.814 (2.67)	0.814 (2.67)	0.270 (0.4)	253 (9 3/8)	317 (12 1/2)	1.393 (4.57)	11 (24)	290 (11 3/8)	335 (13 1/8)	1.541 (5.05)	12 (27)
375 (15)	57 (2.25)	0.902 (2.96)	0.902 (2.96)	0.315 (0.4)	290 (11 3/8)	335 (13 1/8)	1.541 (5.05)	12 (27)	327 (12 1/2)	354 (13 7/8)	1.689 (5.54)	14 (30)

GENERAL NOTES

- THE COLLAR SHALL BE CONSTRUCTED ENTIRELY OF CLASS SI CONCRETE IN ACCORDANCE WITH THE APPLICABLE PORTIONS OF SECTION 503 OF THE STANDARD SPECIFICATIONS. REINFORCEMENT BARS SHALL CONFORM TO SECTION 508.

PIPE CULVERT EXTENSION COLLAR

EARTHWORK SCHEDULE

LOCATION	EARTH EXCAVATION (CU YD)	EMBANKMENT (CU YD)	EARTHWORK BALANCE** EXCESS (+) SHORTAGE (-)
EAST MAIN ST.			
1014+20.00 - 1014+50.00	41.6	1.1	40.5
1014+50.00 - 1014+57.39	11.1	0.1	11.0
1014+57.39 - 1015+00.00	131.5	1.4	130.1
1015+00.00 - 1015+50.00	168.3	1.3	167.0
1015+50.00 - 1016+00.00	81.9	6.7	75.3
1016+00.00 - 1016+42.92	53.0	7.4	45.6
1016+42.92 - 1016+50.00	10.2	0.4	9.8
1016+50.00 - 1016+65.00	24.3	0.2	24.1
STATE ST.			
4+00.40 - 4+25.00	17.5	0.8	16.7
STRUCTURE EXCAVATION (SEPARATE PAY ITEM)			
	350.1	0.0	350.1
SUBTRACT FOR SPECIAL WASTE DISPOSAL (MISCELLANEOUS LOCATIONS)			
	-61.0	0.0	-61.0
GRAND TOTAL	478	19	459

REMOVAL SCHEDULE

STATION / LOCATION	GUARDRAIL REMOVAL (FOOT)	PIPE CULVERT REMOVAL (FOOT)	REMOVING INLETS (EACH)	RELOCATE SIGN PANEL ASSEMBLY TYPE A (EACH)
EAST MAIN ST.				
1015+02.40 - 1015+41.60 RT	39.2			
1015+86.77 - 1016+24.54 LT	39.3			
1014+65.52 - 1014+89.34 LT		23.9		
1014+89.34 - 1015+22.75 LT, RT		56.8		
1014+23.54 - 1015+41.75 RT		118.2		
1015+13.60 - 1015+49.20 RT		38.0		
1015+83.78 - 1016+41.35 RT		57.4		
1016+34.94 - 1016+47.46 LT		12.8		
1014+65.52 - 23.10' LT			1	
1015+13.60 - 25.16' RT			1	
1014+74.90 - 32.60' LT				1
1015+20.42 - 41.09' LT				1
1015+23.95 - 21.71' LT				1
1015+71.19 - 17.90' LT				1
TOTALS	79	307	2	4

LANDSCAPING SCHEDULE

STATION / LOCATION	TOPSOIL FURNISH AND PLACE (SQ YD)	SEEDING CLASS 2 (ACRE)	NITROGEN FERTILIZER NUTRIENT (POUND)	PHOSPHORUS FERTILIZER NUTRIENT (POUND)	POTASSIUM FERTILIZER NUTRIENT (POUND)	AGRICULTURAL GROUND LIMESTONE (TON)	EROSION CONTROL BLANKET (SQ YD)
EAST MAIN ST.							
1012+79.26 TO 1014+20.13 RT	160.0	0.08	7	7	7	0.2	160.0
1014+84.75 TO 1016+41.03 RT	140.9	0.08	7	7	7	0.2	140.9
1015+78.90 TO 1016+36.96 LT	106.8	0.06	5	5	5	0.1	106.8
STATE ST.							
4+00.40 TO 4+62.22 LT	58.4	0.03	3	3	3	0.1	58.4
TOTALS	466	0.25	23	23	23	0.5	466



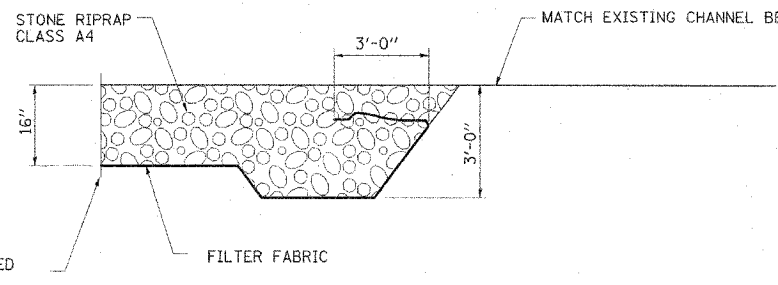
SIGN NUMBER	LOCAL BUSINESS OPEN
WIDTH x HIGHT.	5'-0" x 3'-0"
BORDER WIDTH	0.88"
CORNER RADIUS	3"
MOUNTING	Ground
BACKGROUND	TYPE: Reflective COLOR: Orange
LEGEND/BORDER	TYPE: Reflective COLOR: Black/Black

Panel Style: construction_guide.ssi
Dimensions are in inches.tenths

Letter locations are paneledge to lower left corner

LETTER POSITIONS (X)					LENGTH	SERIES/SIZE
L	O	C	A	L	23.6	C 2000
18.2	22.6	28	32.8	38.2		
B	U	S	I	N	45.9	C 2000
7	12.2	17.3	22.4	24.9	30.4	34.8
					39.5	44.6
O	P	E	N		19.5	C 2000
20.2	25.8	31.1	35.8			

SPECIAL SIGN PANEL DETAIL



FACE OF PROPOSED STRUCTURE

CONSTRUCTION SHALL BE IN ACCORDANCE WITH SECTION 281 AND 282 OF THE STANDARD SPECIFICATIONS EXCEPT THAT NO BEDDING MATERIAL SHALL BE USED

SEE ROADWAY PLAN AND PROFILE SHEET FOR LOCATIONS

CHANNEL RIPRAP TYPICAL SECTION

REVISIONS		ILLINOIS DEPARTMENT OF TRANSPORTATION
NAME	DATE	
		<p>QUANTITY SCHEDULES AND CONSTRUCTION DETAILS</p> <p>SCALE: NONE DRAWN BY: GLD DATE: 10/15/07 CHECKED BY: JMM</p>