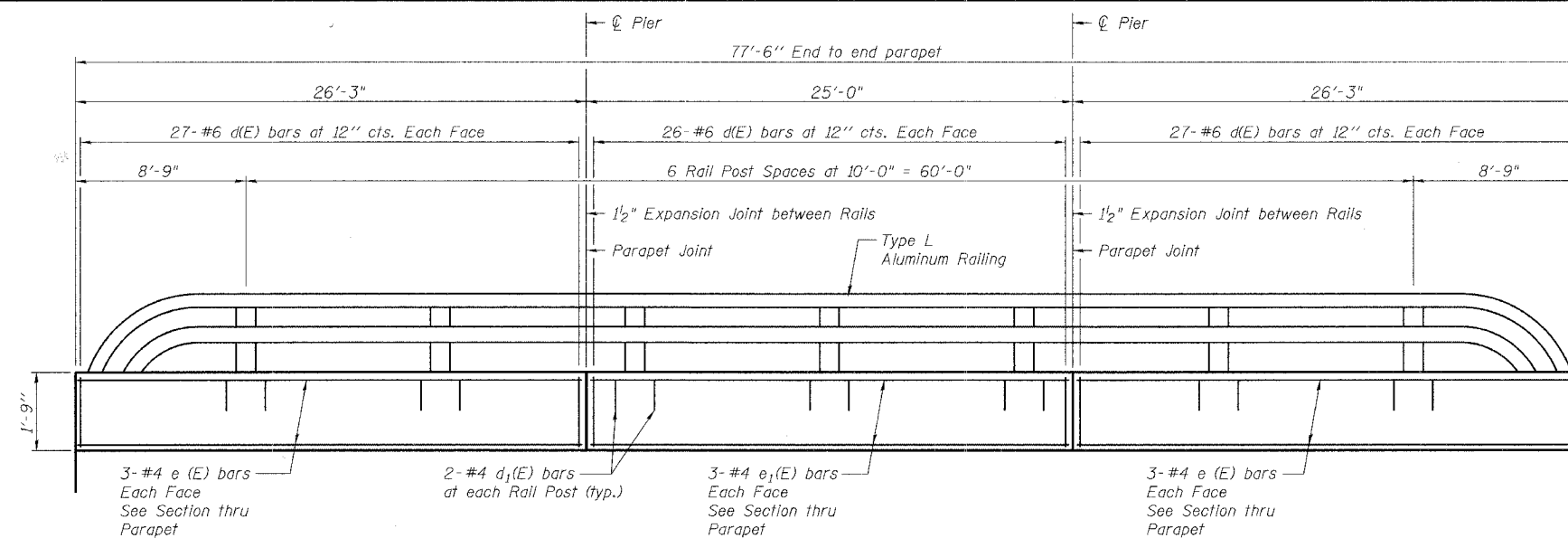
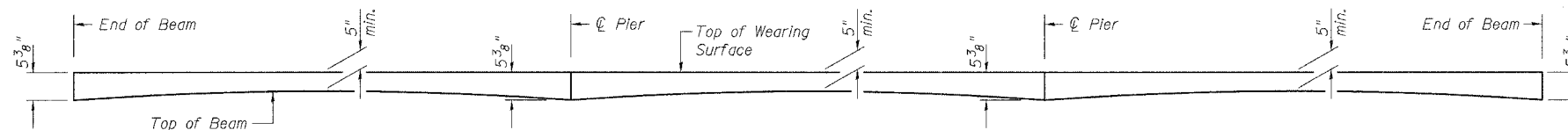
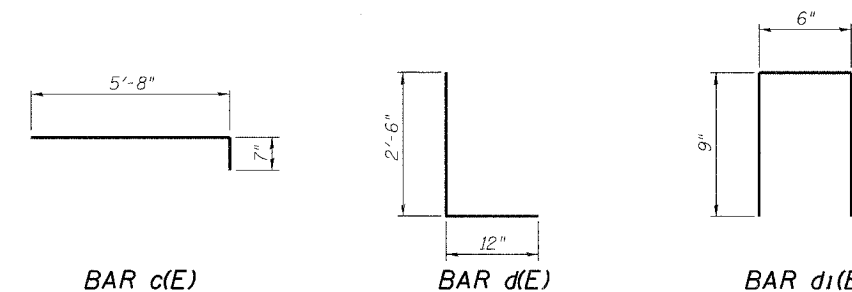


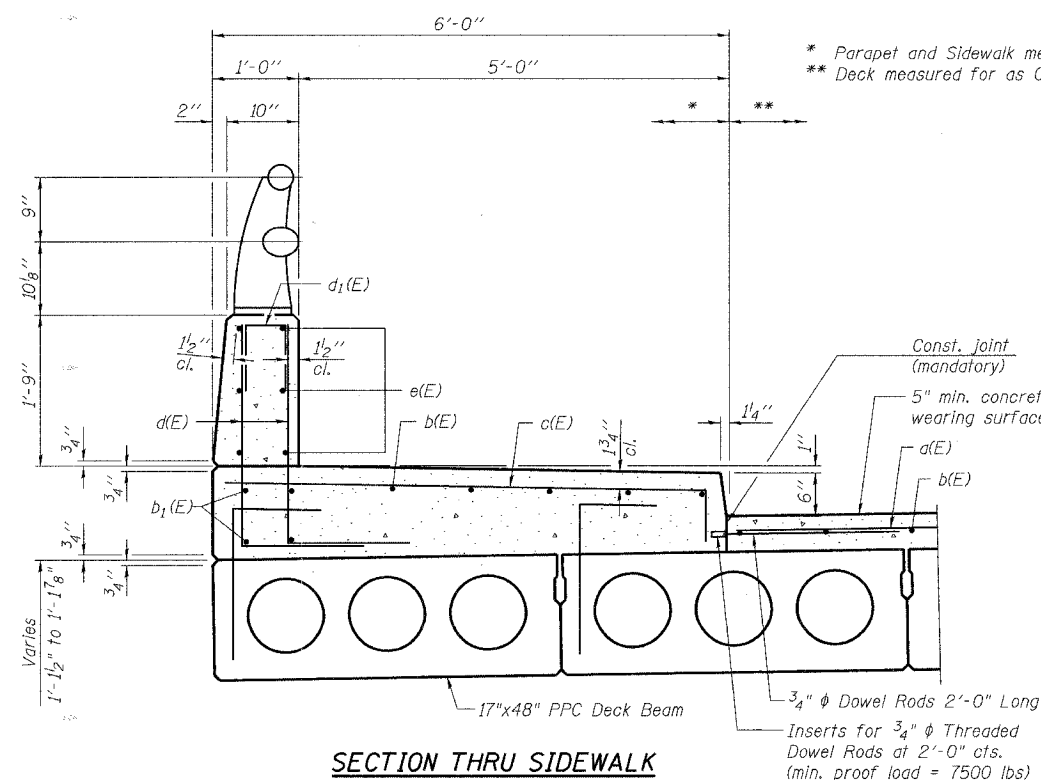
RTE.	SECTION	COUNTY	TOTAL SHEETS	SHEET NO.
9th	05-00142-00-BR	COLES	16	8
STA. 14+00		TO STA. 15+80		



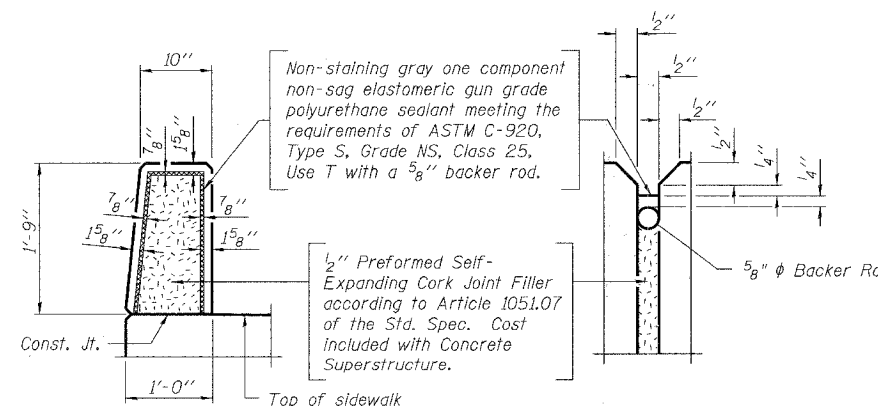
INSIDE ELEVATION OF PARAPET



REINFORCED CONCRETE WEARING SURFACE PROFILE



SECTION THRU SIDEWALK



PARAPET JOINT DETAILS

SUPERSTRUCTURE BILL OF MATERIAL

Bar	No.	Size	Length	Shape	
a(E)	75	#5	46'-0"	—	
a1(E)	2	#5	46'-8"	—	
b(E)	141	#5	26'-5"	—	
b1(E)	48	#6	27'-0"	—	
c(E)	158	#5	6'-3"	—	
d(E)	308	#6	3'-6"	L	
d1(E)	28	#4	2'-0"	Π	
e(E)	24	#4	26'-0"	—	
e1(E)	12	#4	25'-4"	—	
Reinforcement Bars, Epoxy Coated				Pound	12835
Concrete Superstructure				Cu. Yds.	45.0
Concrete Wearing Surface				Sq. Yds.	305

NOTES

The curb inserts and threaded dowel rods may be either epoxy coated or galvanized and the cost shall be included with Concrete Superstructure.

REVISIONS	
NAME	DATE

ILLINOIS DEPARTMENT OF TRANSPORTATION
SUPERSTRUCTURE DETAILS
 9th St. Over Kickapoo Creek
 SECTION 05-00142-00-BR
 CITY OF MATTOON STA. 14+95
 STRUCTURE NO. 015-6339

SCALE: N.T.S.
 DATE

DRAWN BY
 CHECKED BY