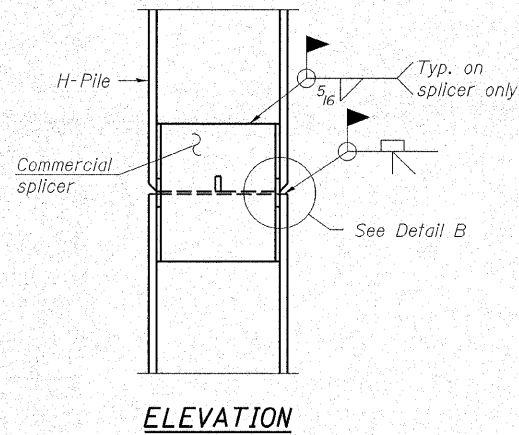
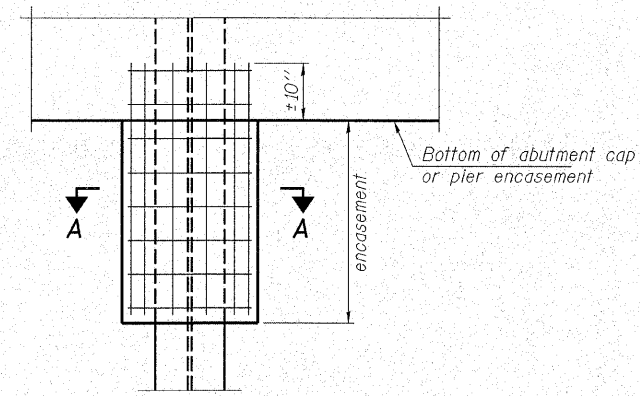


**STEEL PILE TABLE**

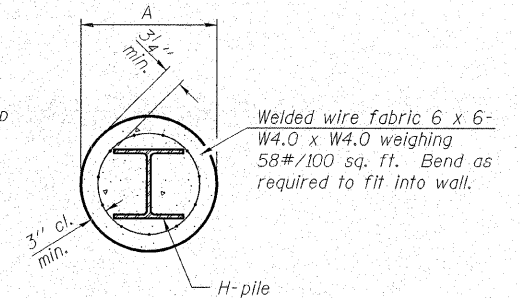
Designation	Depth d	Flange width bf	Web and Flange thickness t	Encasement diameter A
HP 14x117	14 1/4"	14 7/8"	13/16"	30"
x102	14"	14 3/4"	11/16"	30"
x89	13 7/8"	14 3/4"	5/8"	30"
x73	13 5/8"	14 5/8"	1/2"	30"
HP 12x84	12 1/4"	12 1/4"	11/16"	24"
x74	12 1/8"	12 1/4"	5/8"	24"
x63	12"	12 1/8"	1/2"	24"
x53	11 3/4"	12"	7/16"	24"
HP 10x57	10"	10 1/4"	9/16"	24"
x42	9 3/4"	10 1/8"	7/16"	24"
HP 8x36	8"	8 1/8"	7/16"	18"



**ELEVATION**



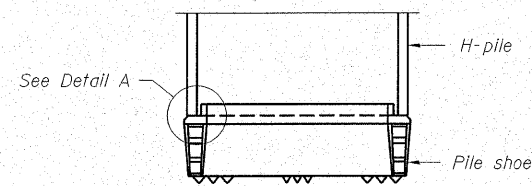
**ELEVATION**



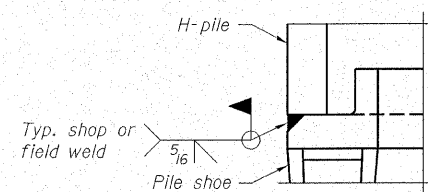
**SECTION A-A**

Note:  
Forms for encasement may be omitted when soil conditions permit.

**PILE ENCASEMENT**

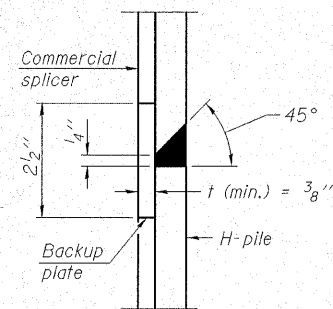


**ELEVATION**



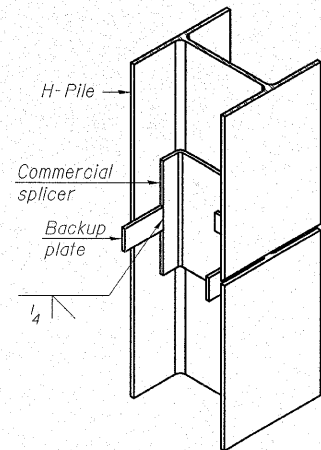
**DETAIL A**

**H-PILE SHOE ATTACHMENT**

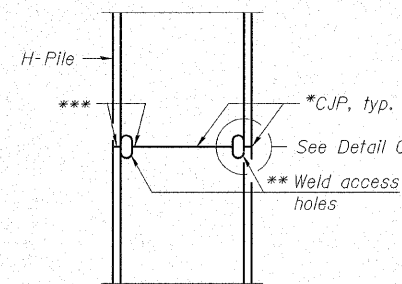


**DETAIL "B"**

**WELDED COMMERCIAL SPLICE**

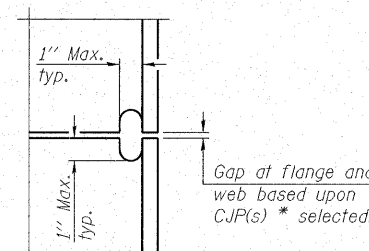


**ISOMETRIC VIEW**

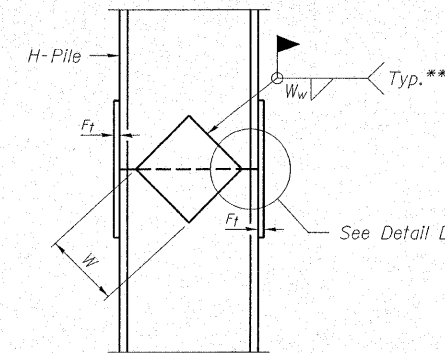


**ELEVATION**

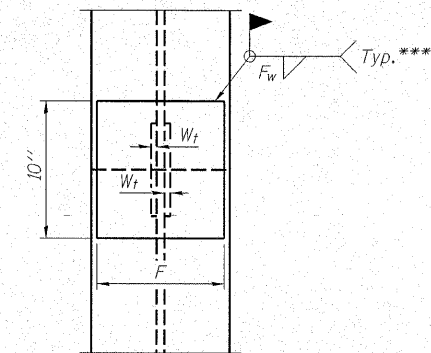
**COMPLETE PENETRATION WELD SPLICE**



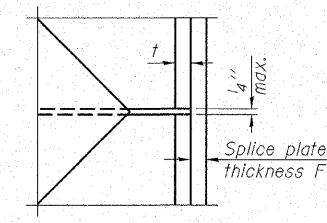
**DETAIL C**



**ELEVATION**



**END VIEW**



**DETAIL D**

**WELDED PLATE FIELD SPLICE**

Note:  
The steel H-piles shall be according to AASHTO M270 Grade 50.

Designation	F	Ft	Fw	W	Wt	Ww
HP 14x117	12 1/2"	1"	7/8"	7 3/4"	5 1/2"	1/2"
x102	12 1/2"	7/8"	3/4"	7 3/4"	5 1/2"	1/2"
x89	12 1/2"	3/4"	1/16"	7 3/4"	5 1/2"	1/2"
x73	12 1/2"	5/8"	9/16"	7 3/4"	5 1/2"	1/2"
HP 12x84	10"	7/8"	1/16"	6 1/2"	5 1/2"	1/2"
x74	10"	7/8"	1/16"	6 1/2"	5 1/2"	1/2"
x63	10"	5/8"	1/2"	6 1/2"	1/2"	3/8"
x53	10"	5/8"	1/2"	6 1/2"	1/2"	3/8"
HP 10x57	8"	3/4"	9/16"	5 1/4"	1/2"	3/8"
x42	8"	5/8"	9/16"	5 1/4"	1/2"	3/8"
HP 8x36	7"	5/8"	7/16"	4 1/4"	1/2"	3/8"

- \* Use joint conforming to Figure 3.4 in AWS D1.1, Structure Welding Code - Steel.
- \*\* Preparation per Fig. 5.2 in AWS D1.1, Structure Welding Code - Steel.
- \*\*\* Interrupt welds 1/4" from end of each pile.

**HAMPTON, LENZINI & RENWICK, INC.**  
 CIVIL & STRUCTURAL ENGINEERS  
 LAND SURVEYORS  
 3085 STEVENSON DRIVE, SUITE 201  
 SPRINGFIELD, ILLINOIS 62703  
 (217) 546-3400

**ELGIN • SPRINGFIELD**

PROJECT NUMBER: 12-23-0026-1    DATE: 10/30/07  
 DESIGNED: R.J.P.    CHECKED: S.W.M.    DRAWN: D.T.M.

**STEEL H-PILE DETAILS**

SECTION 06-06109-00-BR  
 DOUGLAS ROAD DISTRICT  
 CLARK COUNTY

STRUCTURE NO. 012-3329 / STATION 10+00