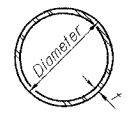


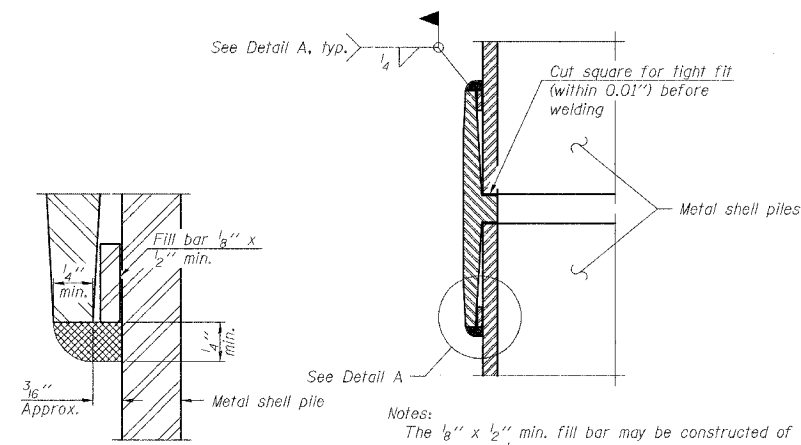
ROUTE NO.	SECTION	COUNTY	TOTAL SHEETS	SHEET NO.
T.R. 256	06-III6-00-BR	MACON	14	14
FED. ROAD DIST. NO.	ILLINOIS PROJECT: BROS-115(63)			

CONTRACT NO. 95530



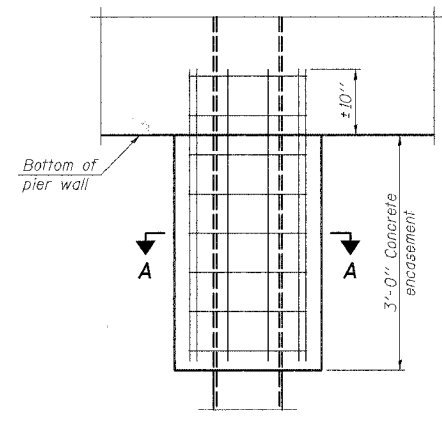
METAL SHELL PILE TABLE

Designation	Wall thickness <i>t</i>	Weight per foot (Lbs./ft.)	Inside volume (yd. ³ /ft.)	Encasement diameter A
PP12	0.250"	31.37	0.0267	30"
PP14	0.250"	36.71	0.0368	30"

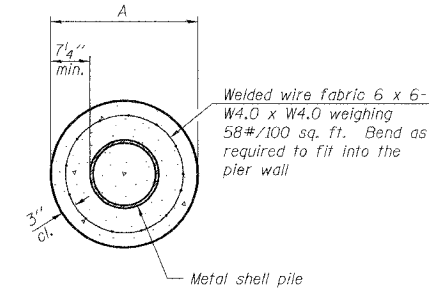


Notes:
 The $\frac{1}{8}$ " x $\frac{1}{2}$ " min. fill bar may be constructed of 2 bars with a $\frac{1}{8}$ " max. gap between them.
 Pile segments shall be driven to solid contact with splicer before welding.

WELDED COMMERCIAL SPLICE



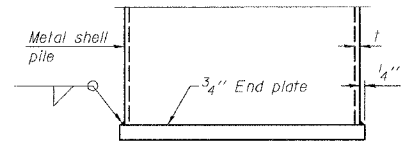
ELEVATION



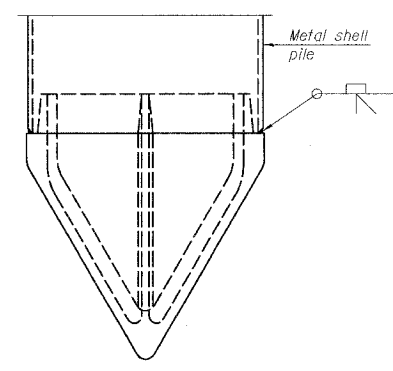
SECTION A-A

Notes:
 See Metal Shell Pile Table for dimension "A".
 Forms for encasement may be omitted when soil conditions permit.

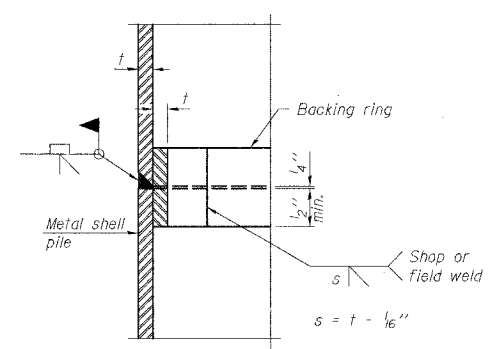
CONCRETE ENCASEMENT AT PIERS



END PLATE ATTACHMENT

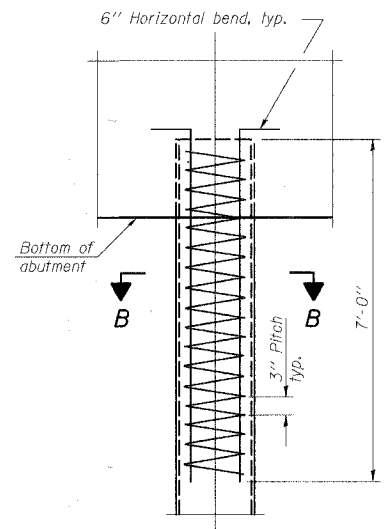


METAL SHELL PILE SHOE ATTACHMENT

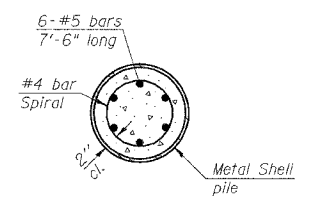


COMPLETE PENETRATION WELD SPLICE

Backing ring made from pile shell. Remove segment to allow reducing circumference and vertically rejoin with partial joint penetration weld.



ELEVATION



SECTION B-B

METAL SHELL REINFORCEMENT AT ABUTMENTS

Note:
 The metal shell piles shall be according to ASTM A 252 Grade 3.

PILE DETAILS			
Date	Designed MJP	T.R. 256 OVER BIG CREEK SECTION 06-III6-00-BR MACON COUNTY STA. 15+01.90 PROP. STR. NO. 058-3389	Sheet No.
Revisions	Drawn BKN		5
	Checked KWB		
	Approved KWB		
Prepared by: URS	345 East Ash Avenue Decatur, Il. 62526		
		URS Job No.	36431783