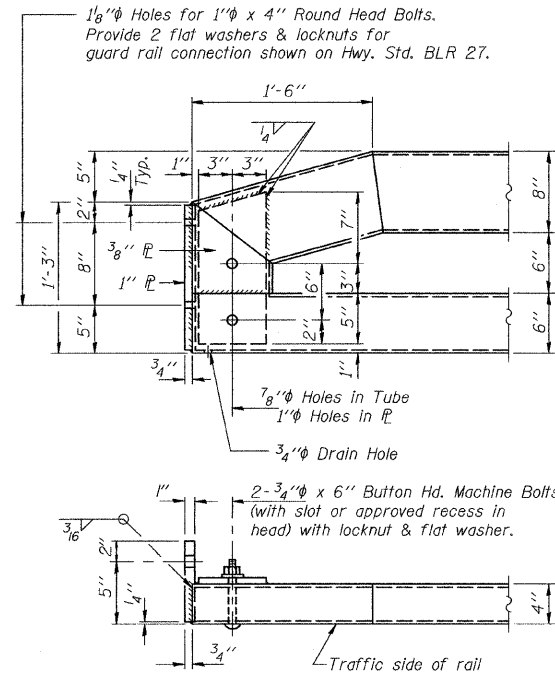


FAS ROUTE	IDOT SECTION	COUNTY
1857	04-00071-00-BR	MONROE
FEDERAL AID PROJECT	ILLINOIS	
IDOT JOB NO.	BR-RS-1857(121)	
IDOT CONTRACT NO.	97323	



END OF RAIL DETAILS

This detail modifies Standard CR-TSM.
Also see Hwy. Std. BLR 27 for additional information.

THOUVENOT, WADE & MOERCHEN, INC.
ENGINEERS • SURVEYORS • PLANNERS



CORPORATE OFFICE
4940 OLD COLLINSVILLE RD.
SWANSEA, ILLINOIS 62226
TEL (618) 624-4488
FAX (618) 624-6688
corp@twm-inc.com

EDWARDSVILLE OFFICE
1015B CENTURY DRIVE
EDWARDSVILLE, ILLINOIS 62025
TEL (618) 656-4040
FAX (618) 656-4343
edwardsville@twm-inc.com

ST. LOUIS OFFICE
1001 CRAIG ROAD, SUITE 260
ST. LOUIS, MISSOURI 63146
TEL (314) 236-5052
FAX (314) 872-2194
stlouis@twm-inc.com

WATERLOO OFFICE
113 SOUTH MAIN STREET
WATERLOO, ILLINOIS 62298
TEL (618) 939-5050
FAX (618) 939-3938
waterloo@twm-inc.com

PROFESSIONAL REGISTRATIONS	LICENSE NO.
ILLINOIS PROFESSIONAL DESIGN FIRM	184-001220
PROFESSIONAL ENGINEERING CORP.	62-035370
PROFESSIONAL STRUCTURAL ENGR. CORP.	81-005202
ILLINOIS PROF. LAND SURVEYING CORP.	048-000029
MISSOURI PROFESSIONAL ENGR. CORP.	NC 001528
MISSOURI LAND SURVEYING CORP.	NC 000346

SEAL

FINAL

Signature:
Signature Date:
Expiration Date:

STATEMENT OF RESPONSIBILITY
I hereby confirm that the document herein to be authenticated by my seal is restricted to this sheet, and I hereby disclaim any responsibility for all other drawings, specifications, estimates, reports or other documents or instruments relating to or intended to be utilized for any other part of the architectural, engineering or survey project.

TITLE: **BRIDGE DETAILS
F.A.S. 1857 (BLUFF RD./CTY. HWY. #6)
OVER FOUNTAIN CRK. (STA. 307+66.38)**

PROJECT: **BLUFF ROAD (CTY. HWY. 6)
BRIDGE REPLACEMENT
OVER FOUNTAIN CREEK
MONROE COUNTY, IL**

REV.	DATE	DESCRIPTION
△		
△		
△		

DRAWN BY: KBF	SHEET
DESIGNED BY: ALN	30
CHECKED BY: KPC	OF 67 SHEETS
APPROVED BY: KPC	PROJECT DESCRIPTION
PROJECT NUMBER: T16-040125	BLUFF RD. BRIDGE OVER FOUNTAIN CRK.
<input type="checkbox"/> ISSUED FOR REVIEW	<input type="checkbox"/> ISSUED FOR BIDDING
<input checked="" type="checkbox"/> ISSUED FOR CONSTR.	<input type="checkbox"/> RECORD DRAWING