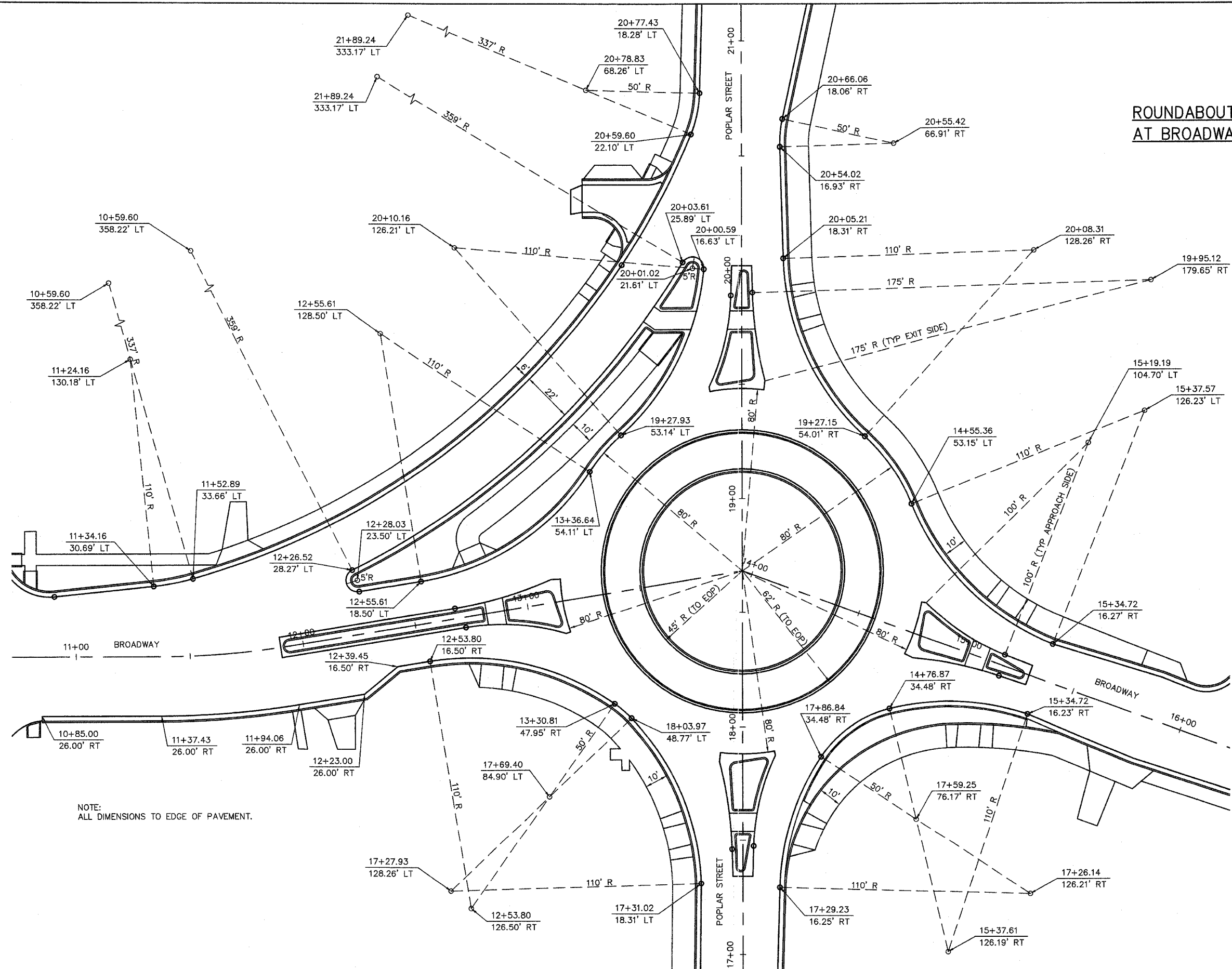


F.A.U. RTE.	SECTION	COUNTY	TOTAL SHEETS	SHEET NO.
8852	06-00056-01-WR	MADISON	81	44
STA.		TO STA.		
FED. ROAD DIST. NO.		ILLINOIS	FED. AID PROJECT	
INTERSECTION DETAILS				
CONTRACT NO. 97324				

## ROUNABOUT INTERSECTION AT BROADWAY AND POPLAR



NOTE:  
ALL DIMENSIONS TO EDGE OF PAVEMENT.