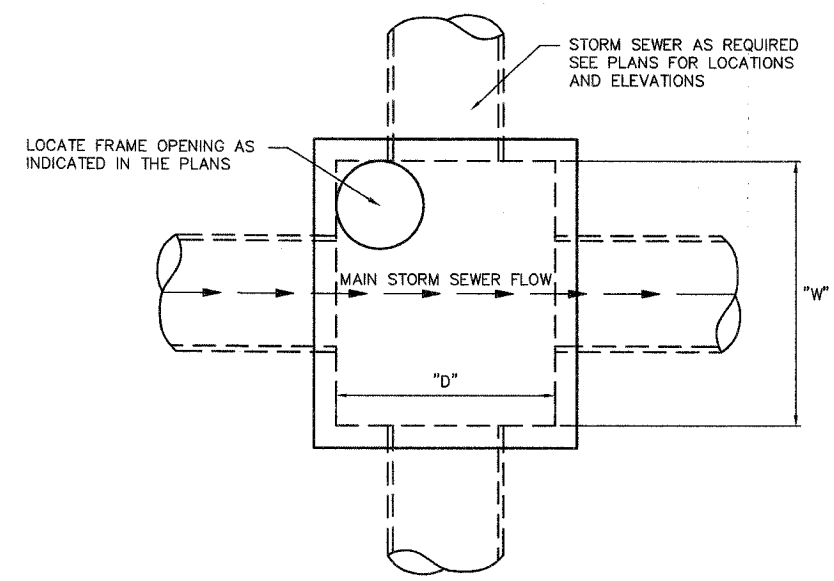


| | | | | |
|----------------------------|----------------|----------|------------------|-----------|
| F.A.U. RTE. | SECTION | COUNTY | TOTAL SHEETS | SHEET NO. |
| BBS2 | D6-00056-01-WR | MADISON | 81 | 59 |
| STA. | | TO STA. | | |
| FED. ROAD DIST. NO. | | ILLINOIS | FED. AID PROJECT | |
| DRAINAGE STRUCTURE DETAILS | | | | |
| CONTRACT NO. 97324 | | | | |

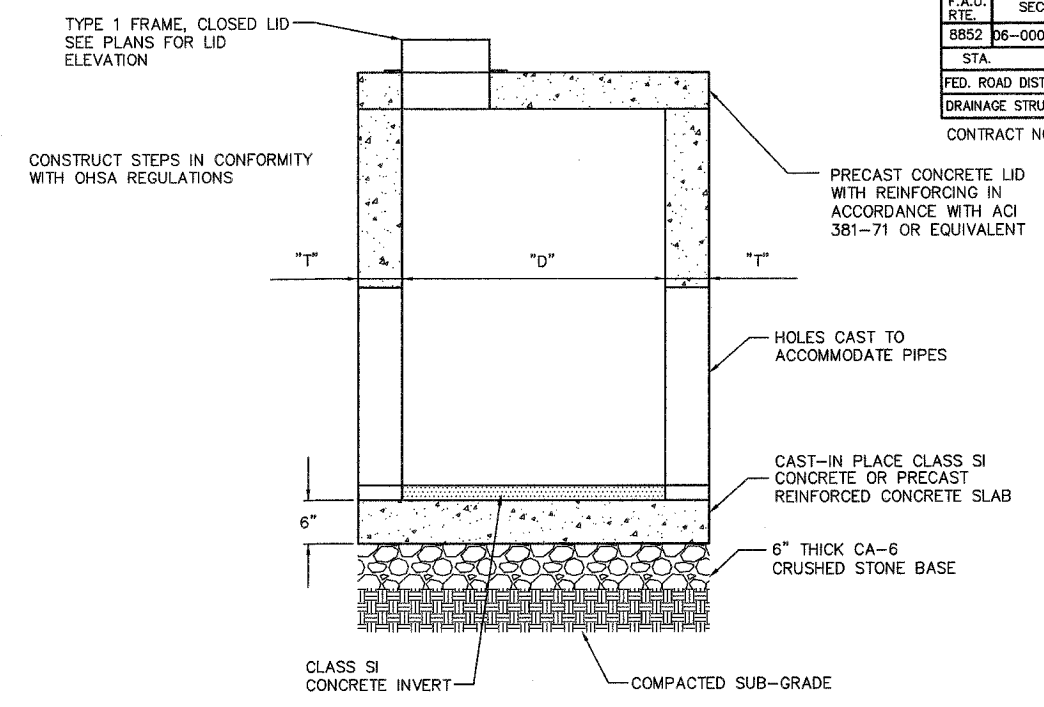
| | |
|--------------------------------------|------------|
| ALTERNATE MATERIALS FOR INLET WALLS | "T" (MIN.) |
| CONCRETE MASONRY UNITS | 5" |
| BRICK MASONRY | 8" |
| PRECAST REINFORCED CONCRETE SECTIONS | 6" |
| CAST-IN-PLACE CONCRETE | 6" |

| | |
|-------------------|-----------|
| JUNCTION CHAMBER, | "W" x "D" |
| NO. 1 | 5' x 5' |
| NO. 2 | 6' x 5' |

| | | |
|----------------|-----------|-----|
| INLET SPECIAL, | "W" x "D" | "X" |
| NO. 1 | 5' x 4.5' | 0" |
| NO. 2 | 4' x 3.5' | 18" |
| NO. 3 | 5' x 5' | 18" |
| NO. 4 | 5' x 6' | 18" |

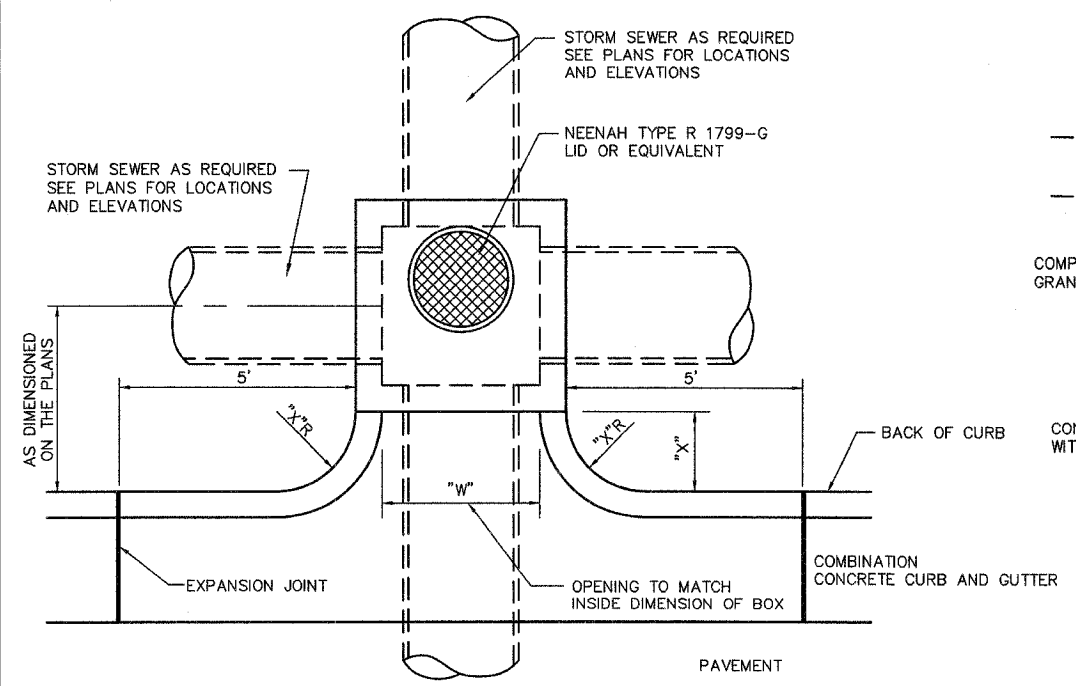


PLAN VIEW

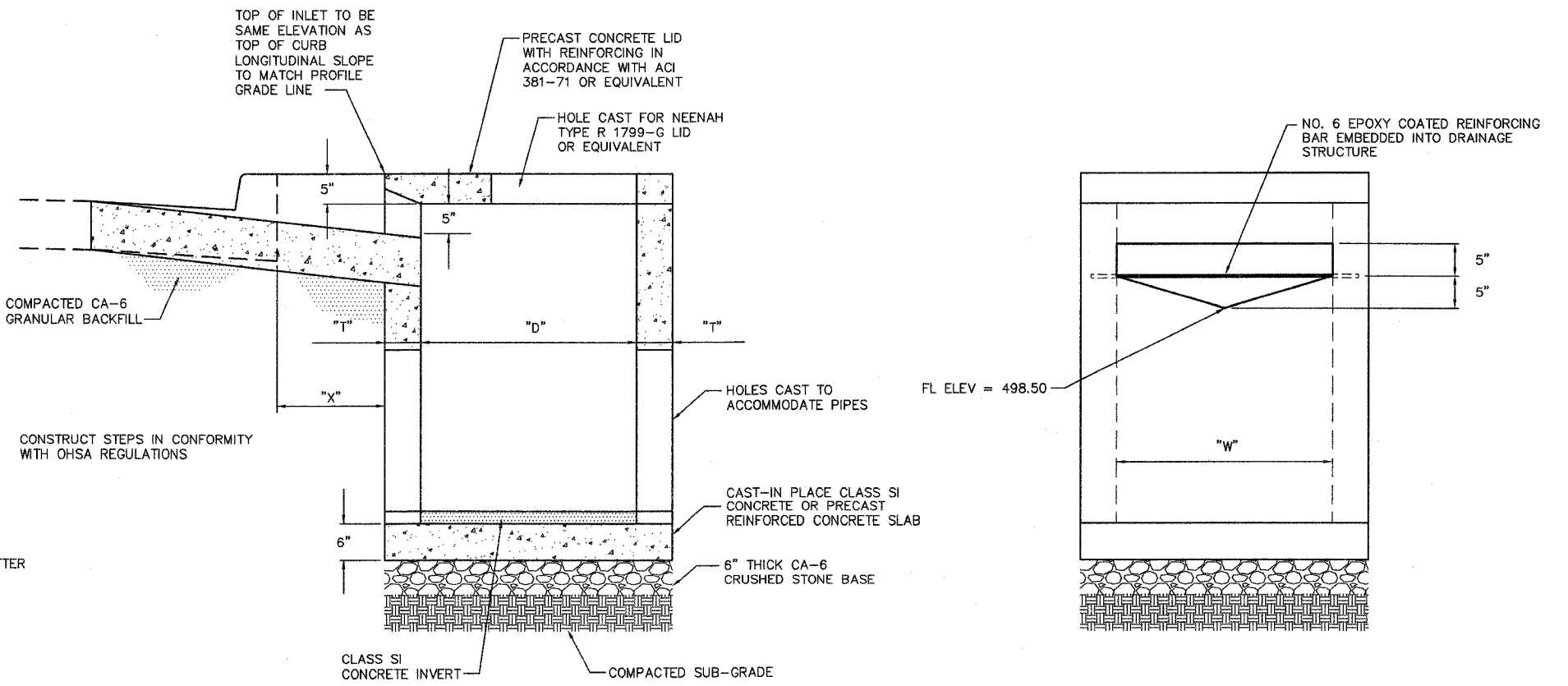


SIDE VIEW

JUNCTION CHAMBER
(NOT TO SCALE)



PLAN VIEW



SIDE VIEW

BACK OF INLET AT
BROADWAY STA. 26+05 LT

INLETS, SPECIAL
(NOT TO SCALE)