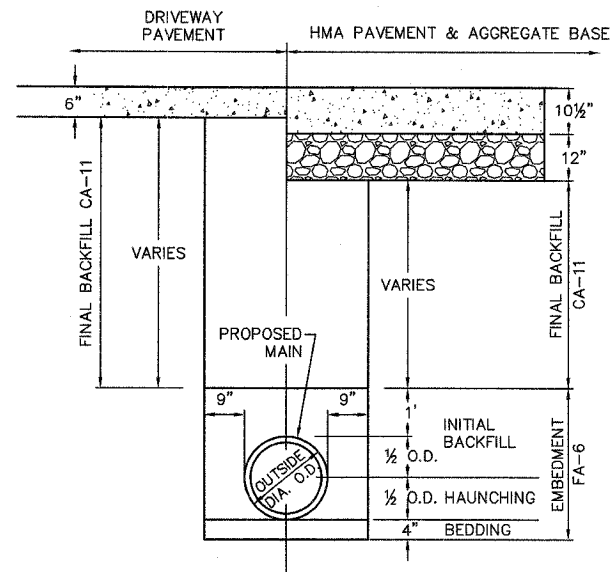
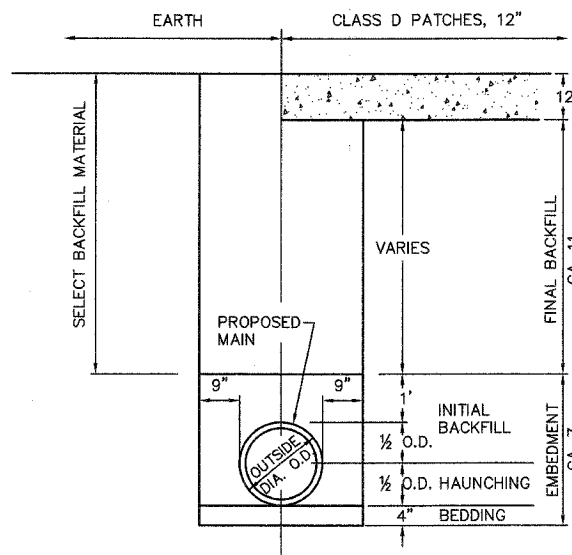


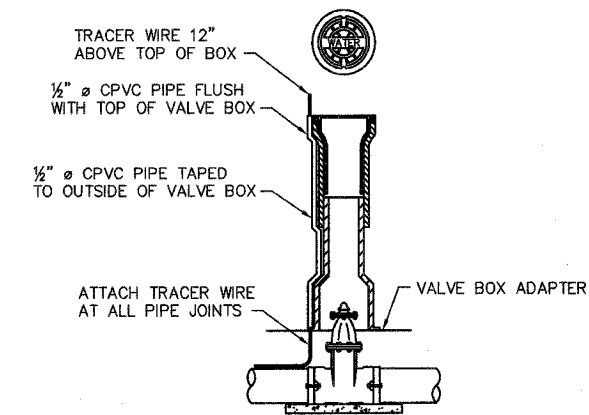
F.A.U. RTE.	SECTION	COUNTY	TOTAL SHEETS	SHEET NO.
8852	06-00056-01-WR	MADISON	81	60
STA.	TO STA.			
FED. ROAD DIST. NO.	ILLINOIS	FED. AID PROJECT		
CONSTRUCTION DETAILS				
CONTRACT NO. 97324				



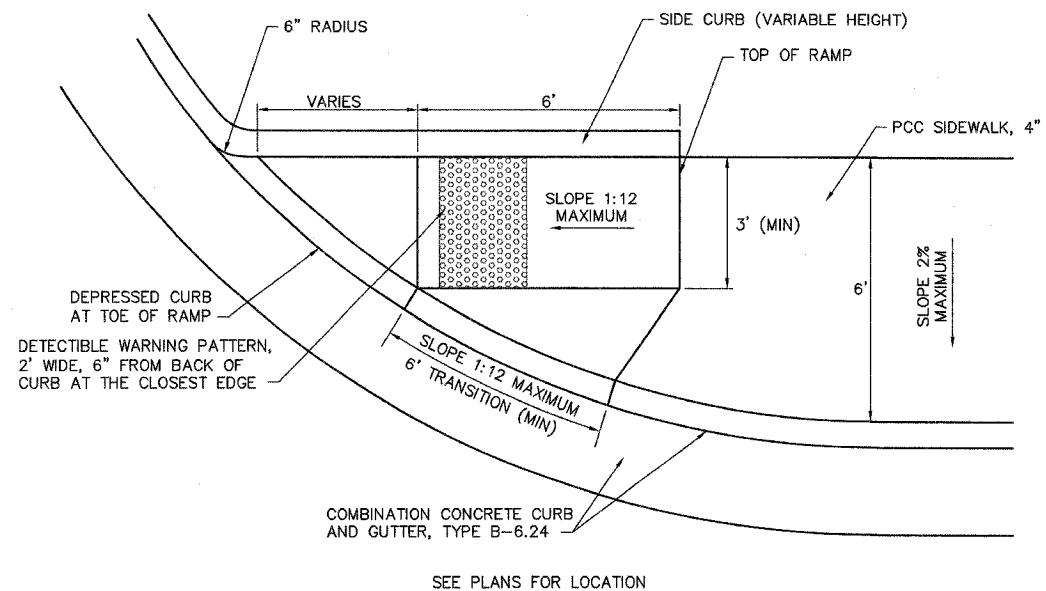
WATER MAIN DETAIL
NO SCALE



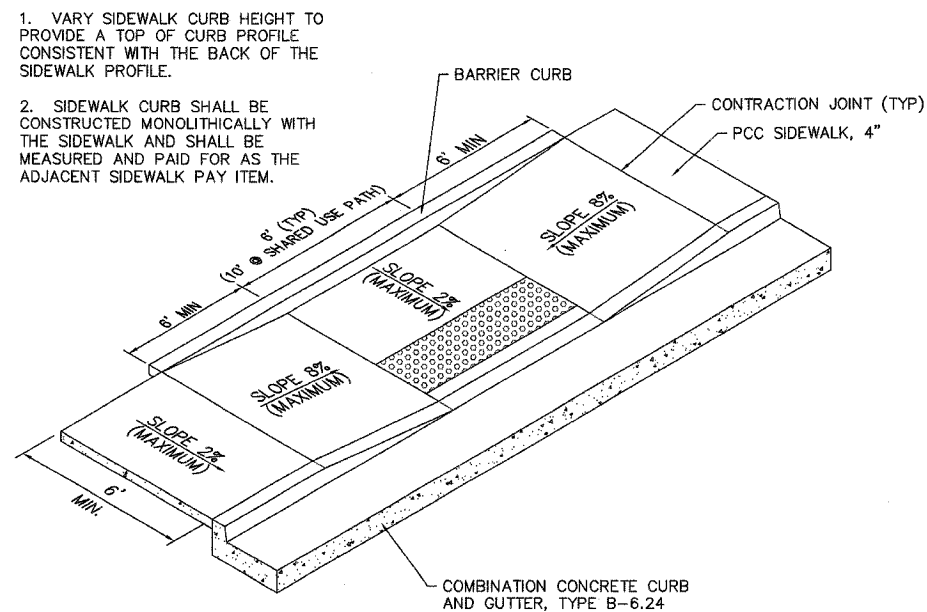
SANITARY SEWER DETAIL
NO SCALE



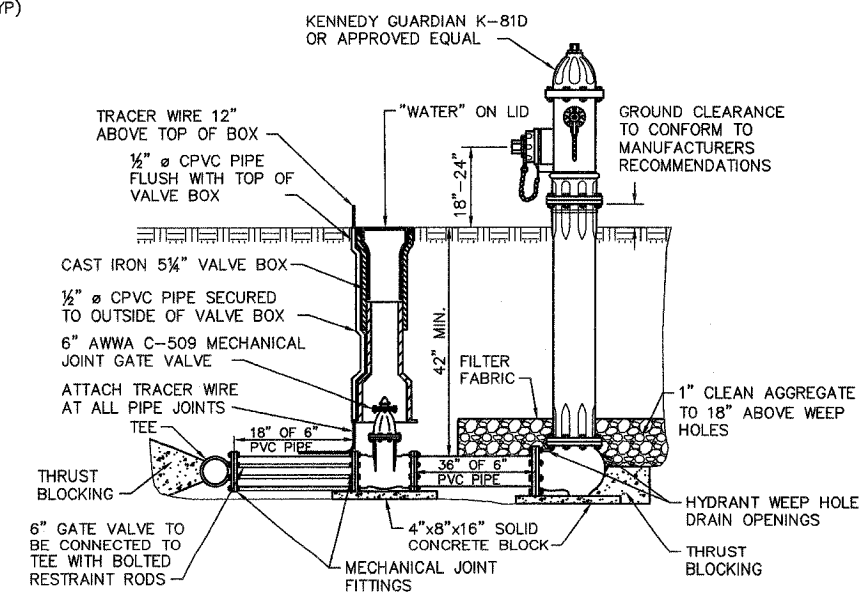
GATE VALVE INSTALLATION DETAIL
NOT TO SCALE



SIDEWALK RAMPS
(NOT TO SCALE)



SIDEWALK RAMP DETAIL
(NOT TO SCALE)



FIRE HYDRANT & VALVE (SPECIAL)
NOT TO SCALE