

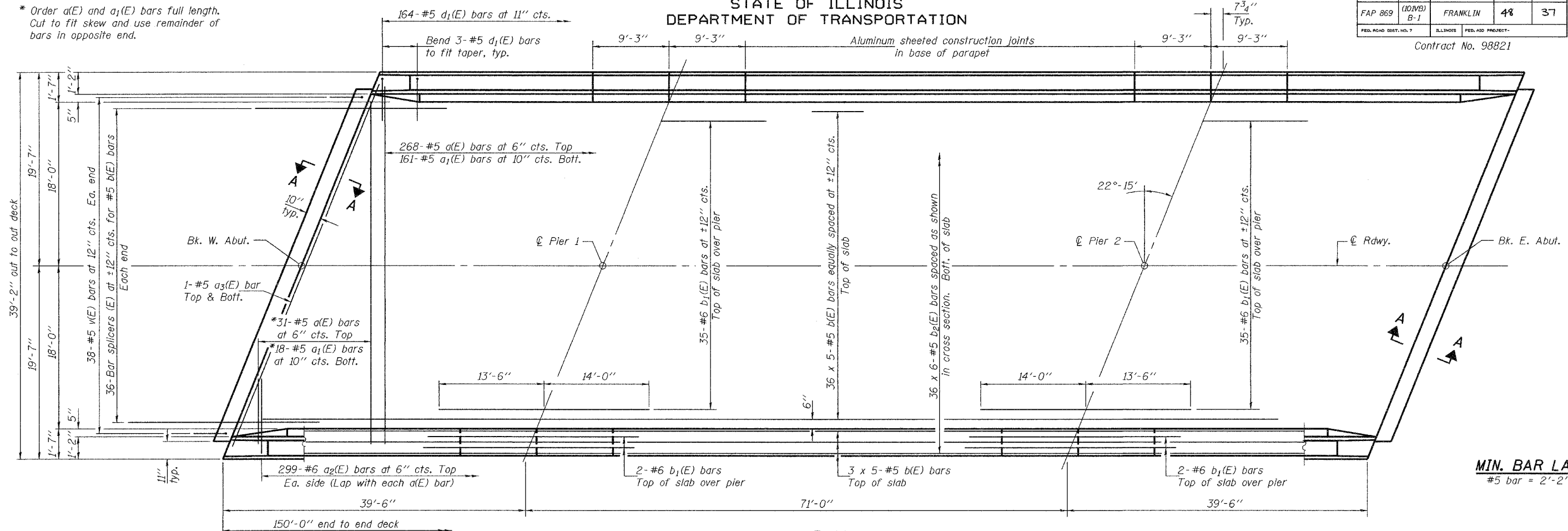
STATE OF ILLINOIS  
DEPARTMENT OF TRANSPORTATION

ROUTE NO.	SECTION	COUNTY	TOTAL SHEETS	SHEET NO.
FAP 869	(101VB) B-1	FRANKLIN	48	37
FED. ROAD DIST. NO. 7	ILLINOIS	FED. AID PROJECT		

SHEET NO. 8  
18 SHEETS

Contract No. 98821

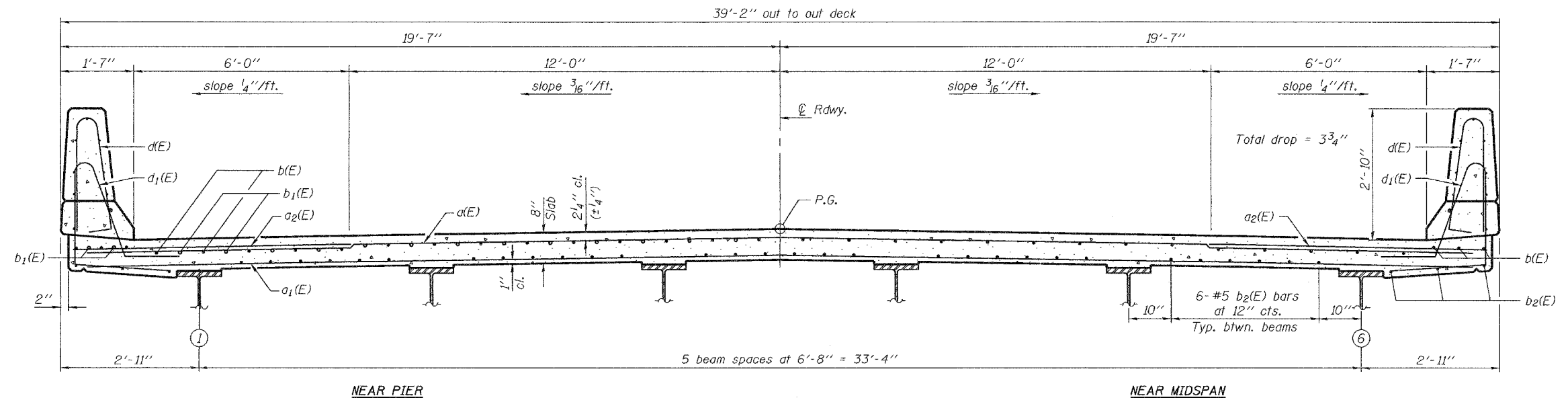
\* Order a(E) and a<sub>1</sub>(E) bars full length.  
Cut to fit skew and use remainder of bars in opposite end.



PLAN

MIN. BAR LAP  
#5 bar = 2'-2"

Notes: See sheet 9 of 18 for superstructure details and Bill of Material.  
Bars indicated thus 20 x 3-#5 etc. indicates 20 lines of bars with 3 lengths per line.  
See sheet 9 of 18 for parapet reinforcement.  
See sheet 10 of 18 for Section A-A.



CROSS SECTION  
(Looking East)

DESIGNED	Dewey H. Coultas
CHECKED	Ray Ahanchi
DRAWN	h.t. duong
CHECKED	DHC/GRA

Nov. 30, 2007  
EXAMINED *Thomas J. Damgalak*  
PASSED *Ralph E. Anderson*  
ENGINEER OF BRIDGE DESIGN  
ENGINEER OF BRIDGES AND STRUCTURES

SUPERSTRUCTURE  
F.A.P. RTE. 869 - SEC. (101VB)B-1  
FRANKLIN COUNTY  
STATION 177+17.38  
STRUCTURE NO. 028-0077