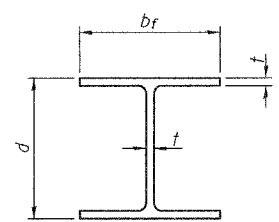


STATE OF ILLINOIS
DEPARTMENT OF TRANSPORTATION

ROUTE NO.	SECTION	COUNTY	STATION	SHEET
FAP 869	(101VB) B-1	FRANKLIN	48	47
FED. ROAD DIST. NO. 7	ILLINOIS	FED. AID PROJECT		

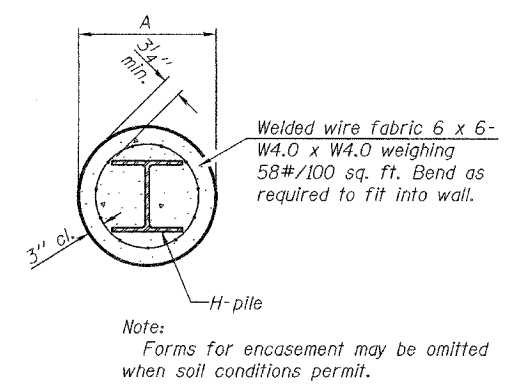
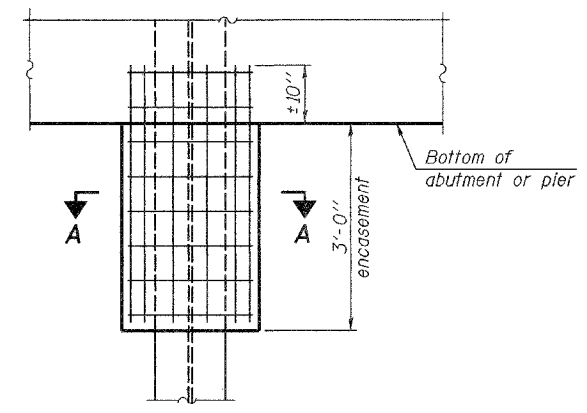
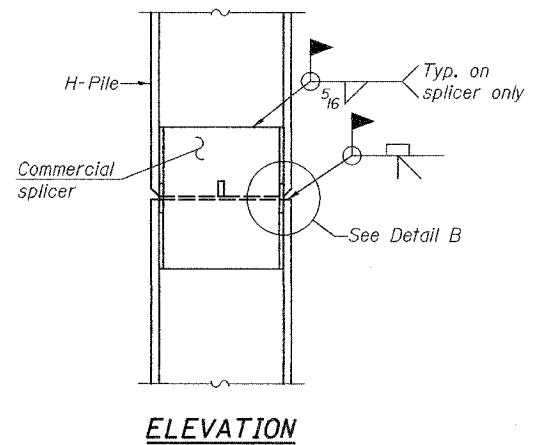
SHEET NO. 18
18 SHEETS

Contract No. 98821



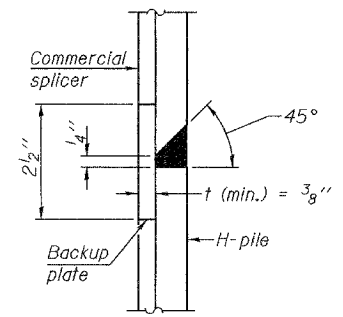
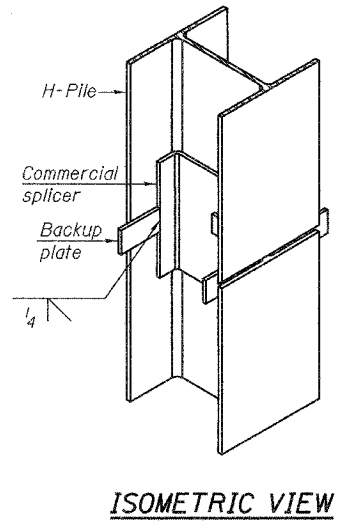
STEEL PILE TABLE

Designation	Depth d	Flange width bf	Web and Flange thickness t	Encasement diameter A
HP 14x117	14 1/4"	14 7/8"	1 5/16"	30"
x102	14"	14 3/4"	1 1/16"	30"
x89	13 7/8"	14 3/4"	5/8"	30"
x73	13 5/8"	14 5/8"	1/2"	30"
HP 12x84	12 1/4"	12 1/4"	1 1/16"	24"
x74	12 1/8"	12 1/4"	5/8"	24"
x63	12"	12 1/8"	1/2"	24"
x53	11 3/4"	12"	7/16"	24"
HP 10x57	10"	10 1/4"	9/16"	24"
x42	9 3/4"	10 1/8"	7/16"	24"
HP 8x36	8"	8 1/8"	7/16"	18"

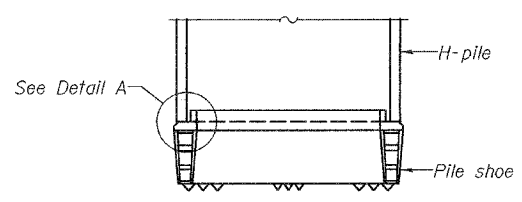
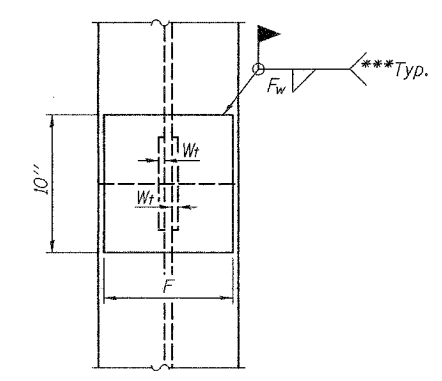
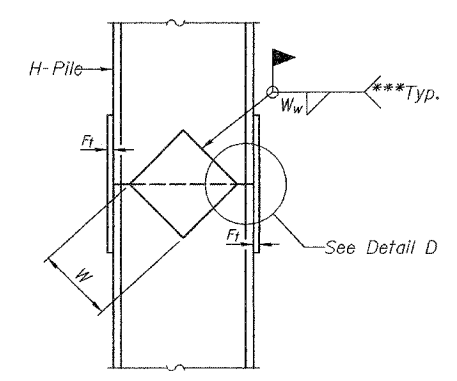


Note:
Forms for encasement may be omitted when soil conditions permit.

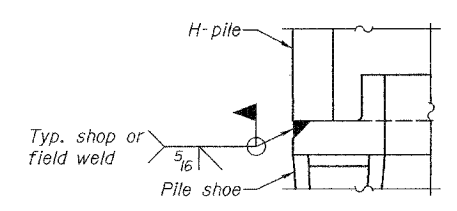
PILE ENCASEMENT



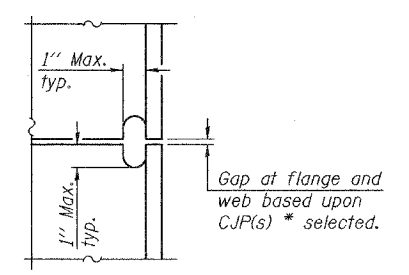
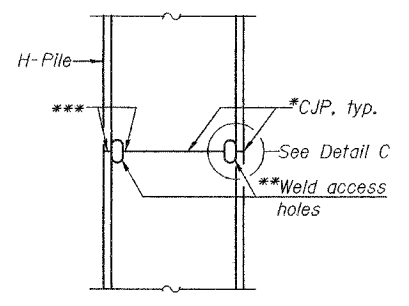
WELDED COMMERCIAL SPLICE



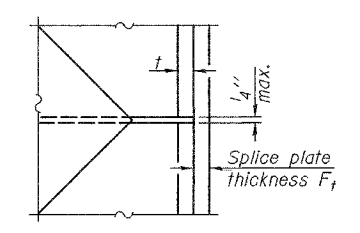
ELEVATION



H-PILE SHOE ATTACHMENT



COMPLETE PENETRATION WELD SPLICE



WELDED PLATE FIELD SPLICE

Designation	F	Ft	Fw	W	Wt	Ww
HP 14x117	12 1/2"	1"	7/8"	7 3/4"	5 8/8"	1/2"
x102	12 1/2"	7/8"	3/4"	7 3/4"	5 8/8"	1/2"
x89	12 1/2"	3/4"	1 1/16"	7 3/4"	5 8/8"	1/2"
x73	12 1/2"	5/8"	9/16"	7 3/4"	5 8/8"	1/2"
HP 12x84	10"	7/8"	1 1/16"	6 1/2"	5 8/8"	1/2"
x74	10"	7/8"	1 1/16"	6 1/2"	5 8/8"	1/2"
x63	10"	5/8"	1/2"	6 1/2"	1/2"	3/8"
x53	10"	5/8"	1/2"	6 1/2"	1/2"	3/8"
HP 10x57	8"	3/4"	9/16"	5 1/4"	1/2"	3/8"
x42	8"	5/8"	9/16"	5 1/4"	1/2"	3/8"
HP 8x36	7"	5/8"	7/16"	4 1/4"	1/2"	3/8"

DESIGNED	Dewey H. Coultas
CHECKED	Ray Ahanchi
DRAWN	h.t. duong
CHECKED	DHC/GRA

Nov. 30, 2007
EXAMINED <i>Thomas J. Donagale</i>
PASSED <i>Ralph E. Anderson</i>

*Use joint conforming to Figure 3.4 in AWS D1.1, Structure Welding Code - Steel.
**Preparation per Fig. 5.2 in AWS D1.1, Structure Welding Code - Steel.
***Interrupt welds 1/4" from end of each pile.

Note:
The steel H-piles shall be according to AASHTO M270 Grade 50.

STEEL H PILE DETAILS
F.A.P. RTE. 869 - SEC. (101VB)B-1
FRANKLIN COUNTY
STATION 177+17.38
STRUCTURE NO. 028-0077