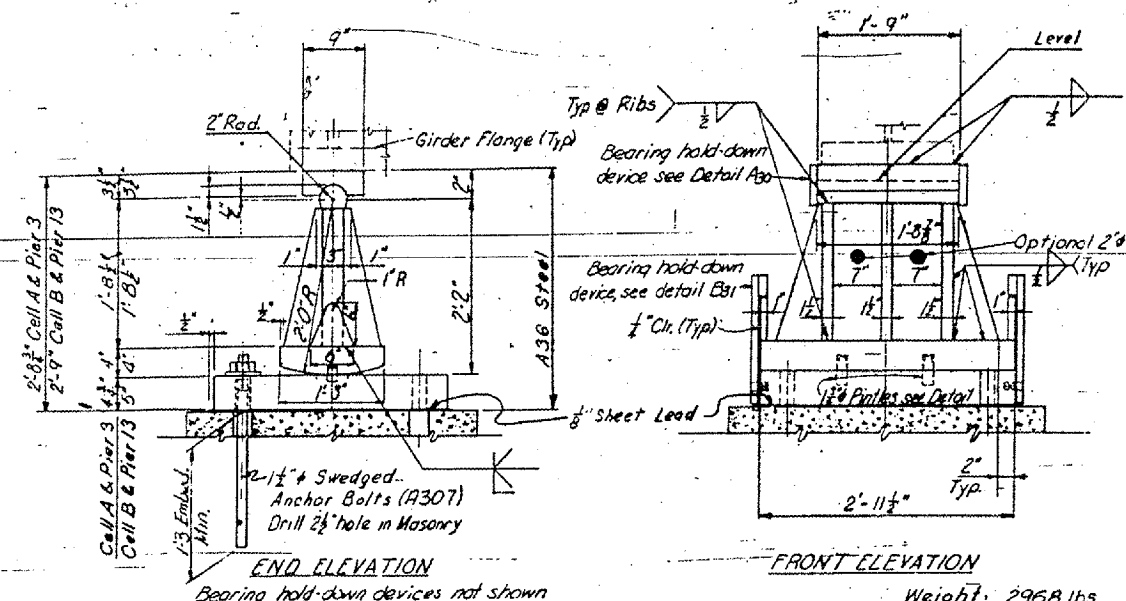


CONTRACT: 98990
 ROUTE: INTERSTATE 24
 SECTION: (64-3B) 1-6
 COUNTY: MASSAC, IL; McCRACKEN, KY
 SHEET 25 OF 99
 FOR INFORMATION ONLY



FRONT ELEVATION

END ELEVATION

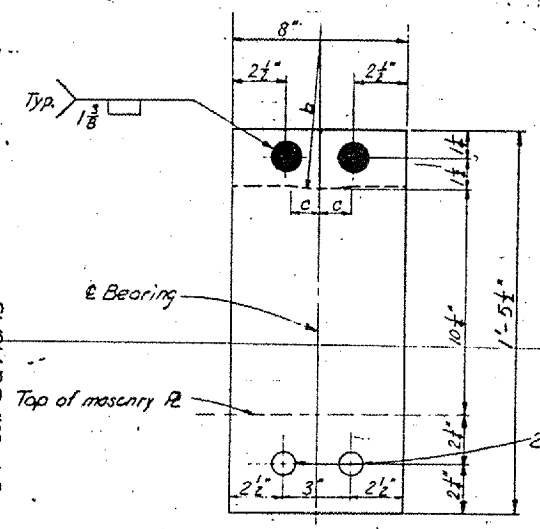
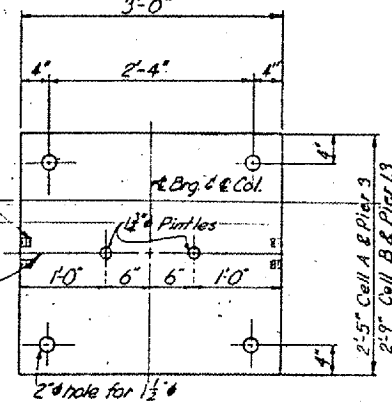
Bearing hold-down devices not shown

Weight - 2968 lbs
 Reaction - 706 K
 Cell A & Pier 3

BEARING TYPE E1
 USE AT CELLS A & B &
 PIERS 3 & 13
 8 REQUIRED

Weight - 3254 lbs
 Reaction - 706 K
 Pier 13 & Cell B

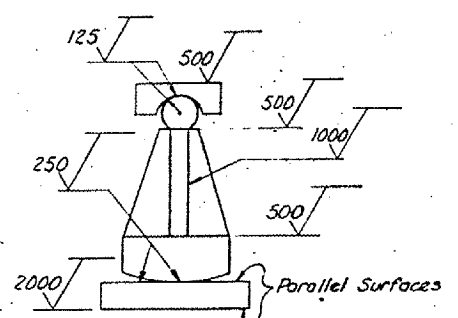
PLAN BOTTOM PLATE



FRONT ELEV

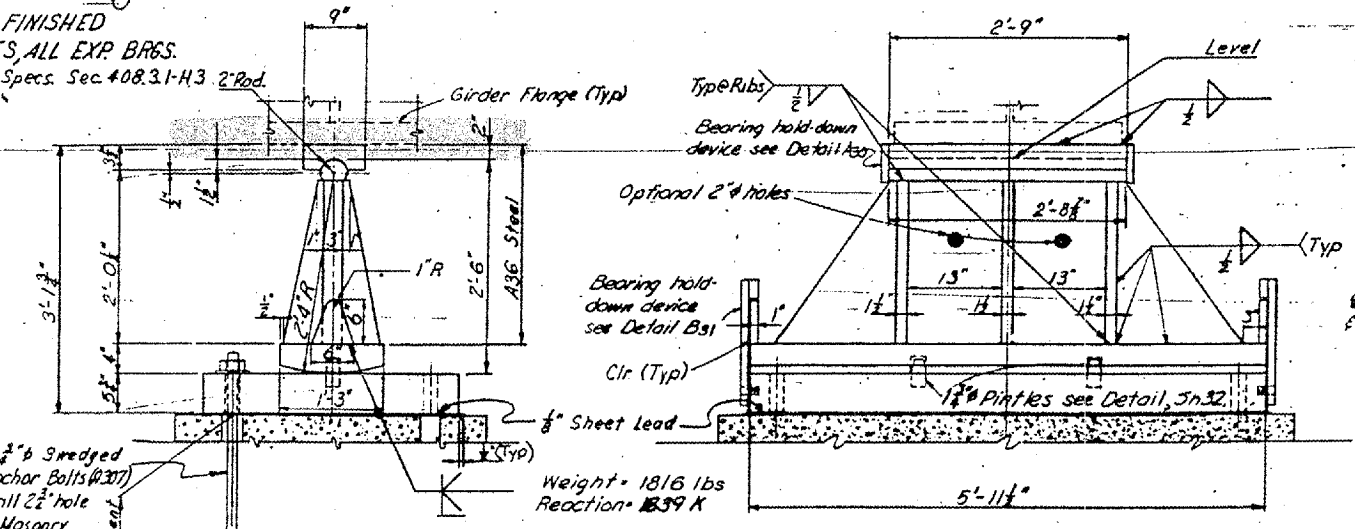
END VIEW

DETAIL B31
 Exp. Bearing hold-down device



TYPICAL PIN TO WEB CONNECTION
 AT ALL SHOES

KEY TO FINISHED SURFACES, ALL EXP. BRGS.
 See KDH Specs. Sec. 408.3.1-H3 2" Rod.



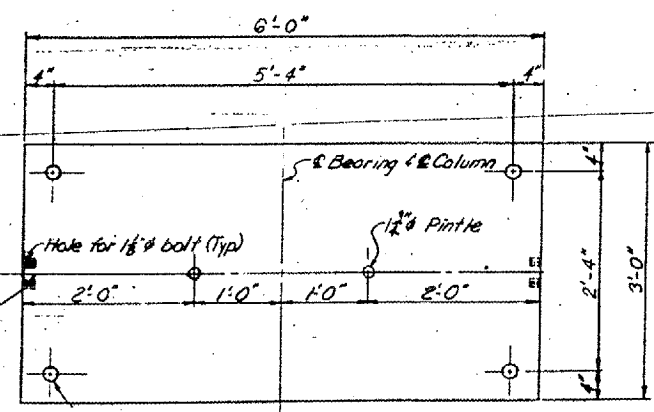
FRONT ELEVATION

END ELEVATION

Bearing hold-down devices not shown

Weight - 1816 lbs
 Reaction - 1339 K

BEARING TYPE E2
 USE AT PIERS 14 & 18
 4 REQUIRED



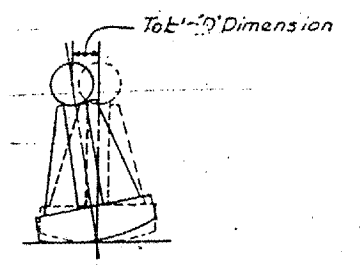
PLAN BOTTOM PLATE

EXPANSION BEARINGS
 STRUCTURAL STEEL

Table for Detail B31

	TYPE		
	E1	E2	E3 or E4
b	6 3/8"	7 3/8"	5 1/2"
c	2 3/8"	1 1/4"	1 3/4"

Temp. Diff. (°F)	-20°	0°	20°	40°	60°	80°	100°	120°
A	1.66"	1.24"	.83"	.41"	0	.41"	.83"	1.24"
3	2.01"	1.51"	1.01"	.50"	0	.50"	1.01"	1.51"
13	3.83"	2.87"	1.92"	.96"	0	.96"	1.92"	2.87"
14	2.58"	1.94"	1.29"	.64"	0	.64"	1.29"	1.94"
18	2.41"	1.81"	1.20"	.61"	0	.61"	1.20"	1.81"
B	3.66"	2.74"	1.83"	.91"	0	.91"	1.83"	2.74"



KENTUCKY DEPARTMENT OF HIGHWAYS
 ILLINOIS DEPARTMENT OF PUBLIC WORKS
 AND BUILDINGS

PROJECTS 124-1(6) 130, 124-9(1) 10, 124-1(6) 11
 BRIDGE OVER OHIO RIVER ON 124
 BETWEEN McCRACKEN COUNTY, KENTUCKY
 AND MASSAC COUNTY, ILLINOIS

HAZLET & BERDA Consulting Engineers PLS. No. 888	BRIDGE NUMBER	DRAWING NO. 17471	INDEX
--	------------------	----------------------	-------

REVISION: Finished Surface Symbol DATE 4/5/97
 CHECKED BY: CHH DATE 4/5/97
 DRAWN BY: D.B. DATE 4/5/97
 CHECKED BY: CHH DATE 4/5/97