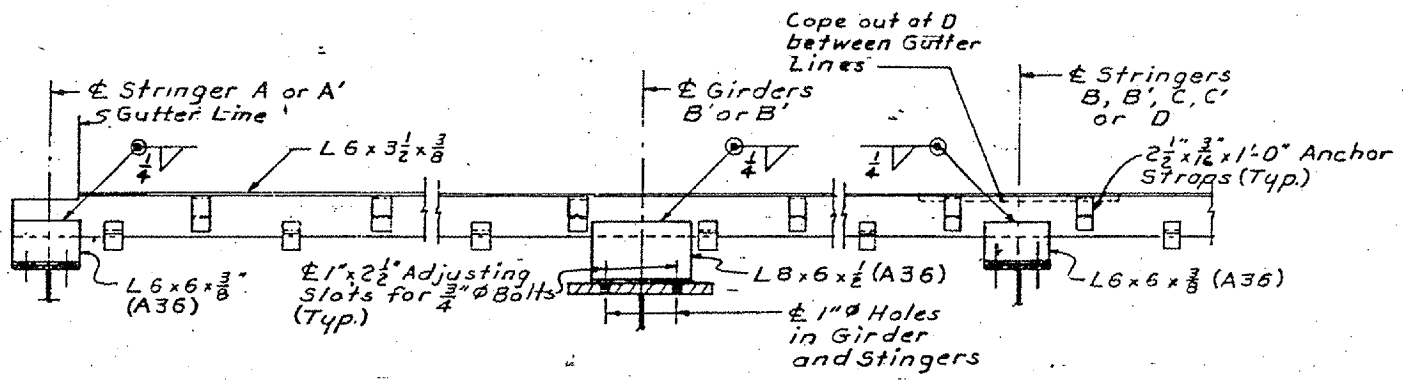
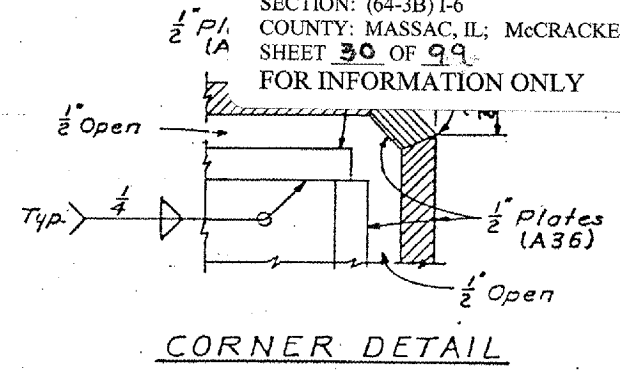
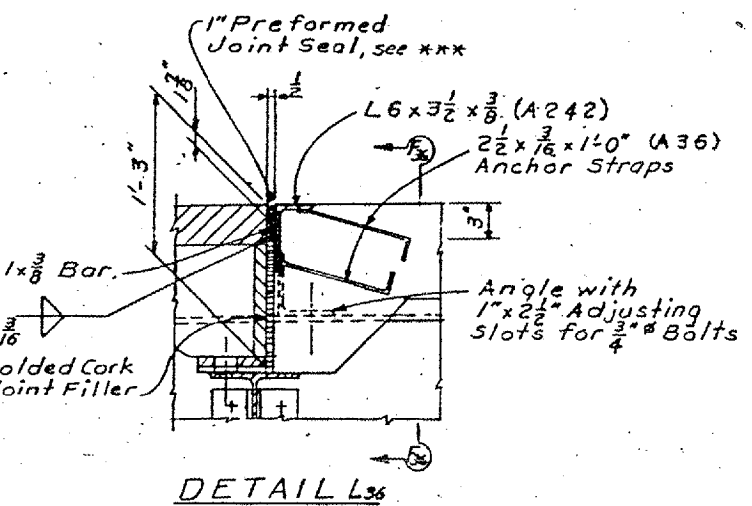
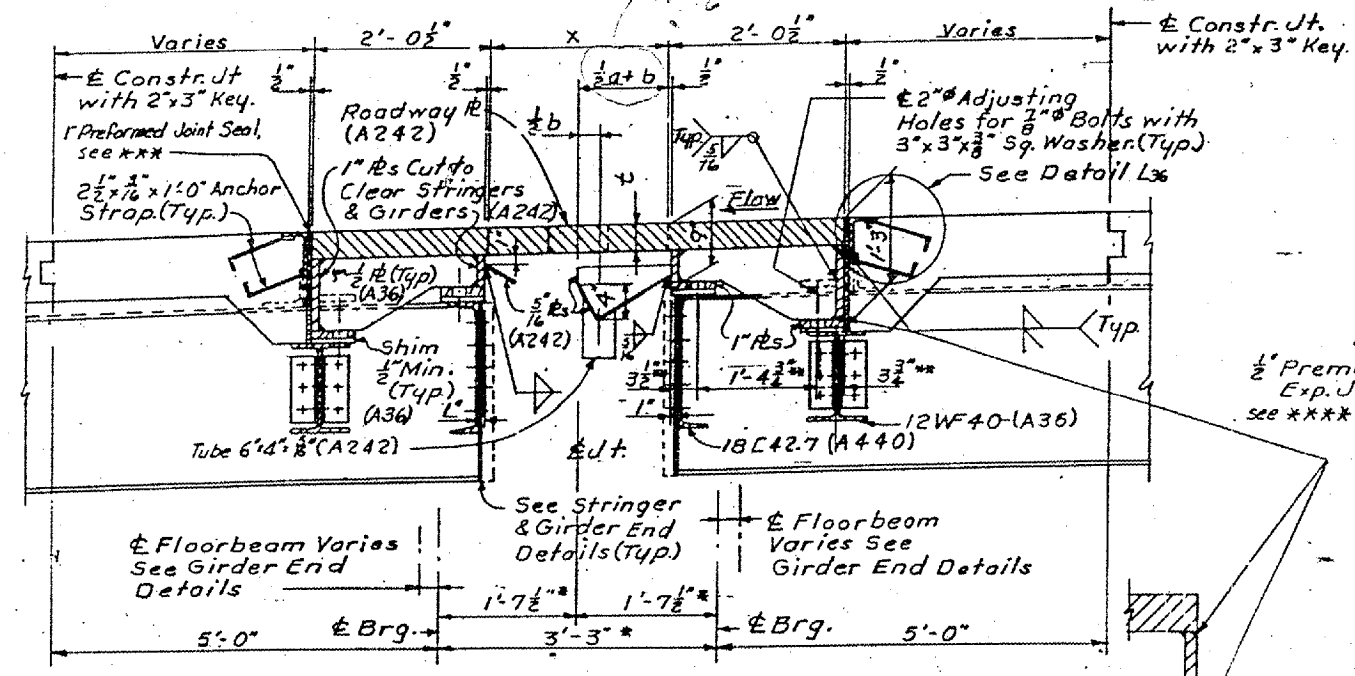
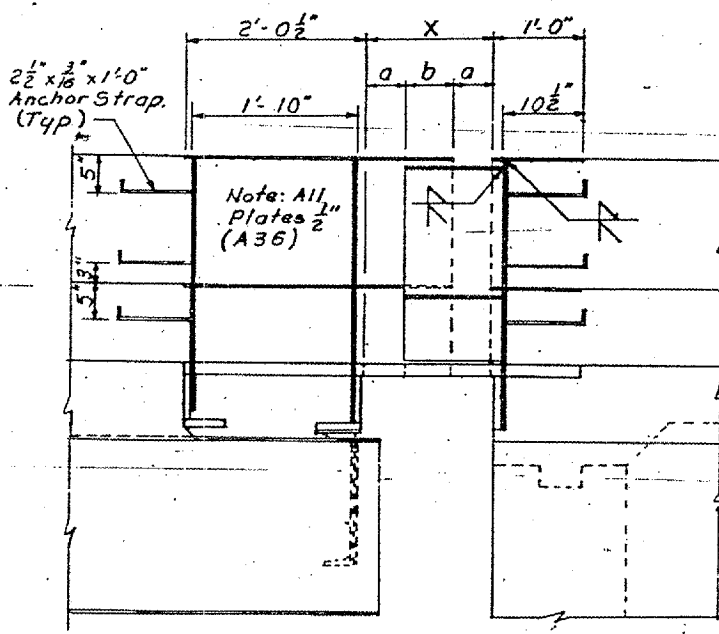
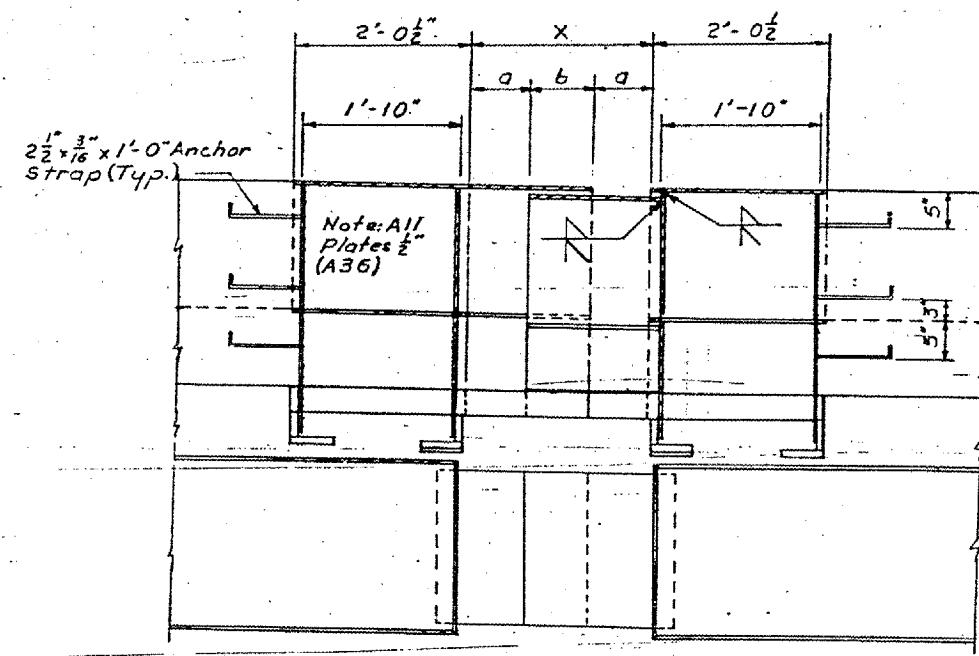


CONTRACT: 98990
 ROUTE: INTERSTATE 24
 SECTION: (64-3B)1-6
 COUNTY: MASSAC, IL; McCRACKEN, KY
 SHEET 30 OF 99
 FOR INFORMATION ONLY

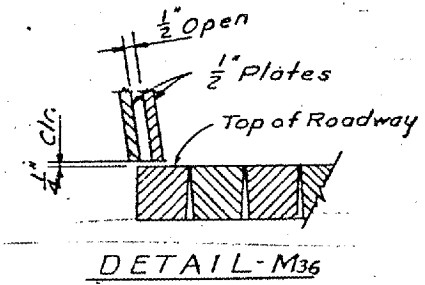


WELDING DETAIL
 (For Expansion Dam Support)



EXPANSION DAM WEIGHTS & LBS.

PIER No.	PLATE THICKNESS t"	WEIGHT LBS.
PIER No. 3	3"	74,270
PIER No. 4	1 1/2"	55,702
PIER No. 8	3 1/2"	81,558
PIER No. 12	3 1/2"	80,060
PIER No. 13	2 1/2"	60,594



Notes:
 * Dimensions at 60°F
 # Symmetrical about &
 See Sheet 34 for a, b & x.
 *** Preformed Joint Seal Details for Concrete Bridge Floors G 353, current edition.
 **** Premolded Cork Expansion Joint Material Details for Concrete Bridge Floors G 354, current edition.

Replace with steel ball
 64-3B-1-6
 98990

KENTUCKY DEPARTMENT OF HIGHWAYS
 ILLINOIS DEPARTMENT OF PUBLIC WORKS
 AND BUILDINGS
 PROJECTS 124-116338, 124-9(110), 124-11611
 BRIDGE OVER OHIO RIVER ON 124
 BETWEEN McCRACKEN COUNTY, KENTUCKY
 AND MASSAC COUNTY, ILLINOIS

HAZLET & ENDAL
 Consulting Engineers
 No. 228

BRIDGE
 NUMBER

DRAWING NO.
 17471

INCH

EXPANSION DAM DETAILS
 STRUCTURAL STEEL

DESIGNED BY: ABS
 CHECKED BY: MDC
 DRAWN BY: MDC
 DATE: 6-56
 PROJECT: 64-3B-1-6
 SHEET: 30 OF 99