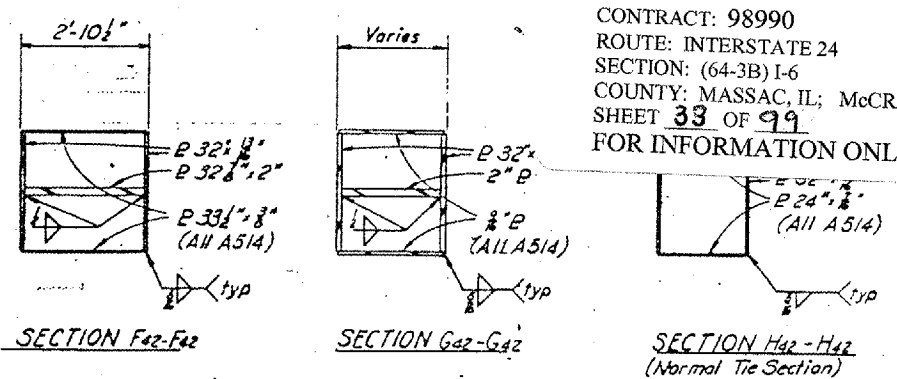
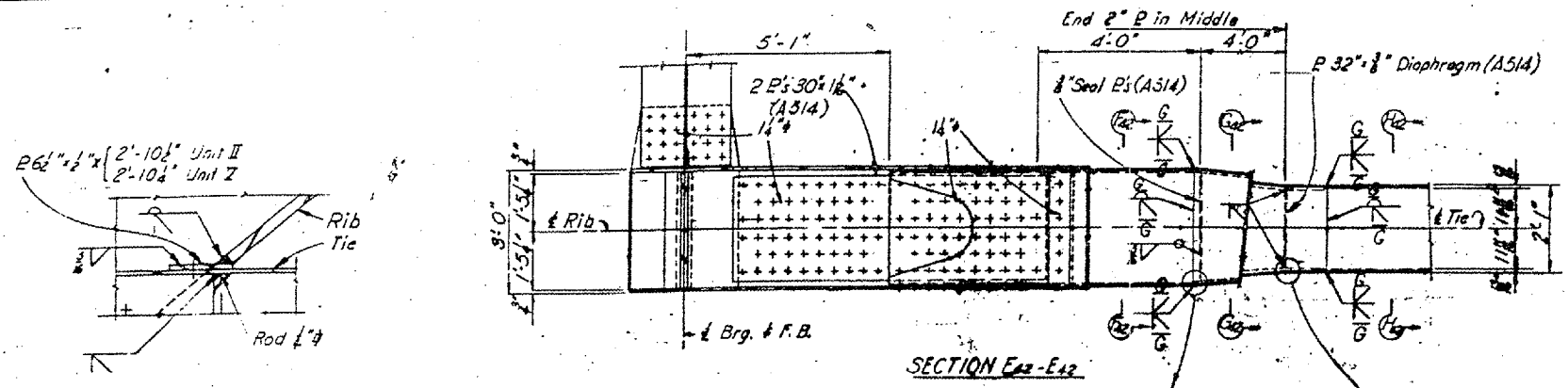
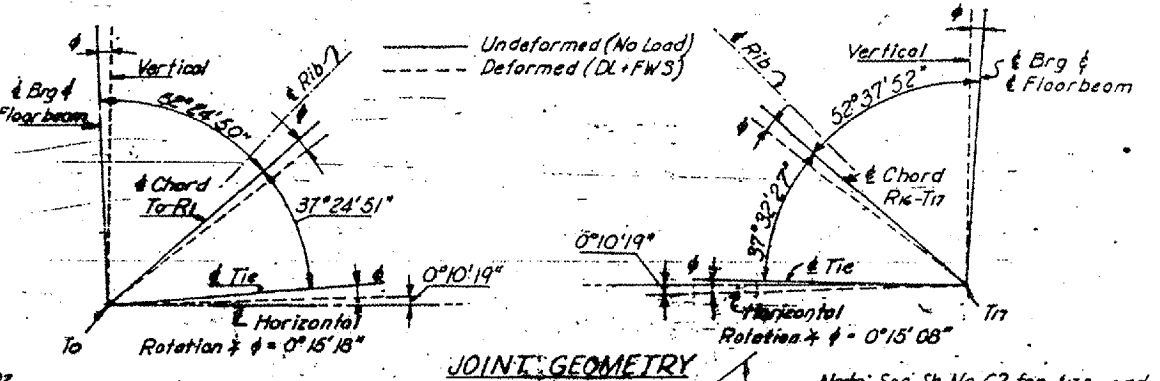
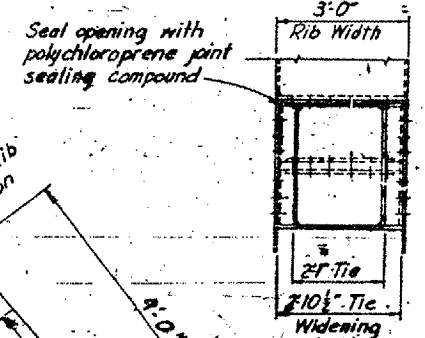
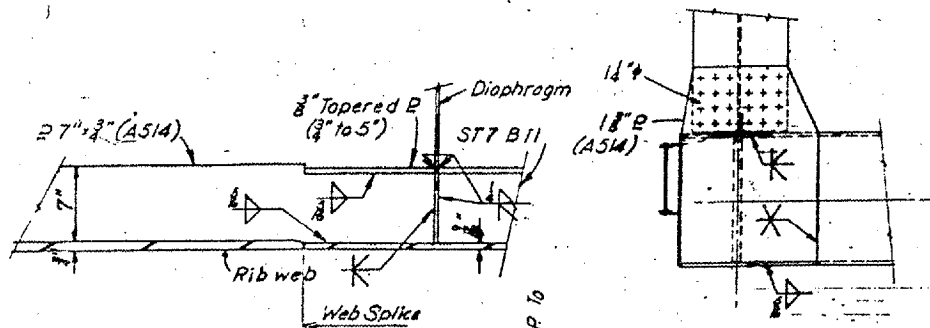


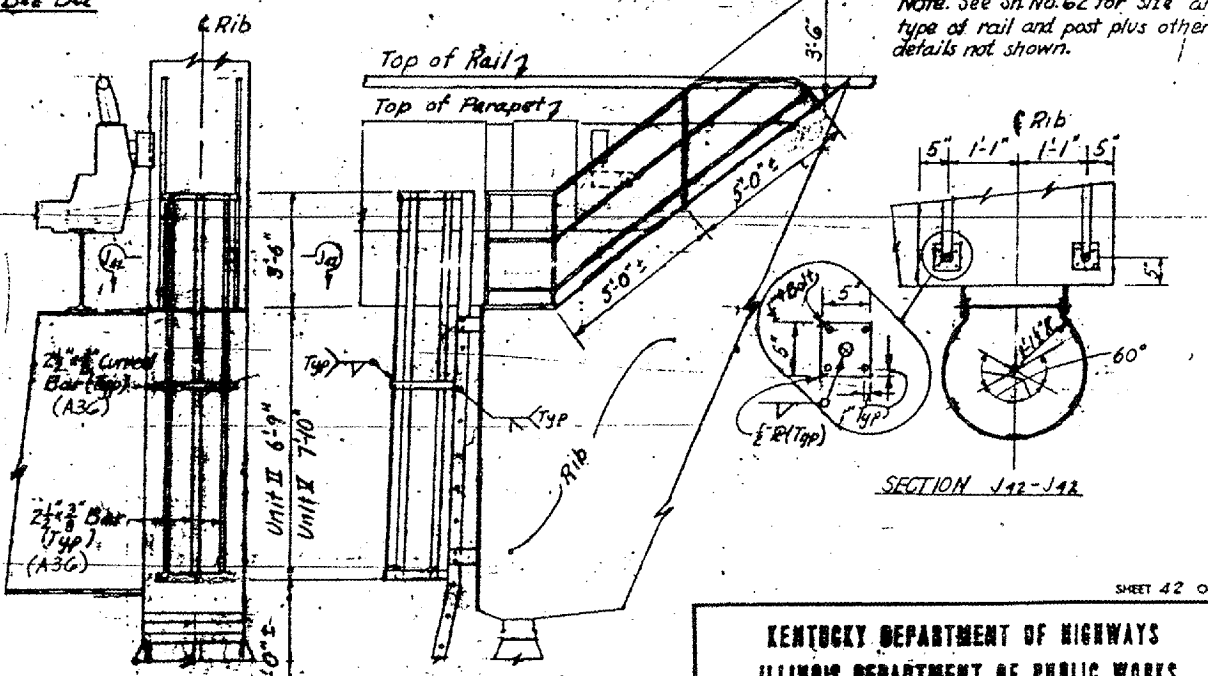
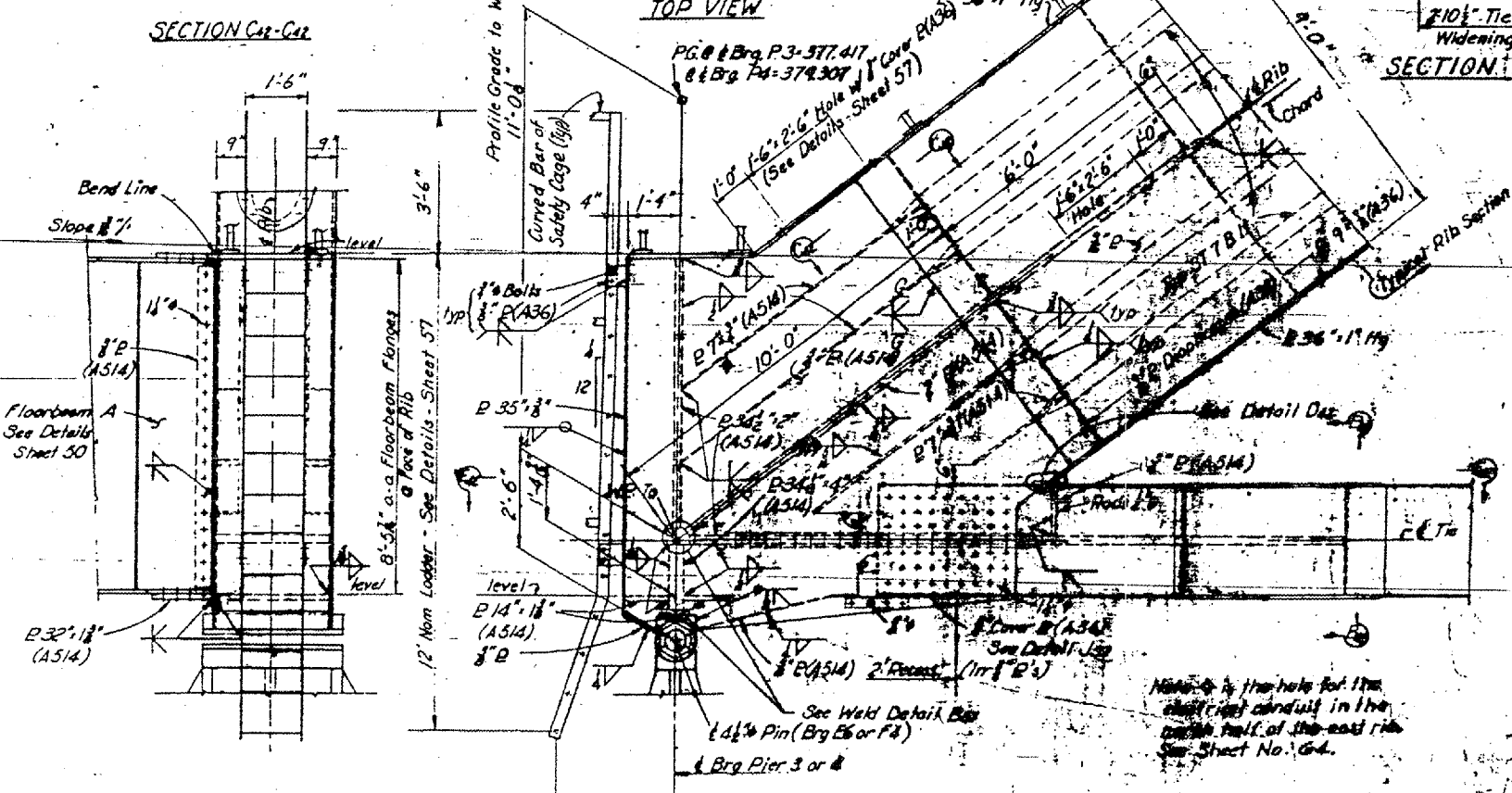
CONTRACT: 98990
 ROUTE: INTERSTATE 24
 SECTION: (64-3B) I-6
 COUNTY: MASSAC, IL; McCracken, KY
 SHEET 33 OF 99
 FOR INFORMATION ONLY



DETAIL D42
 (In Section)



Note: See Sh. No. 62 for size and type of rail and post plus other details not shown.



SAFETY RAIL AND CAGE AT END OF RIBS
 (As Required)

UNIT II RIB
 STRUCTURAL STEEL

KENTUCKY DEPARTMENT OF HIGHWAYS
 ILLINOIS DEPARTMENT OF PUBLIC WORKS
 AND BUILDINGS

PROJECTS 124-1(6) 308, 124-9(1) 10, 124-1(6) 1
 BRIDGE OVER OHIO RIVER ON I-24
 BETWEEN MACCRACKEN COUNTY, KENTUCKY
 AND MASSAC COUNTY, ILLINOIS

HAZLET & FRANK
 Consulting Engineers
 P.O. No. 288

BRIDGE
 NUMBER

DRAWING NO.
 17471

INDEX

DESIGNED BY: RBS
 DRAWN BY: RBS
 CHECKED BY: RBS
 DATE: 11/11/68
 REVISIONS: 1. 11/11/68
 2. 11/11/68
 3. 11/11/68
 4. 11/11/68
 5. 11/11/68
 6. 11/11/68
 7. 11/11/68
 8. 11/11/68
 9. 11/11/68
 10. 11/11/68
 11. 11/11/68
 12. 11/11/68
 13. 11/11/68
 14. 11/11/68
 15. 11/11/68
 16. 11/11/68
 17. 11/11/68
 18. 11/11/68
 19. 11/11/68
 20. 11/11/68
 21. 11/11/68
 22. 11/11/68
 23. 11/11/68
 24. 11/11/68
 25. 11/11/68
 26. 11/11/68
 27. 11/11/68
 28. 11/11/68
 29. 11/11/68
 30. 11/11/68
 31. 11/11/68
 32. 11/11/68
 33. 11/11/68
 34. 11/11/68
 35. 11/11/68
 36. 11/11/68
 37. 11/11/68
 38. 11/11/68
 39. 11/11/68
 40. 11/11/68
 41. 11/11/68
 42. 11/11/68
 43. 11/11/68
 44. 11/11/68
 45. 11/11/68
 46. 11/11/68
 47. 11/11/68
 48. 11/11/68
 49. 11/11/68
 50. 11/11/68
 51. 11/11/68
 52. 11/11/68
 53. 11/11/68
 54. 11/11/68
 55. 11/11/68
 56. 11/11/68
 57. 11/11/68
 58. 11/11/68
 59. 11/11/68
 60. 11/11/68
 61. 11/11/68
 62. 11/11/68
 63. 11/11/68
 64. 11/11/68
 65. 11/11/68
 66. 11/11/68
 67. 11/11/68
 68. 11/11/68
 69. 11/11/68
 70. 11/11/68
 71. 11/11/68
 72. 11/11/68
 73. 11/11/68
 74. 11/11/68
 75. 11/11/68
 76. 11/11/68
 77. 11/11/68
 78. 11/11/68
 79. 11/11/68
 80. 11/11/68
 81. 11/11/68
 82. 11/11/68
 83. 11/11/68
 84. 11/11/68
 85. 11/11/68
 86. 11/11/68
 87. 11/11/68
 88. 11/11/68
 89. 11/11/68
 90. 11/11/68
 91. 11/11/68
 92. 11/11/68
 93. 11/11/68
 94. 11/11/68
 95. 11/11/68
 96. 11/11/68
 97. 11/11/68
 98. 11/11/68
 99. 11/11/68
 100. 11/11/68