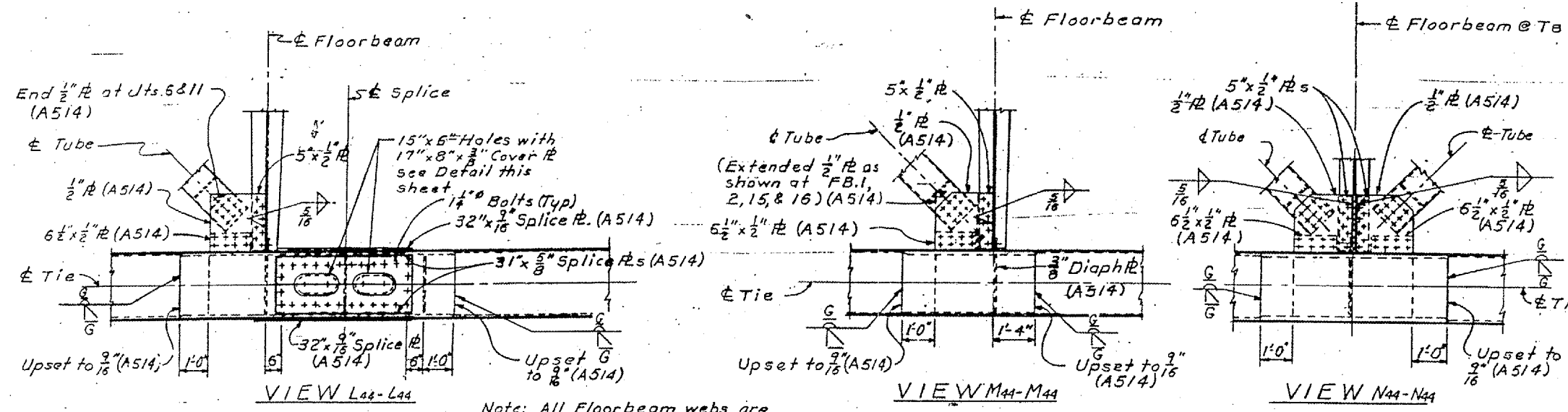
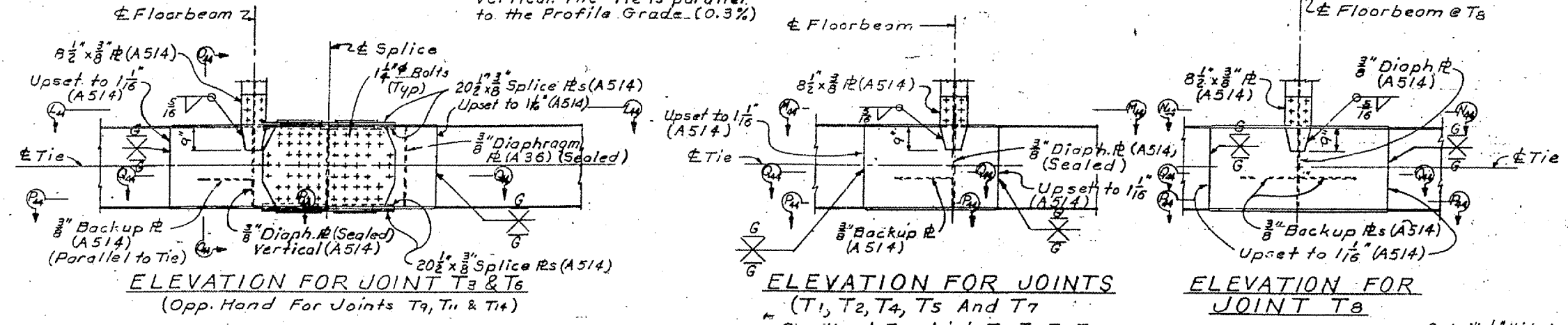


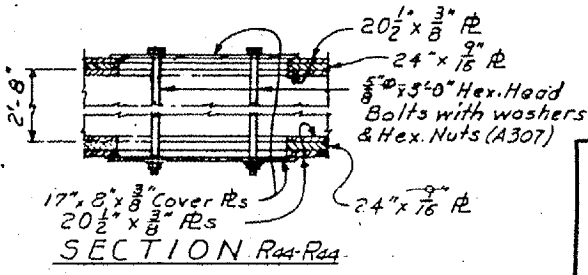
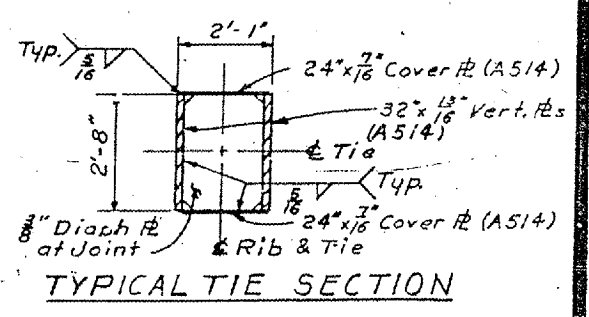
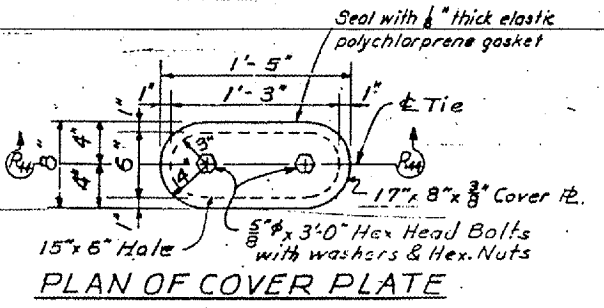
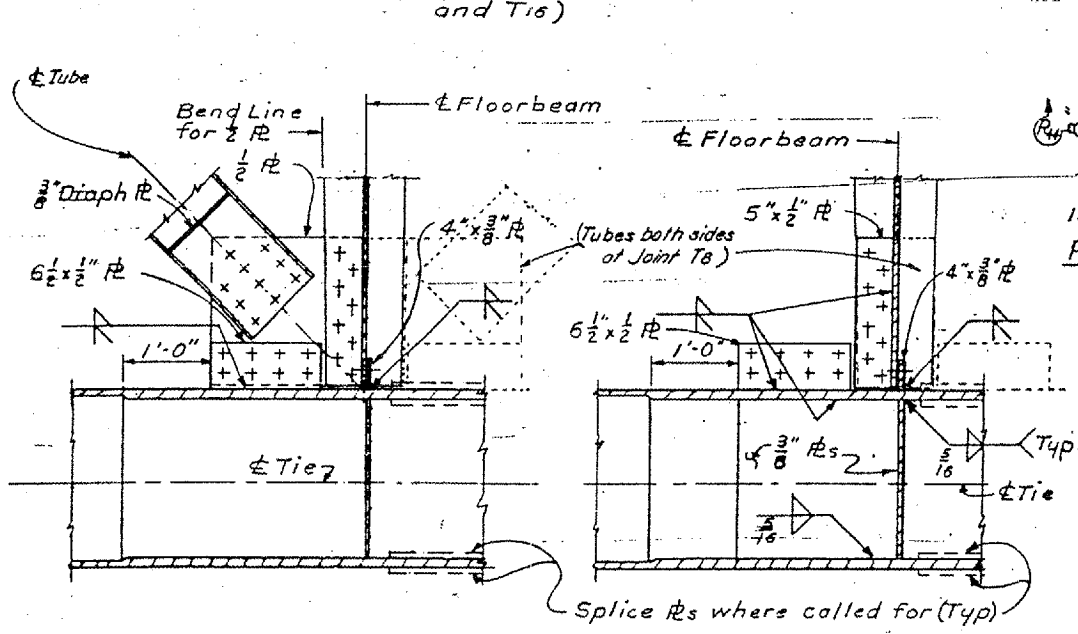
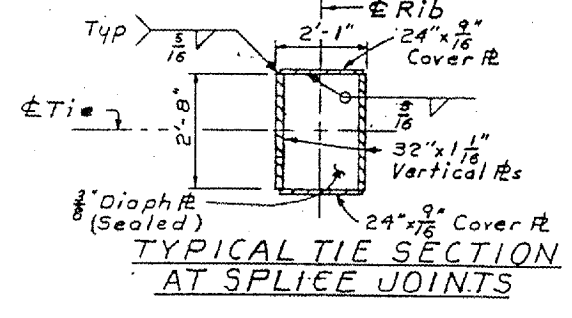
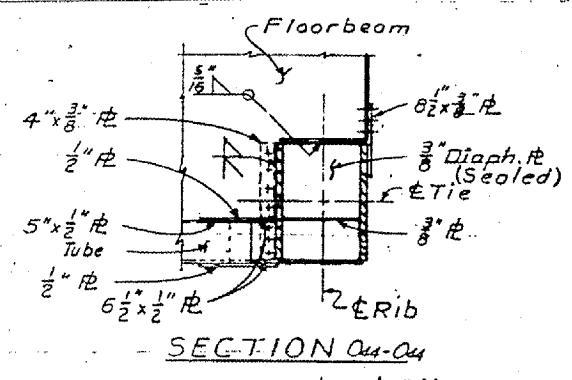
CONTRACT: 98990
 ROUTE: INTERSTATE 24
 SECTION: (64-3B) I-6
 COUNTY: MASSAC, IL; McCRACKEN, KY
 SHEET 34 OF 99
 FOR INFORMATION ONLY



Note: All Floorbeam webs are vertical. The Tie is parallel to the Profile Grade (0.3%)



TYPICAL SECTION THRU SPLICE



TIE SPLICE DETAILS FOR UNIT II STRUCTURAL STEEL

REVISION: DATE BY
 1. 11/10/00 J.B. [unclear]
 2. 1/18/01 J.B. [unclear]
 3. 1/18/01 J.B. [unclear]
 4. 1/18/01 J.B. [unclear]
 5. 1/18/01 J.B. [unclear]
 6. 1/18/01 J.B. [unclear]
 7. 1/18/01 J.B. [unclear]
 8. 1/18/01 J.B. [unclear]
 9. 1/18/01 J.B. [unclear]
 10. 1/18/01 J.B. [unclear]
 11. 1/18/01 J.B. [unclear]
 12. 1/18/01 J.B. [unclear]
 13. 1/18/01 J.B. [unclear]
 14. 1/18/01 J.B. [unclear]
 15. 1/18/01 J.B. [unclear]
 16. 1/18/01 J.B. [unclear]
 17. 1/18/01 J.B. [unclear]
 18. 1/18/01 J.B. [unclear]
 19. 1/18/01 J.B. [unclear]
 20. 1/18/01 J.B. [unclear]
 21. 1/18/01 J.B. [unclear]
 22. 1/18/01 J.B. [unclear]
 23. 1/18/01 J.B. [unclear]
 24. 1/18/01 J.B. [unclear]
 25. 1/18/01 J.B. [unclear]
 26. 1/18/01 J.B. [unclear]
 27. 1/18/01 J.B. [unclear]
 28. 1/18/01 J.B. [unclear]
 29. 1/18/01 J.B. [unclear]
 30. 1/18/01 J.B. [unclear]
 31. 1/18/01 J.B. [unclear]
 32. 1/18/01 J.B. [unclear]
 33. 1/18/01 J.B. [unclear]
 34. 1/18/01 J.B. [unclear]
 35. 1/18/01 J.B. [unclear]
 36. 1/18/01 J.B. [unclear]
 37. 1/18/01 J.B. [unclear]
 38. 1/18/01 J.B. [unclear]
 39. 1/18/01 J.B. [unclear]
 40. 1/18/01 J.B. [unclear]
 41. 1/18/01 J.B. [unclear]
 42. 1/18/01 J.B. [unclear]
 43. 1/18/01 J.B. [unclear]
 44. 1/18/01 J.B. [unclear]
 45. 1/18/01 J.B. [unclear]
 46. 1/18/01 J.B. [unclear]
 47. 1/18/01 J.B. [unclear]
 48. 1/18/01 J.B. [unclear]
 49. 1/18/01 J.B. [unclear]
 50. 1/18/01 J.B. [unclear]
 51. 1/18/01 J.B. [unclear]
 52. 1/18/01 J.B. [unclear]
 53. 1/18/01 J.B. [unclear]
 54. 1/18/01 J.B. [unclear]
 55. 1/18/01 J.B. [unclear]
 56. 1/18/01 J.B. [unclear]
 57. 1/18/01 J.B. [unclear]
 58. 1/18/01 J.B. [unclear]
 59. 1/18/01 J.B. [unclear]
 60. 1/18/01 J.B. [unclear]
 61. 1/18/01 J.B. [unclear]
 62. 1/18/01 J.B. [unclear]
 63. 1/18/01 J.B. [unclear]
 64. 1/18/01 J.B. [unclear]
 65. 1/18/01 J.B. [unclear]
 66. 1/18/01 J.B. [unclear]
 67. 1/18/01 J.B. [unclear]
 68. 1/18/01 J.B. [unclear]
 69. 1/18/01 J.B. [unclear]
 70. 1/18/01 J.B. [unclear]
 71. 1/18/01 J.B. [unclear]
 72. 1/18/01 J.B. [unclear]
 73. 1/18/01 J.B. [unclear]
 74. 1/18/01 J.B. [unclear]
 75. 1/18/01 J.B. [unclear]
 76. 1/18/01 J.B. [unclear]
 77. 1/18/01 J.B. [unclear]
 78. 1/18/01 J.B. [unclear]
 79. 1/18/01 J.B. [unclear]
 80. 1/18/01 J.B. [unclear]
 81. 1/18/01 J.B. [unclear]
 82. 1/18/01 J.B. [unclear]
 83. 1/18/01 J.B. [unclear]
 84. 1/18/01 J.B. [unclear]
 85. 1/18/01 J.B. [unclear]
 86. 1/18/01 J.B. [unclear]
 87. 1/18/01 J.B. [unclear]
 88. 1/18/01 J.B. [unclear]
 89. 1/18/01 J.B. [unclear]
 90. 1/18/01 J.B. [unclear]
 91. 1/18/01 J.B. [unclear]
 92. 1/18/01 J.B. [unclear]
 93. 1/18/01 J.B. [unclear]
 94. 1/18/01 J.B. [unclear]
 95. 1/18/01 J.B. [unclear]
 96. 1/18/01 J.B. [unclear]
 97. 1/18/01 J.B. [unclear]
 98. 1/18/01 J.B. [unclear]
 99. 1/18/01 J.B. [unclear]
 100. 1/18/01 J.B. [unclear]

SHEET 44 OF 21

KENTUCKY DEPARTMENT OF HIGHWAYS
ILLINOIS DEPARTMENT OF PUBLIC WORKS AND BUILDINGS
 PROJECTS 124-1(6) 158, 124-9(1) 10, 124-1(6) 11
 BRIDGE OVER OHIO RIVER ON I-24
 BETWEEN MACCRACKEN COUNTY, KENTUCKY
 AND MASSAC COUNTY, ILLINOIS

HAZLET & BIDAL Consulting Engineers P.O. No. 288	BRIDGE NUMBER	DRAWING NO. 17471
--	------------------	----------------------