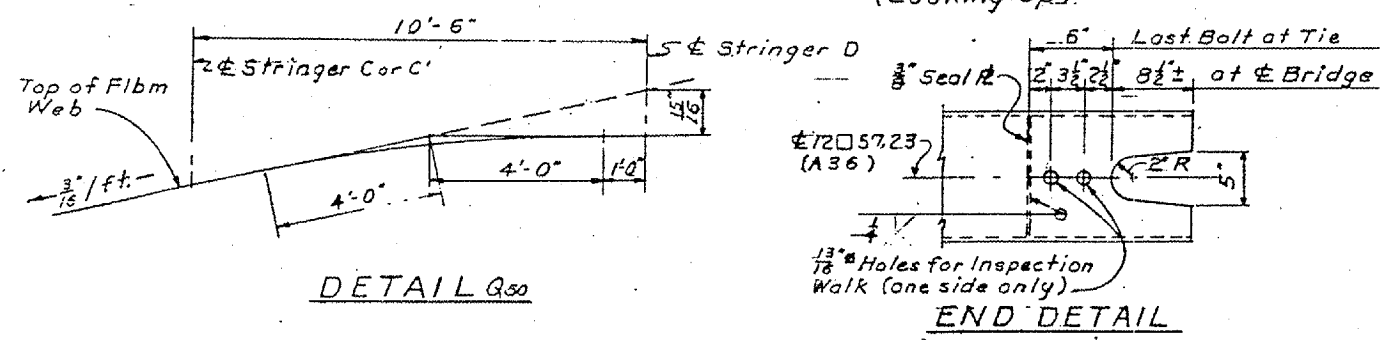
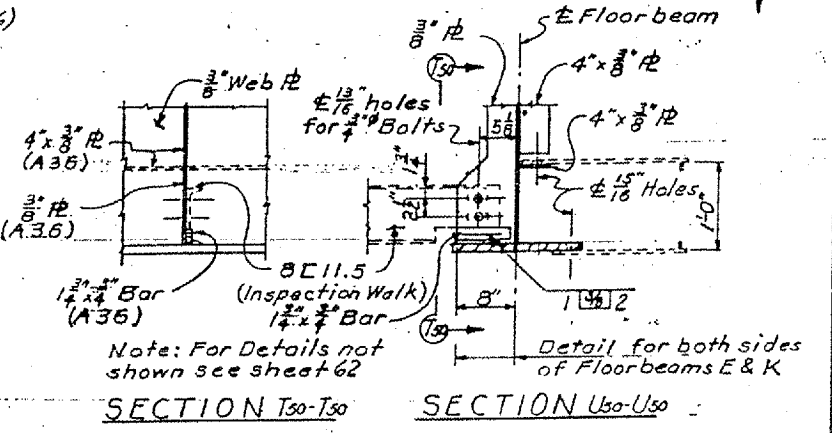
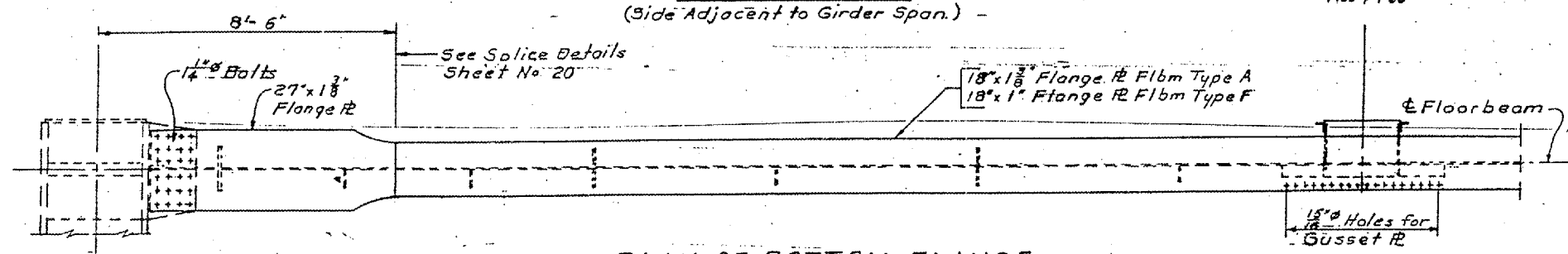
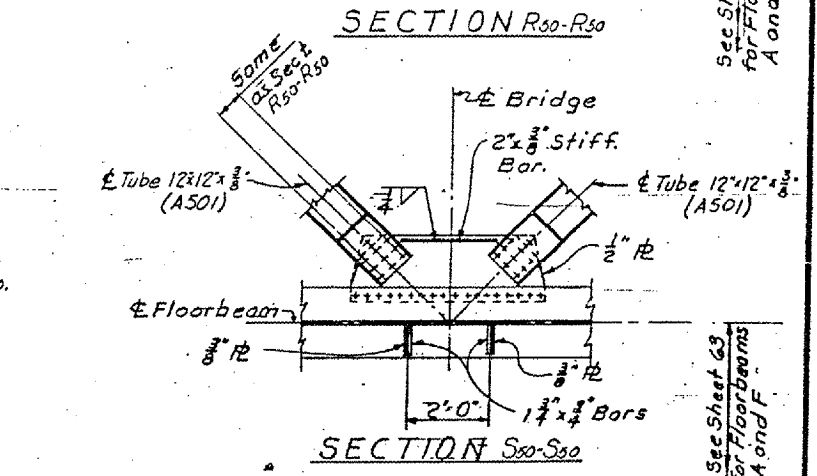
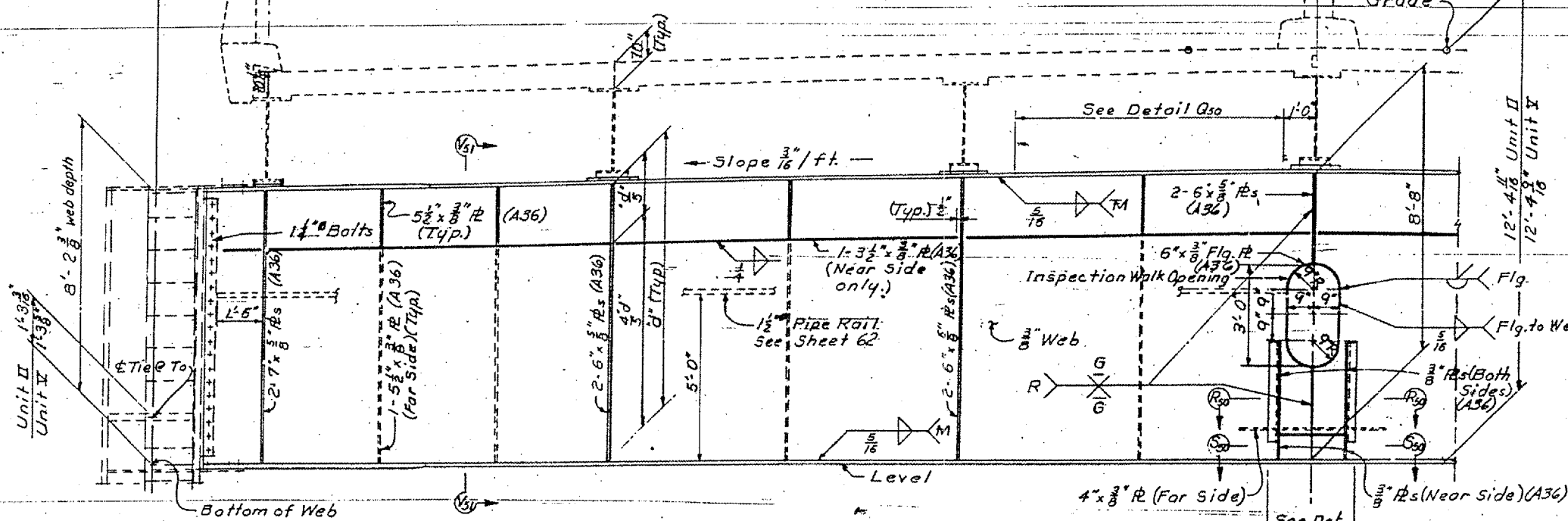
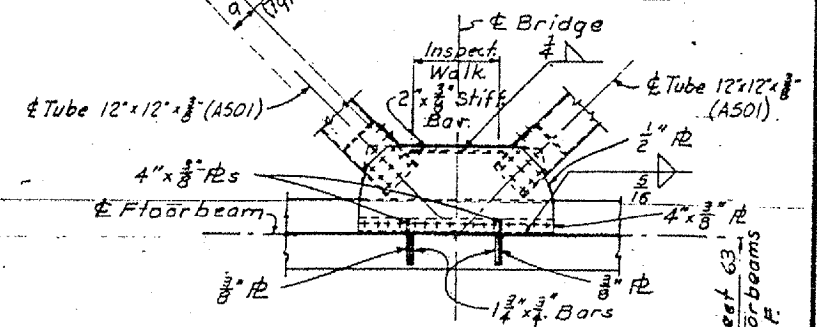
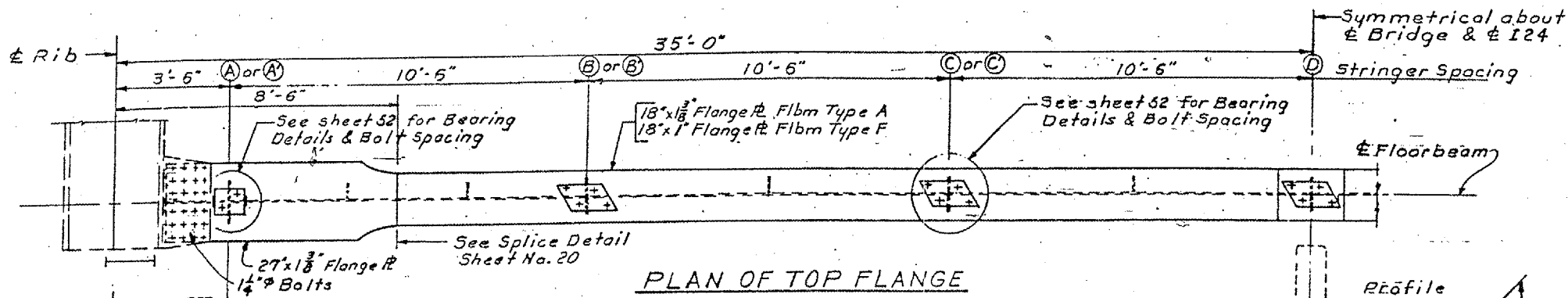


CONTRACT: 98990
 ROUTE: INTERSTATE 24
 SECTION: (64-3B) I-6
 COUNTY: MASSAC, IL; McCRACKEN, KY
 SHEET 35 OF 99
 FOR INFORMATION ONLY



UNITS II & IV
 FLOORBEAM A & F DETAILS
 STRUCTURAL STEEL

KENTUCKY DEPARTMENT OF HIGHWAYS
 ILLINOIS DEPARTMENT OF PUBLIC WORKS
 AND BUILDINGS

PROJECTS 124-1(6) 135, 124-9(1) 10, 124-1(1) 11
 BRIDGE OVER OHIO RIVER ON I-24
 BETWEEN McCRACKEN COUNTY, KENTUCKY
 AND MASSAC COUNTY, ILLINOIS

HAZLET & BEND
 Consulting Engineers
 P.O. No. 888

BRIDGE NUMBER
 17471

DRAWING NO.
 INDEX

DESIGNED BY: JDB
 CHECKED BY: MDC
 DATE: 11-6-60
 DRAWN BY: RAS
 DATE: 11-6-60
 CHECKED BY: RAS
 DATE: 11-6-60
 SCALE: AS SHOWN
 SHEET 35 OF 99