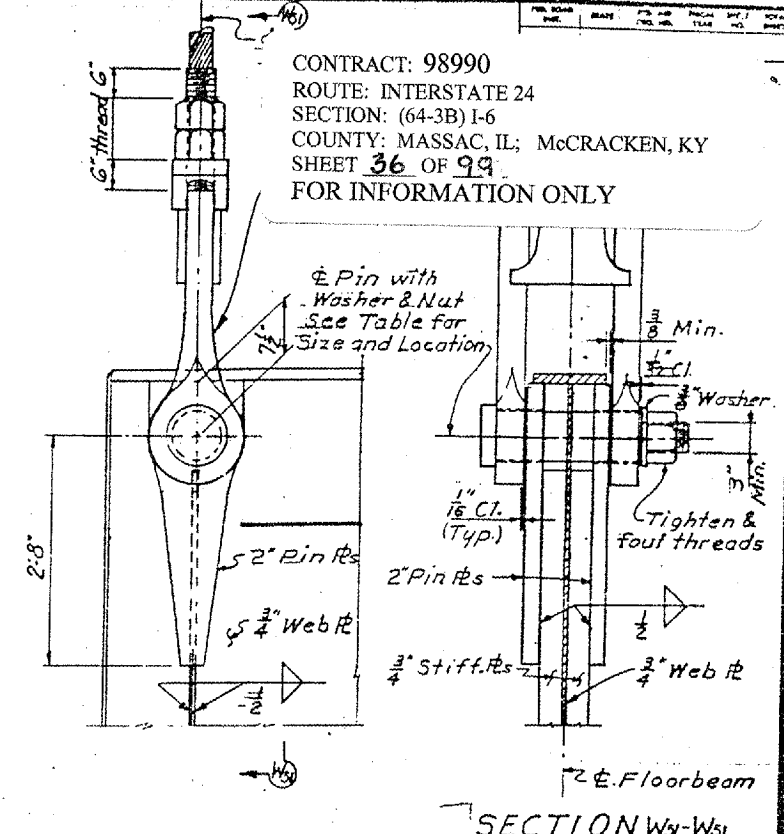
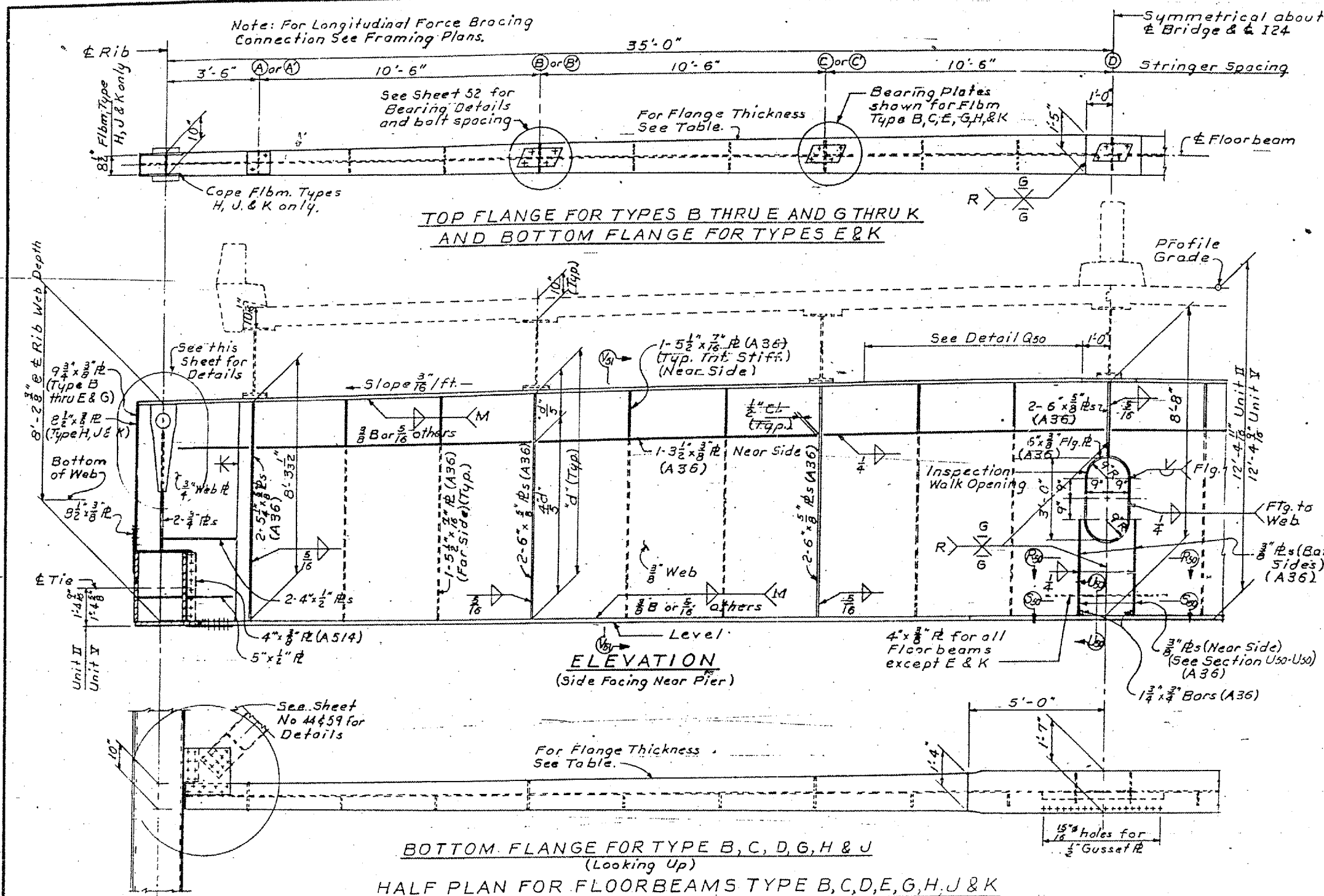


Note: For Longitudinal Force Bracing Connection See Framing Plans.

Symmetrical about Bridge & I 24

CONTRACT: 98990
 ROUTE: INTERSTATE 24
 SECTION: (64-3B) 1-6
 COUNTY: MASSAC, IL; McCRACKEN, KY
 SHEET 36 OF 99
 FOR INFORMATION ONLY



BRIDGE STRAND AND PIN SIZE TABLE

STRAND SIZE	MINIMUM BREAKING STR. TONS	PIN SIZE ①		UNIT II PANEL POINTS	UNIT V PANEL POINTS
		MIN.	MAX.		
3" φ	538	6" φ	6 3/4" φ		T2,4,5,9,11,13,15,17,19
3 1/2" φ	584	6" φ	7" φ		T2,3,4,6,8,7,11,13,14,15
3 3/4" φ	625	6 1/2" φ	7" φ		T1,5,7,10,12,16

- ① Pin shall be A237 Class B Steel. Diameter of Pin hole shall be 1/32" (Max.) larger than the Pin Diameter. The outside Diameter of 3/8" Washer shall be 1" greater than the Pin Diameter.
- ② Forged Eye-rods size and Class shall be selected to be compatible with size and strength of strand and socket furnished.

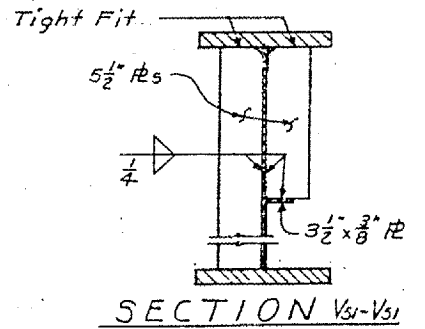
HANGER ASSEMBLY

TOP FLANGE FOR TYPES B THRU E AND G THRU K AND BOTTOM FLANGE FOR TYPES E & K

HALF PLAN FOR FLOORBEAMS TYPE B, C, D, G, H, J & K

FLANGE PLATE THICKNESS

FLOORBEAM TYPE	B	C	D	E	G	H	J	K
THICKNESS	1 1/16"	1 1/16"	1 1/8"	1 1/8"	1 1/2"	1 5/8"	1"	1 5/8"



UNITS II & V
 INTERIOR FLOORBEAM DETAILS
 STRUCTURAL STEEL

KENTUCKY DEPARTMENT OF HIGHWAYS
 ILLINOIS DEPARTMENT OF PUBLIC WORKS
 AND BUILDINGS

PROJECTS 124-11(1) 138, 124-9(1) 10, 124-11(1) 6

BRIDGE OVER OHIO RIVER ON I 24
 BETWEEN McCRACKEN COUNTY, KENTUCKY
 AND MASSAC COUNTY, ILLINOIS

HAZLET & BRAD
 Consulting Engineers
 P.E. No. 288

8:1000
 NUMBER

DRAWING NO.
 17471

DRAWN BY: D.B.
 CHECKED BY: M.D.C.
 DATE: 11-27-60
 PROJECT: I-24
 SHEET: 36 OF 99