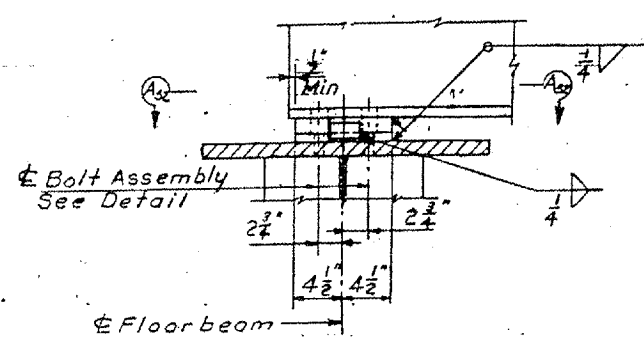
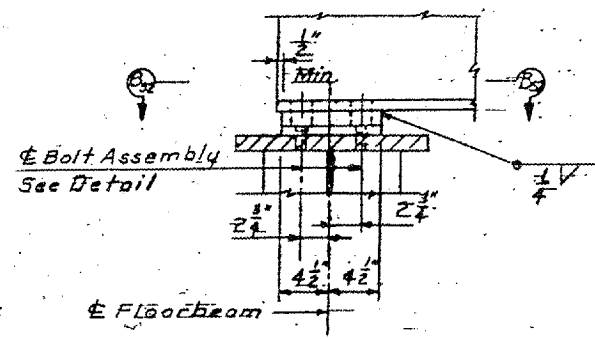


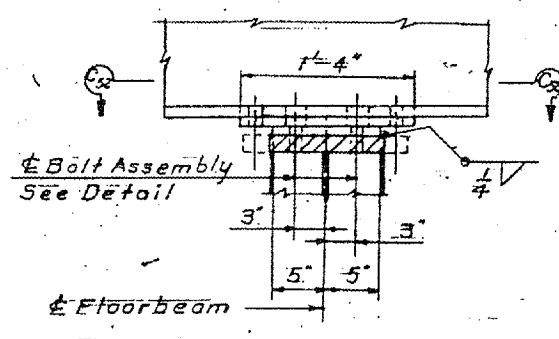
CONTRACT: 98990  
 ROUTE: INTERSTATE 24  
 SECTION: (64-3B)1-6  
 COUNTY: MASSAC, IL; McCRACKEN, KY  
 SHEET 37 OF 99  
 FOR INFORMATION ONLY



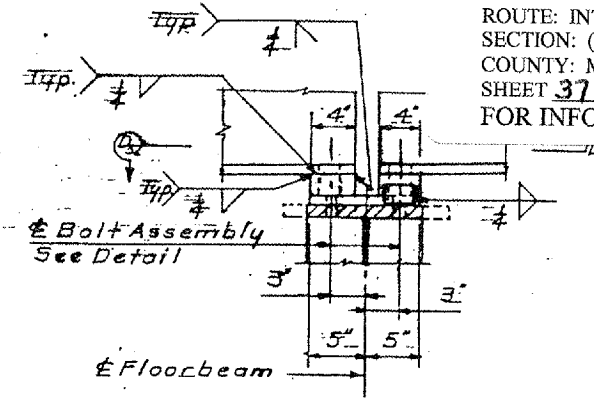
TYPE ①



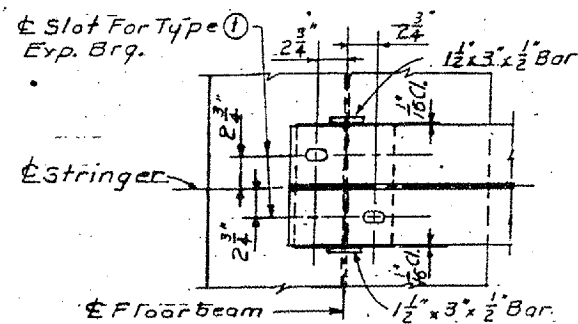
TYPE ② or ③



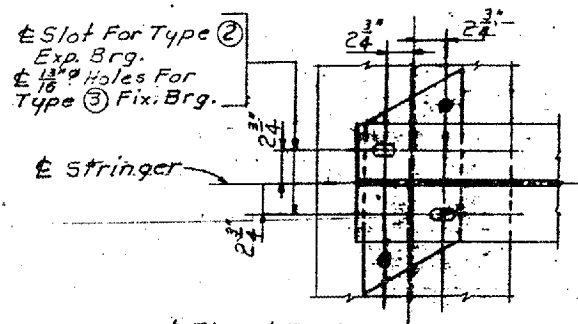
TYPE ④ or ⑤



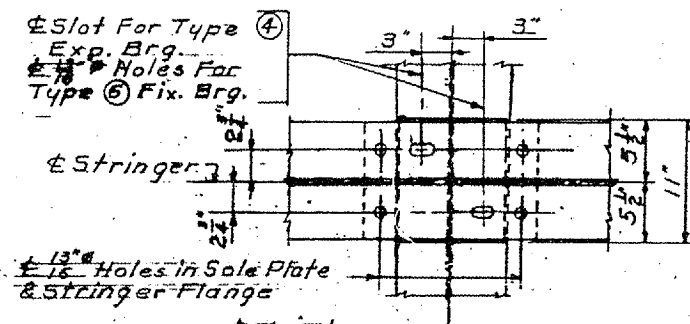
TYPE ⑦



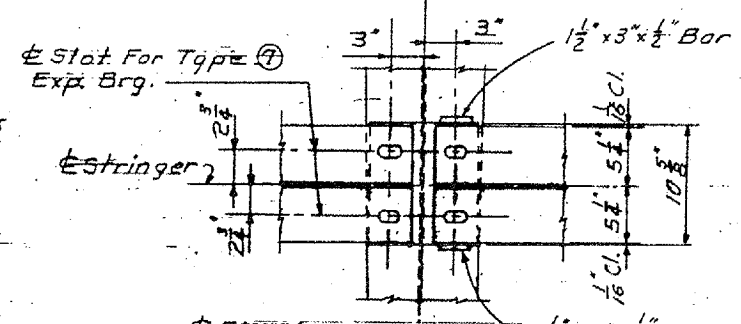
SECTION A52-A52



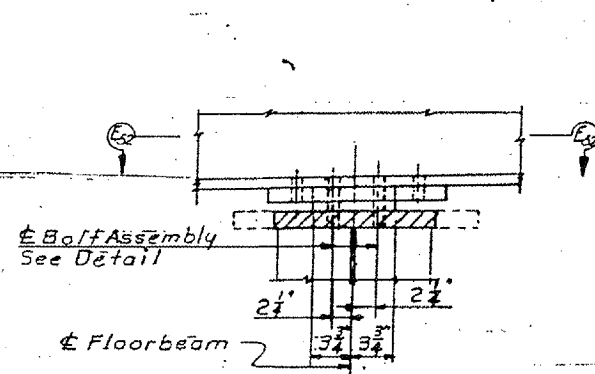
SECTION B52-B52



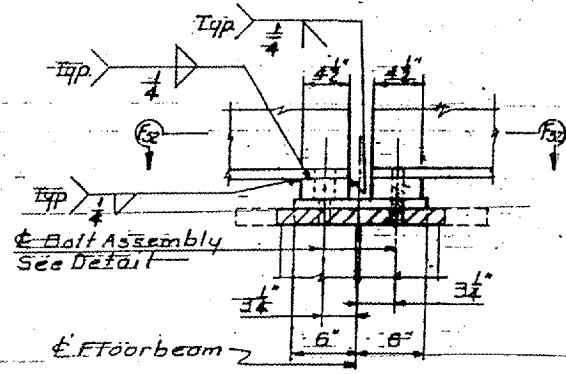
SECTION C52-C52



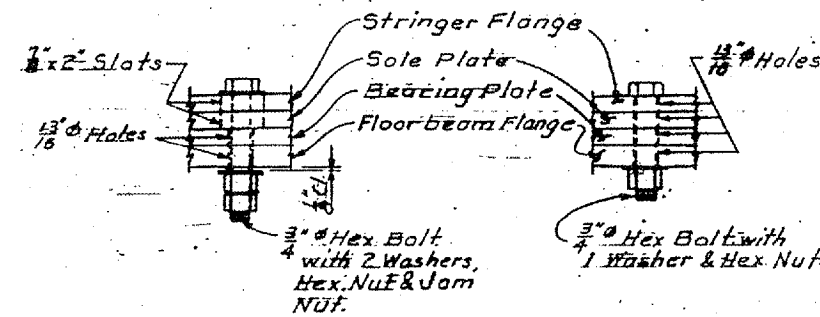
SECTION D52-D52



TYPE ⑤



TYPE ⑧

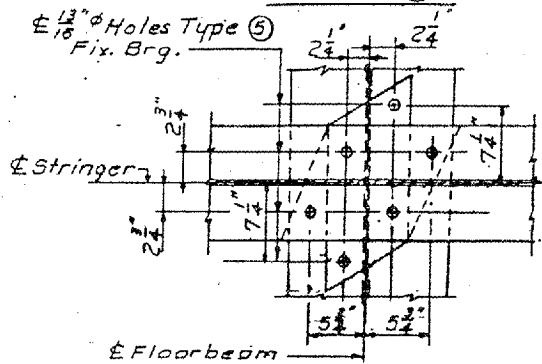


EXPANSION BEARING FIXED BEARING BOLT ASSEMBLY DETAILS

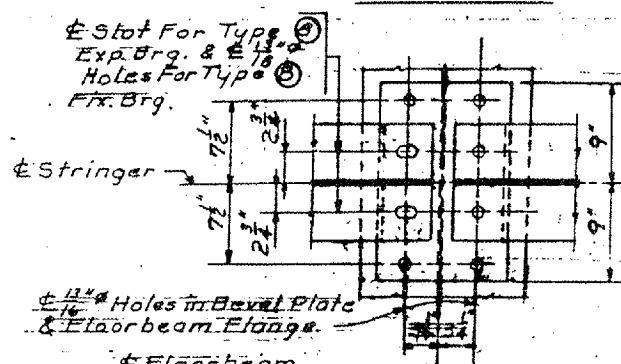
TABLE OF SOLE PLATES THICKNESS "t"

FLOORBEAM TYPE	STRINGERS		
	A or A'	B, C, C' or B'	D
A, H or K	1 1/8"	1 1/8"	2 1/8"
B or G	1"	1"	1 5/8"
C or E	1 1/4"	1 1/4"	2 3/8"
D	1 3/8"	1 3/8"	2 1/8"
F	1 1/8"	2"	2 1/8"
J	2"	2"	2 1/8"

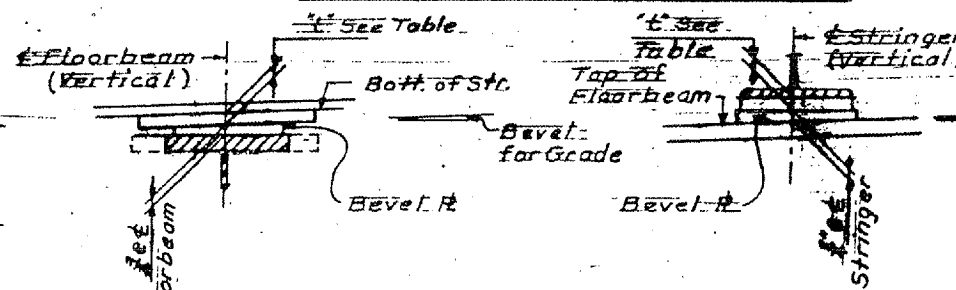
NOTE:  
 All Bolts are 3/4" of this sheet  
 All Sole Plates and Bearing Plates to be A36 steel.



SECTION E52-E52



SECTION F52-F52



STRINGER TO FLOORBEAM CONNECTION DETAILS BEARING DETAILS FOR STRINGERS STRUCTURAL STEEL

KENTUCKY DEPARTMENT OF HIGHWAYS  
 ILLINOIS DEPARTMENT OF PUBLIC WORKS AND BUILDINGS  
 PROJECTS: I 24-11(6) 358, I 24-91(1) 10, I 24-11(6) 1  
 BRIDGE OVER OHIO RIVER ON I 24  
 BETWEEN McCRACKEN COUNTY, KENTUCKY  
 AND MASSAC COUNTY, ILLINOIS

HAZLET & BIDAL Consulting Engineers, Inc. No. 265  
 BRIDGE NUMBER  
 DRAWING NO. 117471  
 INDEX

SHEET 52 OF 121