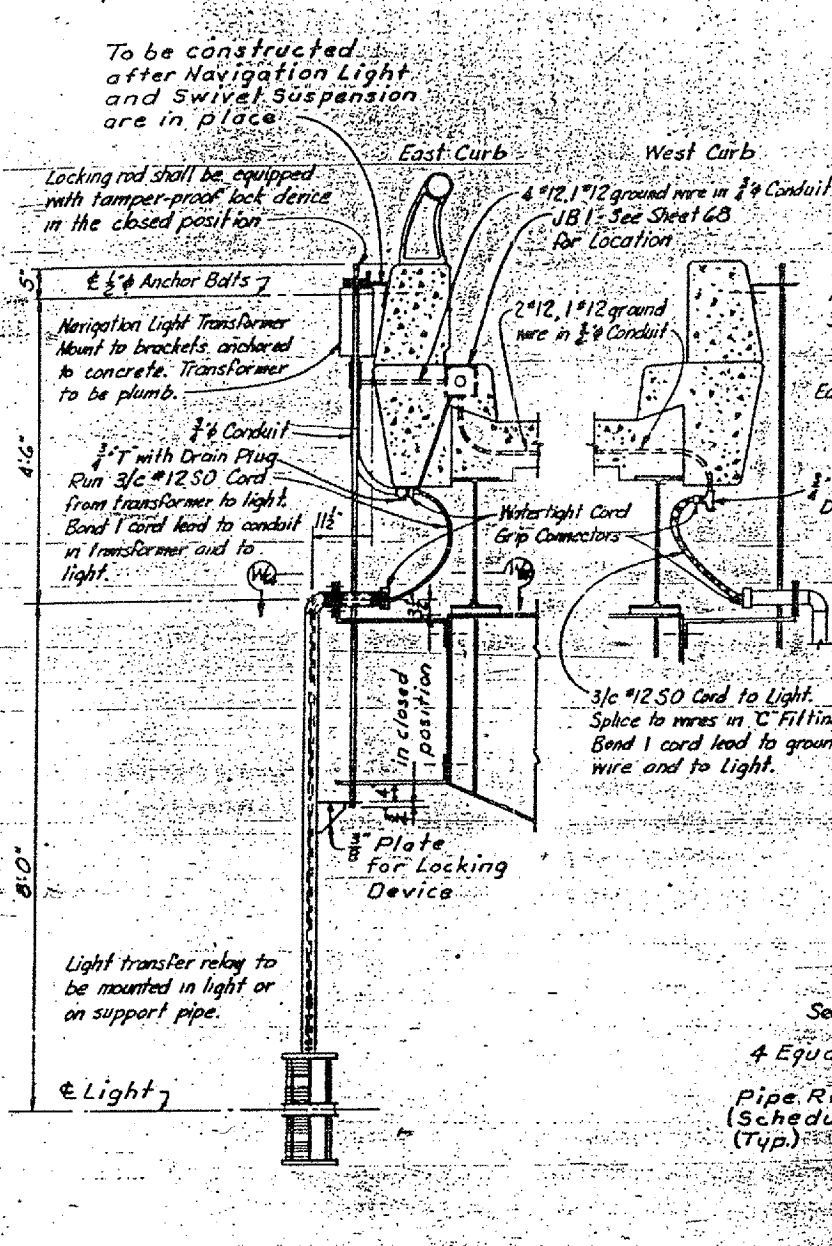
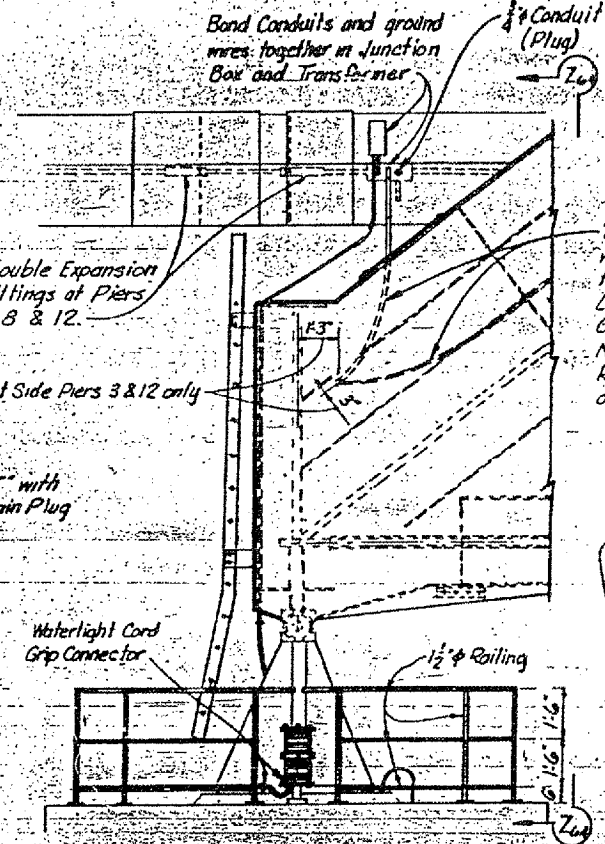


TYPICAL WIRING FOR NAVIGATION LIGHTS AT PIERS 2 & 5 THRU 11 (East Side Shown)

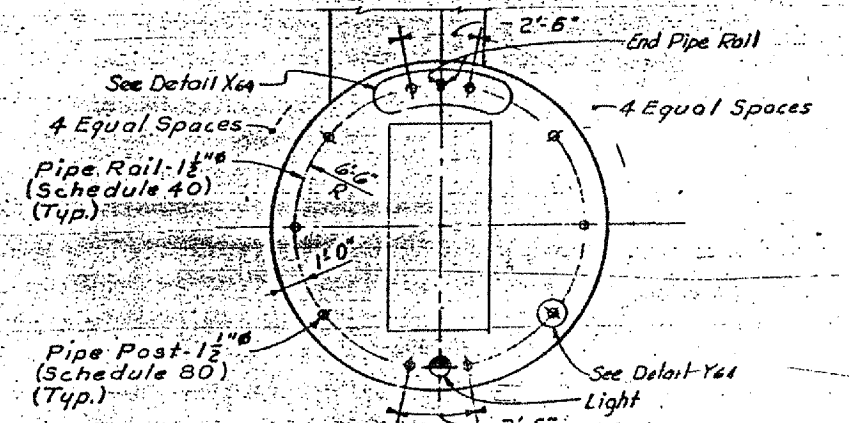


SECTION V6a-V6c

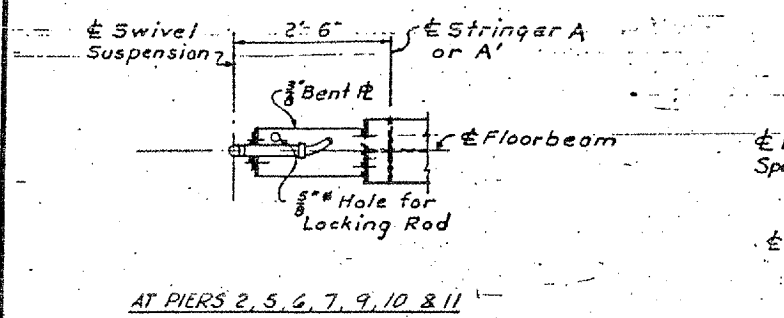


ELEVATION AT PIER 4 & 13 (PIER 3 & 12, Opposite Hand) (East Side Shown)

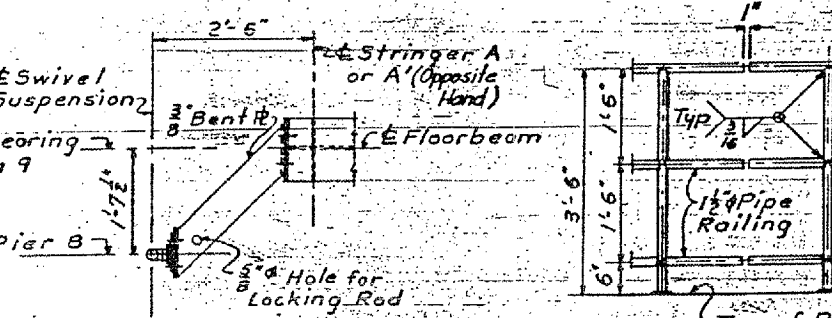
SECTION Z64-Z64



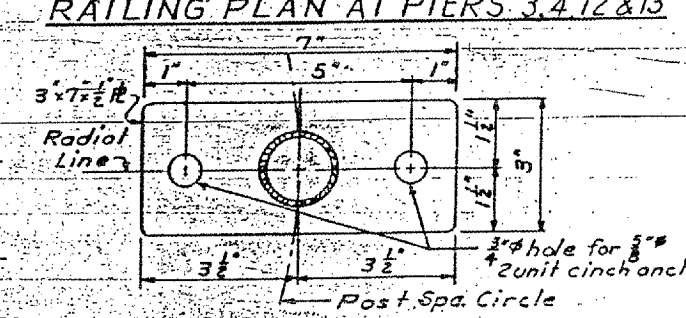
RAILING PLAN AT PIERS 3, 4, 12 & 13



SECTION W6a-W6c



END OF RAIL DETAIL X6a



DETAIL Y6a NAVIGATION LIGHT AND PIPE RAILING

KENTUCKY DEPARTMENT OF HIGHWAYS  
 ILLINOIS DEPARTMENT OF PUBLIC WORKS AND BUILDINGS

PROJECTS: I 24-11(6) 124, I 24-9(1) 10, I 24-11(6) 11  
 BRIDGE OVER OHIO RIVER ON I 24  
 BETWEEN McCRACKEN COUNTY, KENTUCKY AND MASSAC COUNTY, ILLINOIS

HATZEL & BRAD Consulting Engineers File No. 895	BRIDGE NUMBER	DRAWING NO. 17471	INDEX
---	---------------	----------------------	-------

SHEET 64 OF 121