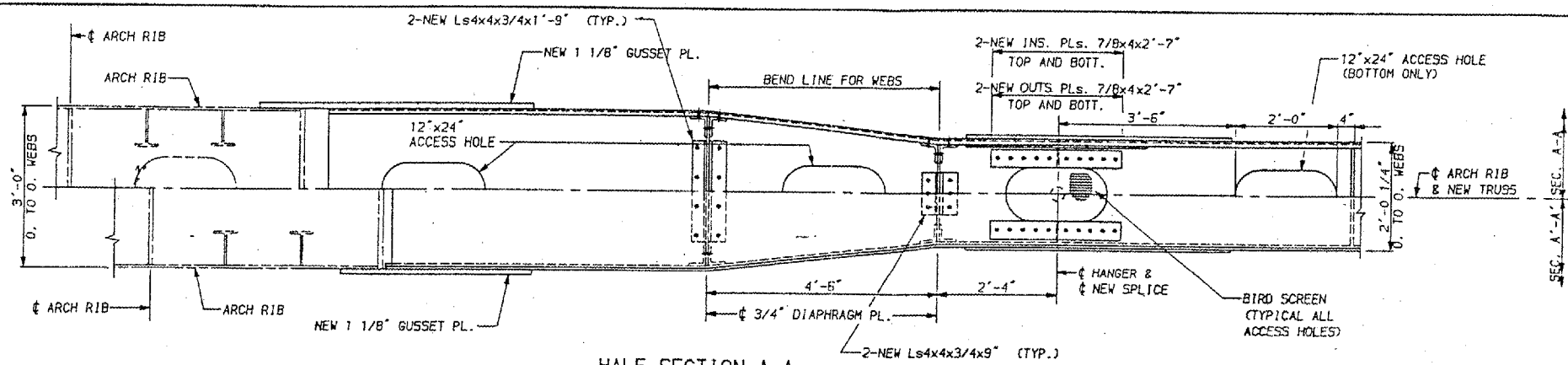
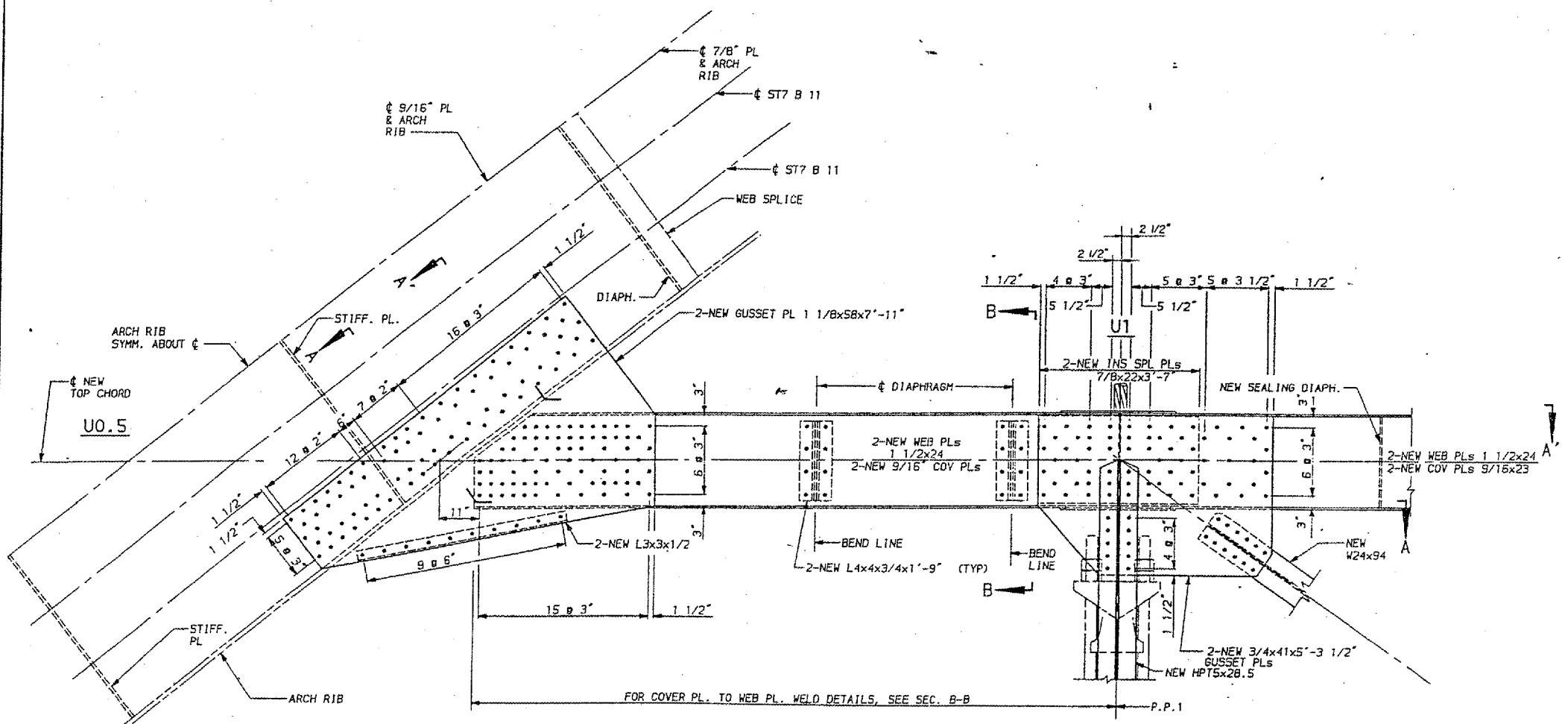


CONTRACT: 98990
 ROUTE: INTERSTATE 24
 SECTION: (64-3B) I-6
 COUNTY: MASSAC, IL; McCracken, KY
 SHEET 57 OF 99
 FOR INFORMATION ONLY

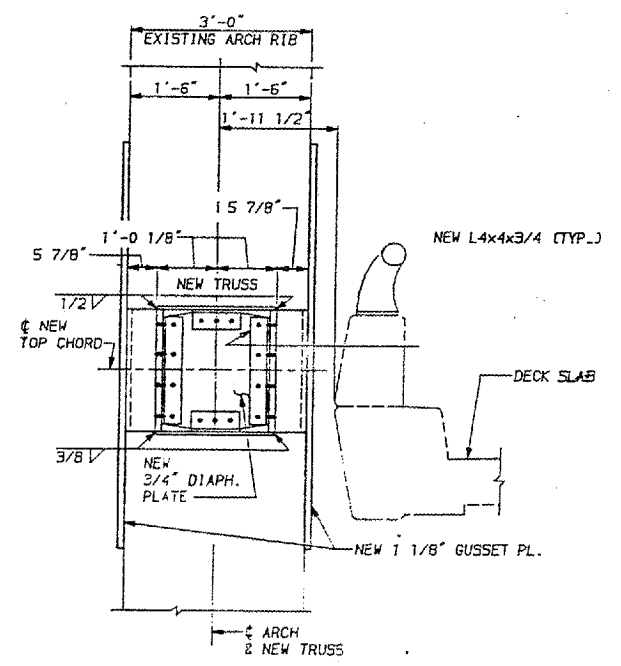
FAI RTE.	SECT.	#	B
24	64-3B-1-3	32	8
ILLINOIS PROJECT			
MASSAC, IL. & McCracken, KY.			



△ HALF SECTION A-A
 HALF SECTION A'-A'



△ END PANEL ELEVATION - U0.5 TO U1



△ SECTION B-B

NOTES:
 FOR GENERAL NOTES, SEE SHEET 3.
 * INDICATES NEW 7/8" H.S. BOLT (M164)
 IN NEW HOLE.
 FOR BIRD SCREEN DETAILS, SEE SHEET 9.
 ALL NEW STRUCTURAL STEEL SHOWN SHALL MEET NOTCH TOUGHNESS REQUIREMENTS (N.T.R.) EXCEPT L4x4x3/4, L3x3x1/2, AND 3/4" DIAPHRAGM PLATE.

PREPARED BY
MODJESKI AND MASTERS
 CONSULTING ENGINEERS

DRAWN: SLH, CMH, DTP
 CHKD: REM
 APPD: JEP
 DATE: 10/11/88

SLH	REM	JEP	MISCELLANEOUS	10/27/88
REV. NO.	DRAWN	CHKD.	APPD.	DESCRIPTION
F A I ROUTE 24 (INTERSTATE 24) OVER OHIO RIVER MASSAC COUNTY ILLINOIS				
UNIT II TRUSS DETAILS - 3				