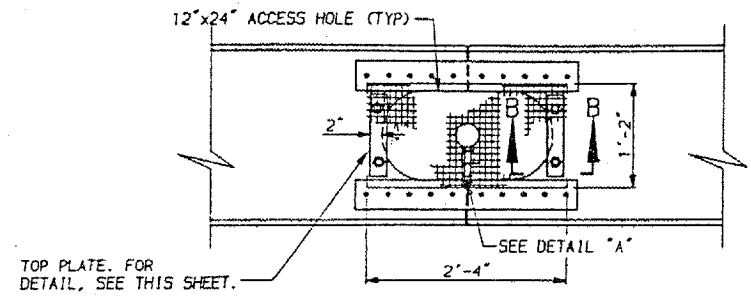
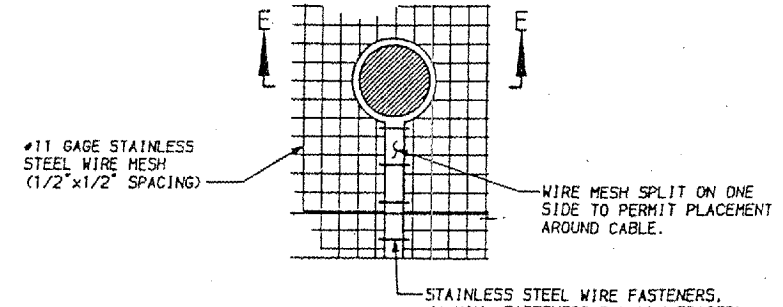


24	64-38-1-3	*	32	14
P.R.V.A. RES.		ILLINOIS PROJECT		
*MASSAC. IL. & McCracken, KY.				

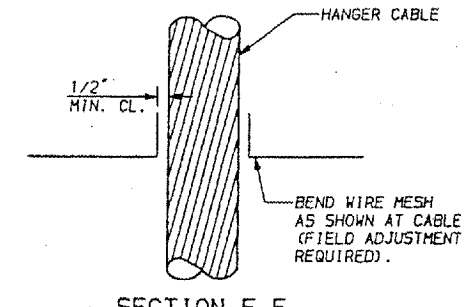


△ BIRD SCREEN DETAIL

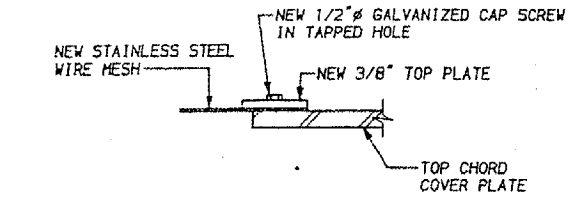
NOTE: BIRD SCREENS SHALL BE INSTALLED AFTER STRUCTURAL BOLTING IS COMPLETED.



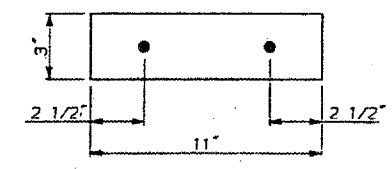
DETAIL A



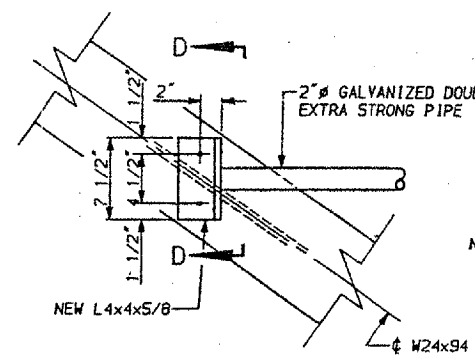
SECTION E-E



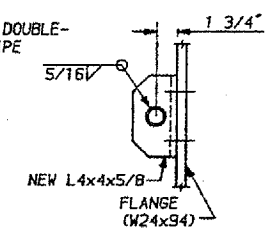
△ SECTION B-B



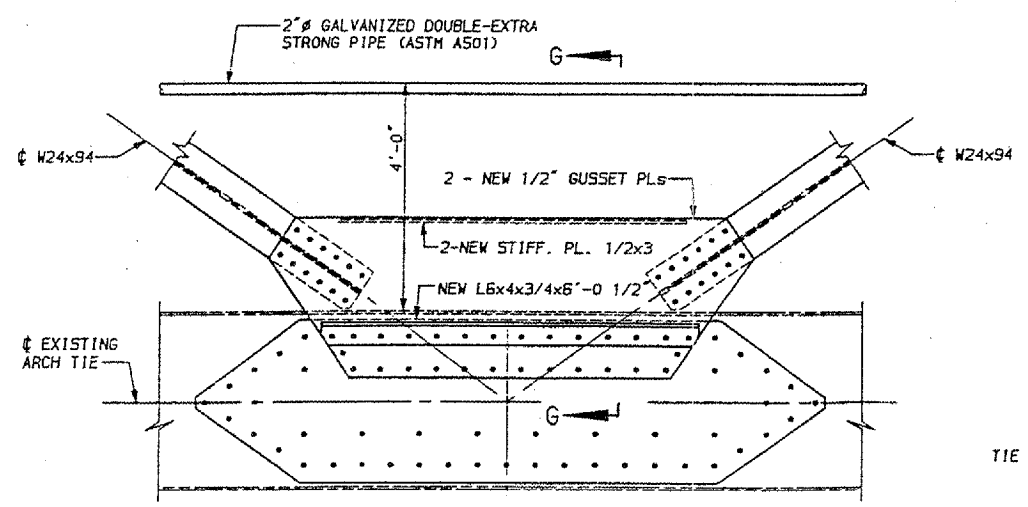
△ 3/8" TOP PLATE DETAIL



RAIL DETAIL
(INTERIOR FACE OF STIFFENING TRUSS SHOWN)

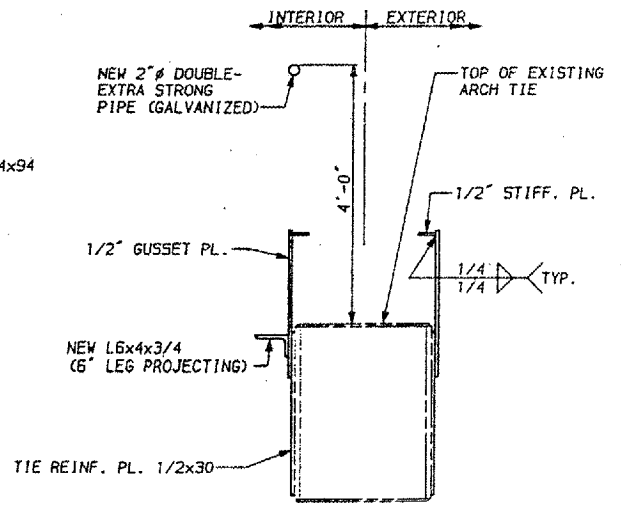


SECTION D-D



△ TYPICAL DETAIL AT DIAGONAL/TIE CONNECTION
(INTERIOR FACE OF STIFFENING TRUSS SHOWN)

NOTE: FOR BOLT SPACING NOT SHOWN SEE SHEET 11.



△ SECTION G-G

NOTES:
 △ FOR GENERAL NOTES, SEE SHEET 3.
 • DENOTES NEW 7/8" H.S. BOLT (M164) IN NEW HOLE.

PREPARED BY
MODJESKI AND MASTERS
 CONSULTING ENGINEERS

DRAWN, DTP
 CHECKED, REM
 APP'D, JEP
 DATE: 10/11/88

REV. NO.	DATE	BY	DESCRIPTION

**F A I ROUTE 24 (INTERSTATE 24)
 OVER OHIO RIVER
 MASSAC COUNTY ILLINOIS**

**UNIT V
 TRUSS DETAILS - 4**