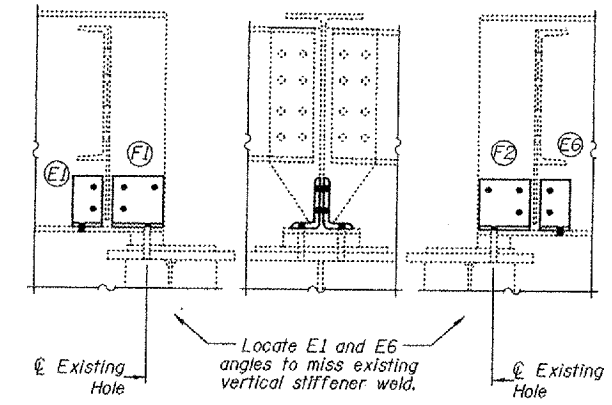
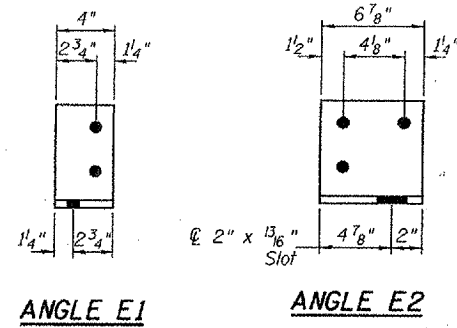
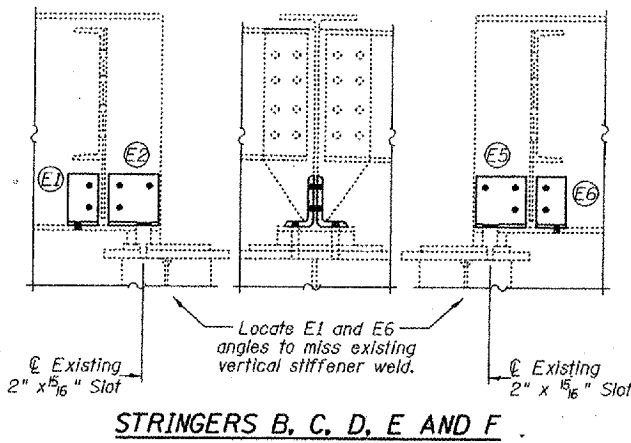
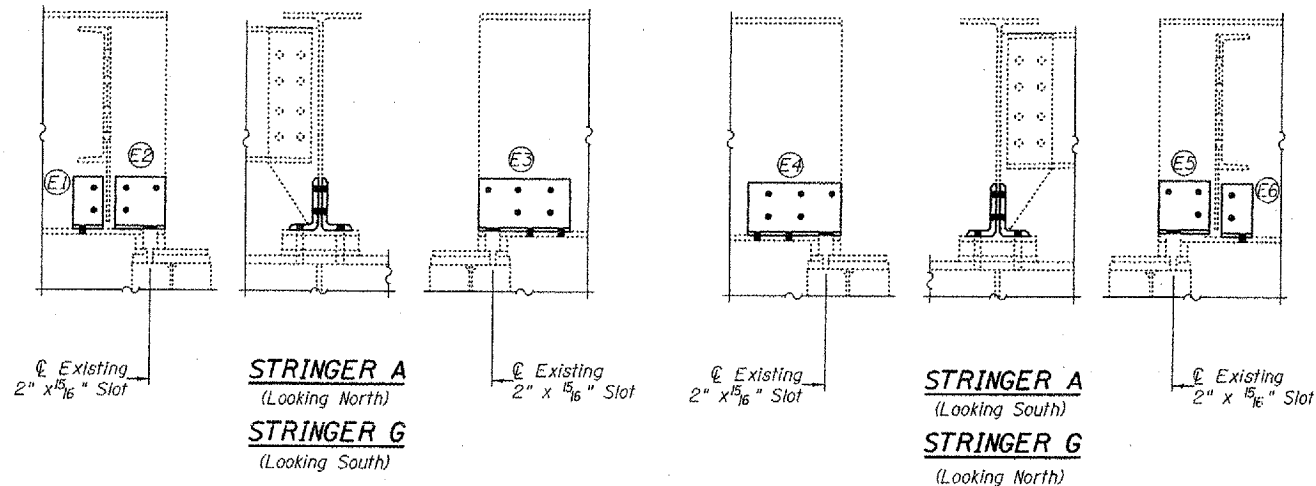


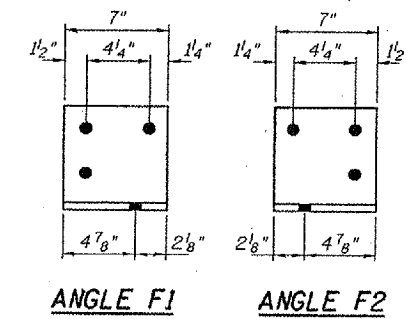
STATE OF ILLINOIS
DEPARTMENT OF TRANSPORTATION

ROUTE NO.
F.A.I.
24
FED. ROAD DIST.

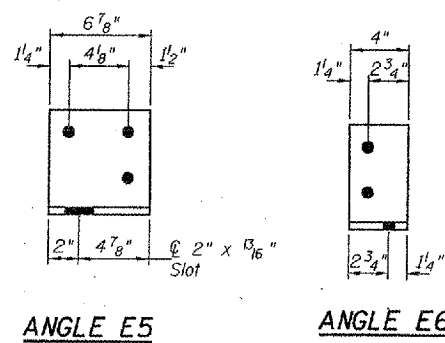
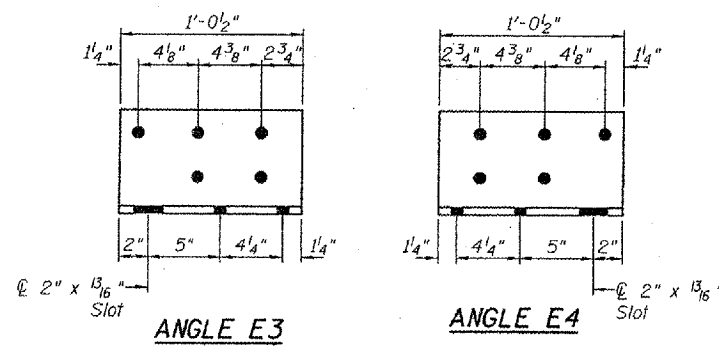
CONTRACT: 98990
ROUTE: INTERSTATE 24
SECTION: (64-3B) I-6
COUNTY: MASSAC, IL; McCRACKEN, KY
SHEET 93 OF 94
FOR INFORMATION ONLY



STRINGERS B, C, D, E AND F



ANGLE F1 ANGLE F2



ANGLE E5 ANGLE E6

REPAIR DETAIL "F"

REPAIR DETAIL "E"

DESIGNED Drew Christopher	December 6, 2002
CHECKED V.H.V.	EXAMINED John A. Morris
DRAWN Drew Christopher	PASSED
CHECKED P.S.J. V.H.V.	ENGINEER OF BRIDGES AND STRUCTURES

REPAIR DETAIL "E" AND "F"
F.A.I. 24 OVER OHIO RIVER
MASSAC COUNTY
S.N. 064-0035