

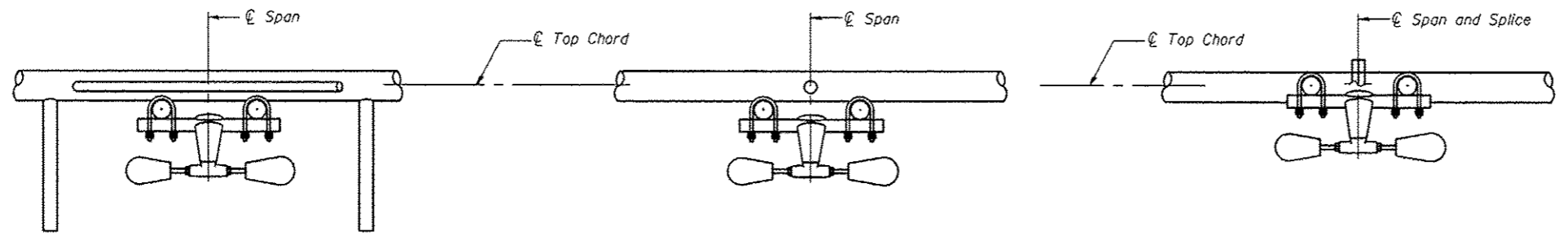
* Center of horizontal to center of splice dimension may vary. Verify before drilling holes in mounting tube.

PLAN DETAIL "A"
 @ Span between Panel Points

PLAN DETAIL "B"
 @ Span at Panel Point

PLAN DETAIL "C"
 @ Span at @ Chord Splice

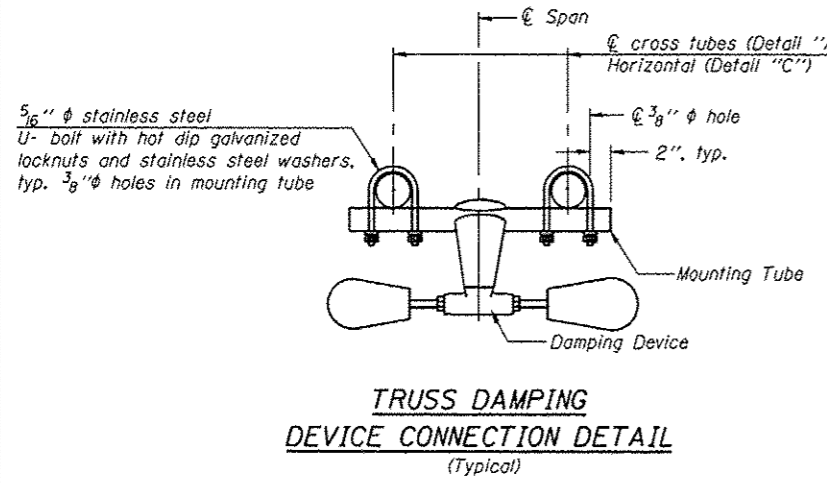
NOTES
 Damper: One damper per truss. (31 lbs. minimum Stockbridge-Type Aluminum - 29" minimum between ends of weights) Cost included in Overhead Sign Structure...
 Materials: Materials: Aluminum tubes shall be ASTM B221 alloy 6061 temper T6. Cost included in Overhead Sign Structure...



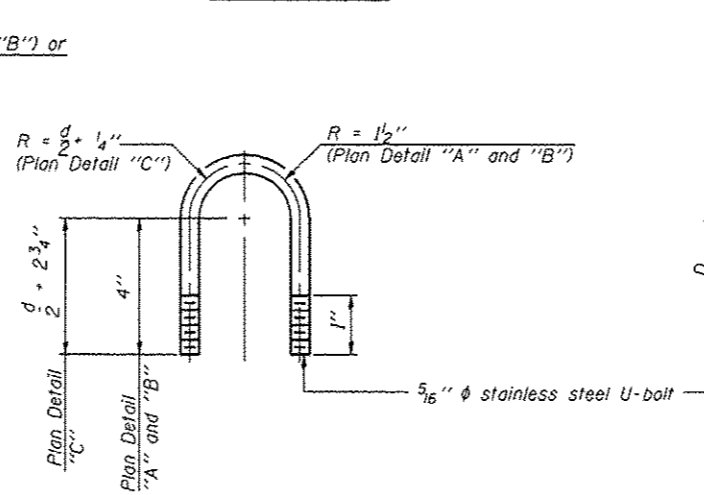
SECTION A-A

SECTION B-B

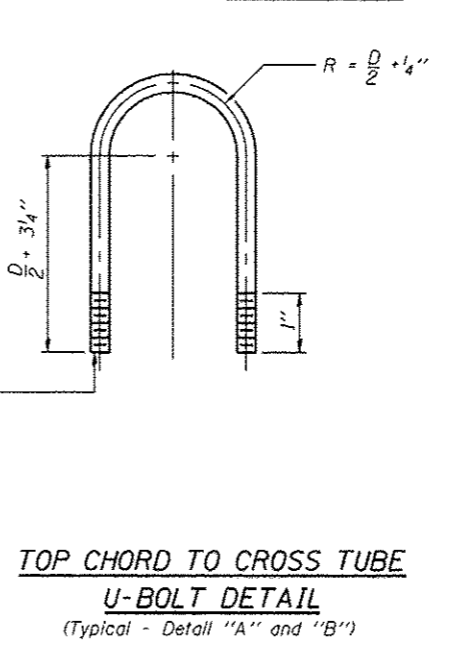
SECTION C-C



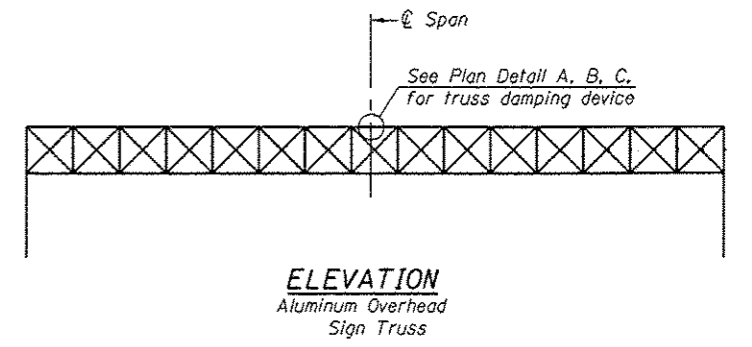
TRUSS DAMPING DEVICE CONNECTION DETAIL
 (Typical)



DAMPING DEVICE MOUNTING TUBE U-BOLT DETAIL
 (Typical)



TOP CHORD TO CROSS TUBE U-BOLT DETAIL
 (Typical - Detail "A" and "B")



ELEVATION
 Aluminum Overhead Sign Truss

OS-A-D

6-1-12

* D-5 OVO SIN STR REPL 2013-09

FILE NAME *	USER NAME = bucklesj	DESIGNED -	REVISED -
c:\pwork\pwork\bucklesj\0308231\054222-Sht-Str-Structure-Details.dgn		DRAWN -	REVISED -
		CHECKED -	REVISED -
		DATE -	REVISED -

STATE OF ILLINOIS
DEPARTMENT OF TRANSPORTATION

OVERHEAD SIGN STRUCTURE			
DAMPING DEVICE			
SCALE:	SHEET	OF SHEETS	STA. TO STA.

F.A.I. RTE.	SECTION	COUNTY	TOTAL SHEETS	SHEET NO.
T4		CHAMPAIGN	50	40
			CONTRACT NO. 46222	
ILLINOIS FED. AID PROJECT				