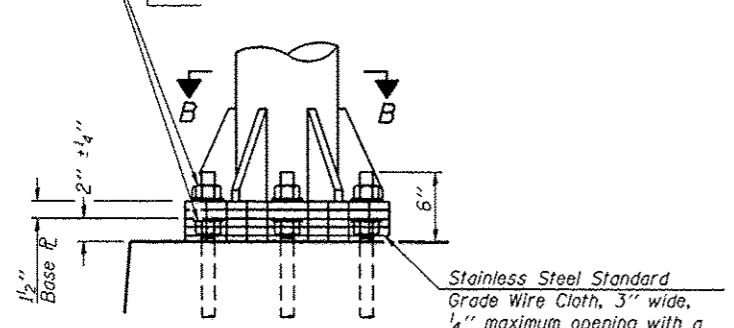


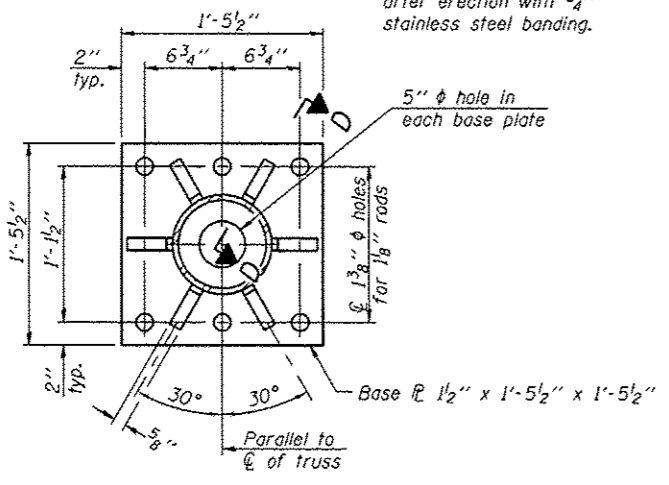
Hexagon locknut and washer (top), leveling nut and washer (bottom). Galvanize per AASHTO M232. Nuts shall each be tightened against base plate with 200 lb.-ft. minimum torque.



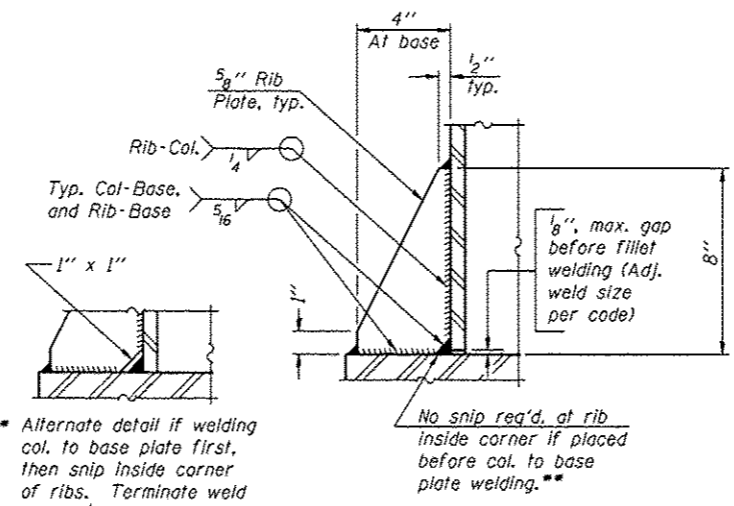
DETAIL B

Ribs shall be cut to fit slope of pipe.

Stainless Steel Standard Grade Wire Cloth, 3" wide, 1/4" maximum opening with a minimum wire diameter of AWG. No. 16 with a minimum 2" lap. Secure to base plate after erection with 3/4" stainless steel banding.



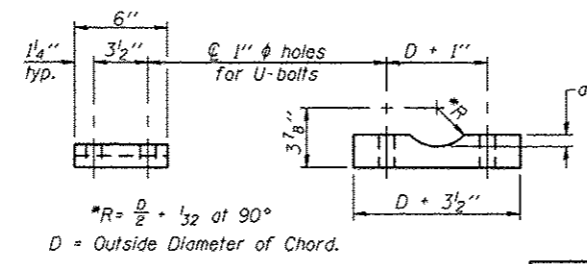
SECTION B-B



SECTION D-D

** Alternate detail if welding col. to base plate first, then snip inside corner of ribs. Terminate weld on rib 1/4" from snip.

No snip req'd. at rib inside corner if placed before col. to base plate welding.



SADDLE SHIM DETAIL

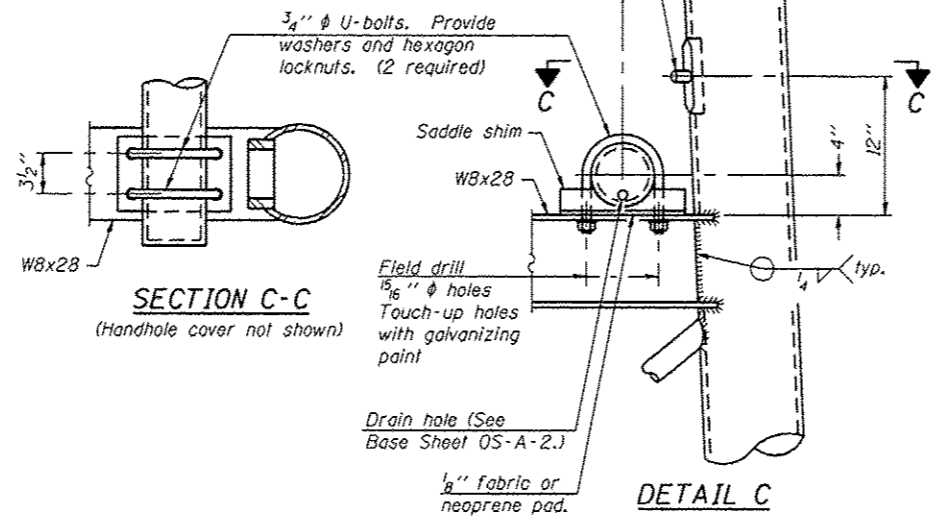
ASTM B26 Alloy 356-F or ASTM B209 Alloy 6061-T651 (4 required per sign truss)

Truss Chord Nominal Dia.	a
5"	3/4"
5 1/2"	13/16"
6"	7/8"
6 1/2"	15/16"

*R = $\frac{D}{2} + \frac{1}{32}$ at 90°
D = Outside Diameter of Chord.

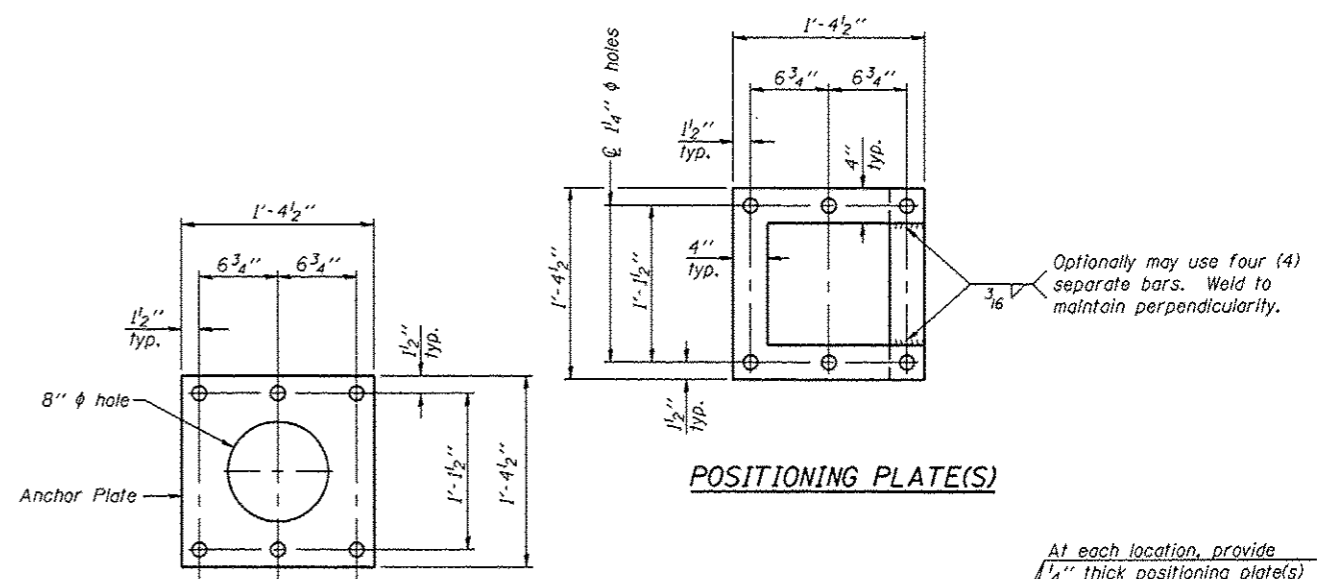
NOTES: Location 5-02

1. New End Supports to be installed on existing concrete foundations and existing anchor bolts. Contractor shall furnish and install new anchor rod locknuts, leveling nuts, and washers. Anchor rod nuts and washers shall be galvanized per Article 1094.02, Article 1006.09, and AASHTO M232.
2. The Contractor shall field verify the existing end support dimensions and the existing anchor bolt dimensions to verify the dimensions provided in the plans prior to fabrication of the new end supports.
3. Removing all grout between the base plate and the foundation, cleaning and painting the exposed anchor bolts, and installing a stainless steel screen will be paid for under "Overhead Sign Support Grout Repair".

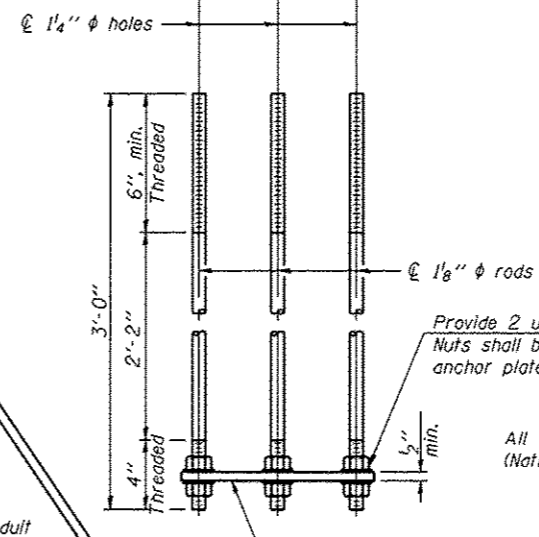


SECTION C-C

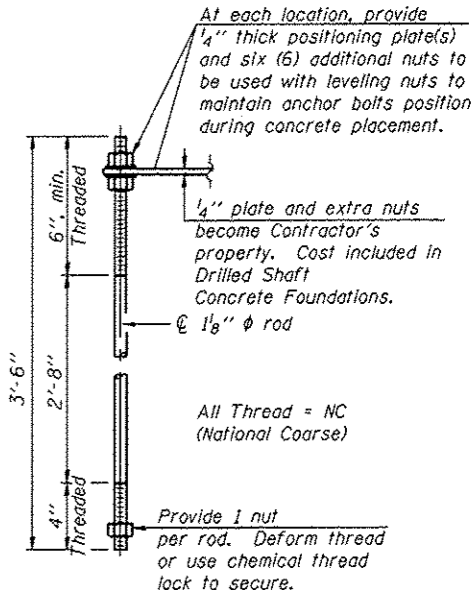
DETAIL C



POSITIONING PLATE(S)



ANCHOR ROD DETAIL



ANCHOR ROD DETAIL

TYPE I-A TRUSS
8" Ø PIPE SUPPORT FRAME DETAILS

RE-USING EXISTING ANCHOR RODS - INFORMATION ONLY

Anchor rods shall conform to ASTM F1554 Grade 105. Galvanize upper 12" minimum per AASHTO M232. No welding shall be permitted on rods.

OS-A-4A

6-1-12

FILE NAME =	USER NAME = bucklesj	DESIGNED -	REVISED -	STATE OF ILLINOIS DEPARTMENT OF TRANSPORTATION	OVERHEAD SIGN STRUCTURES SUPPORT FRAME DETAILS - ALUMINUM TRUSS			F.A.I. RTE.	SECTION	COUNTY	TOTAL SHEETS	SHEET NO.
c:\pwork\pwork\bucllesj\d0389231\054222-Sht-Sign-Structure-Details.dgn	PLOT SCALE = 48,0000' / in.	DRAWN -	REVISED -		74		CHAMPAIGN	50	42			
Default	PLOT DATE = 8/22/2012	CHECKED -	REVISED -		CONTRACT NO. 46222							
		DATE -	REVISED -		ILLINOIS FED. AID PROJECT							

D-5 OVD SIN STR REPL 2013-09