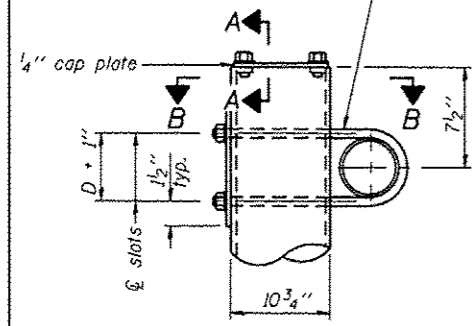
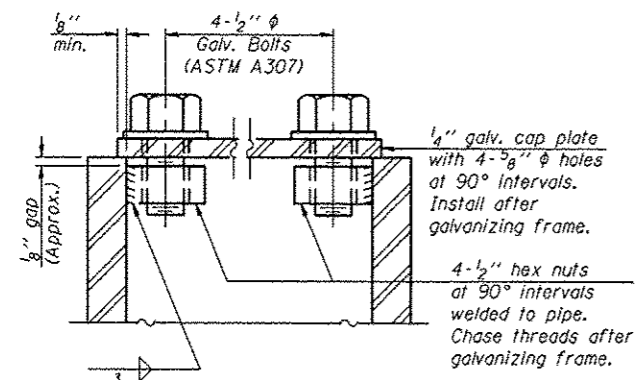


NON STANDARD DESIGN

3/4" φ stainless steel U-bolt.
Provide two washers and two hexagon locknuts. (4)
1 1/16" x 2" slots on 10" φ pipe.
(4 slots required per pipe)

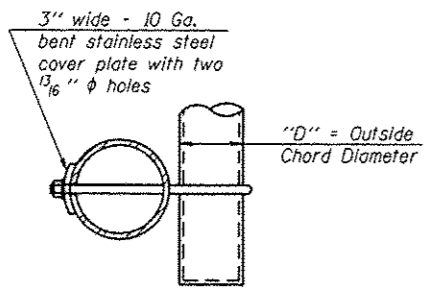


DETAIL A

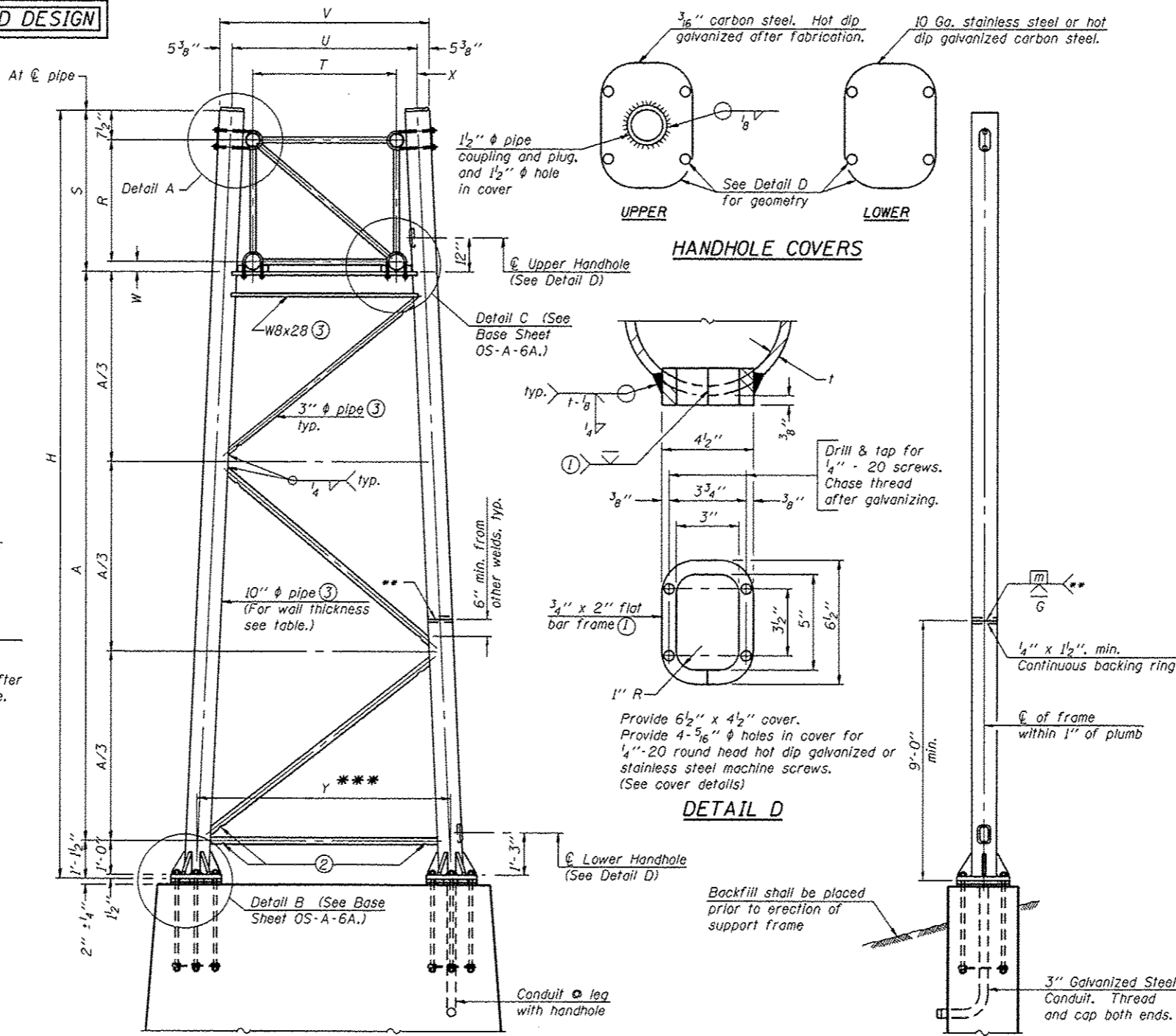


SECTION A-A

As an alternate to bolts, may use galvanized drive-fit caps installed after galvanizing frame.



SECTION B-B



SIDE ELEVATION

For Foundation Details, see base sheet OS-F3 (Spread Footing) or OS4-F3 (Drilled Shaft).

Truss Type	Dimensions							
	R	S	T	U	V	W	X	Y ***
I-A	4'-6"	5'-5 1/2"	4'-0"	5'-6"	6'-4 3/4"	4"	9"	8'-3" ***
II-A (5)	5'-3"	6'-3 1/4"	4'-6"	6'-1"	6'-11 3/4"	4 3/4"	9 1/2"	8'-3"

*** 5-07 5 S 010 1074 L182.76 - LI FDN. Y=8'-3" - RI FDN. Y=8'-1 1/2"
Non-Standard dimension to match existing foundations

10" φ PIPE TRUSS SUPPORT FRAME

One butt welded joint is allowed only on one post per support frame. If used, weld procedure must be pre-approved by Engineer and joint shall receive 100% RT or UT (tension criteria) at Contractor's expense.

Support Design Loads: See Base Sheet OS-A-1 for design and loading criteria.
Load combinations checked include deadload plus:
a) 100% wind normal to sign, 20% parallel to sign
b) 60% wind normal to sign, 30% parallel to sign

- In lieu of fabricated handhole frame as shown, may cut from 2" plate (rolling direction vertical). All cut faces to be ground to ANSI Roughness of 500 μin or less.
- Galvanizing vent holes of adequate size shall be provided on underside at each end of bracing pipes. Alternately, holes may be provided in wall of pipe column. All vent holes shall be drilled and de-burred, typ.
- Steel pipe, plate, carbon steel handhole covers and rolled sections shall be hot dip galvanized after fabrication. Painting is not permitted. See Base Sheet OS-A-1.
- See General Notes for fasteners.
- Dimensions shown are based on selection criteria in the Sign Structures Manual. Nonstandard applications must have dimensions verified or amended as appropriate.
- "H" based on 15'-0" or actual sign height, whichever is greater.

NOTES: Locations 5-01, 5-04, 5-07, 5-08, and 5-09

- New End Supports to be installed on existing concrete foundations and existing anchor bolts. Contractor shall furnish and install new anchor rod locknuts, leveling nuts, and washers. Anchor rod nuts and washers shall be galvanized per Article 1094.02, Article 1006.09, and AASHTO M232.
- The Contractor shall field verify the existing end support dimensions and the existing anchor bolt dimensions to verify the "non-standard" dimensions provided in the plans prior to fabrication of the new end supports.
- Removing all grout between the base plate and the foundation, cleaning and painting the exposed anchor bolts, and installing a stainless steel screen will be paid for under "Overhead Sign Support Grout Repair".

END ELEVATION

Structure Number	Station	Support		Truss Type	Pipe Wall Thickness	H (6)	A
		Left	Right				
5-01 5S 010 1074 R180.40	1134+50	North	South	I-A	0.279	27'-5 1/2"	20'-10 1/2"
5-04 5S 010 1074 R182.43	1243+75	North	South	I-A	0.279	27'-7"	21'-0"
5-07 5S 010 1074 L182.76	1265+75	South	North	I-A	0.279	27'-7"	21'-0"
5-08 5S 010 1074 L181.53	1198+06	South	North	I-A	0.279	27'-4"	20'-9"
5-09 5S 010 1074 L180.76	1160+50	South	North	I-A	0.279	27'-7"	21'-0"

OS-A-6

6-1-12

FILE NAME *	USER NAME *	DESIGNED -	REVISED -
al\px\work\pedit\backles\j\d0380231\054222-Str-Struc-Structure_Details.dgn	bucklesjj	-	-
PLOT SCALE *	CHECKED *	DATE -	REVISED -
1/8" = 1'-0"	8/22/2012	-	-

STATE OF ILLINOIS
DEPARTMENT OF TRANSPORTATION

OVERHEAD SIGN STRUCTURES
SUPPORT FRAME FOR ALUMINUM TRUSS

F.A.I. RTE.	SECTION	COUNTY	TOTAL SHEETS	SHEET NO.
74	-	CHAMPAIGN	50	43
CONTRACT NO. 46222				
[ILLINOIS] FED. AID PROJECT				

* D-5 OVD SIN STR REPL 2013-09