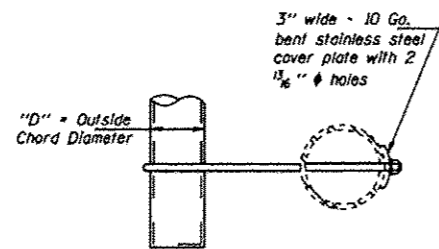
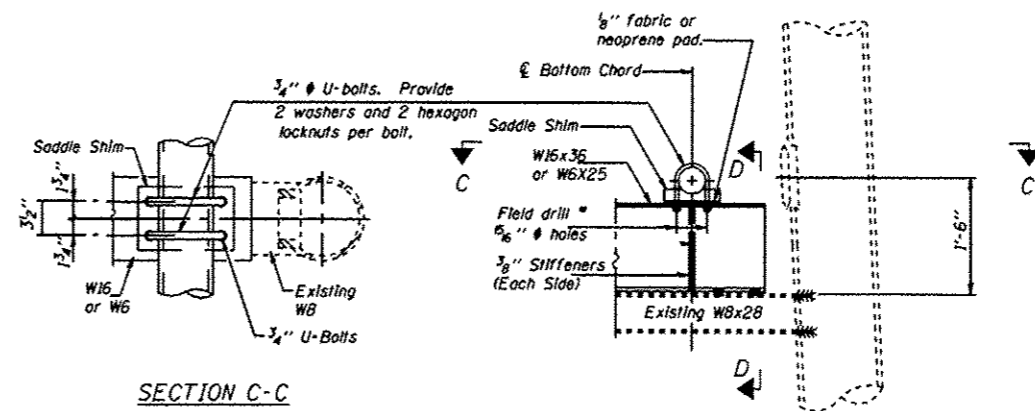


SIDE VIEW

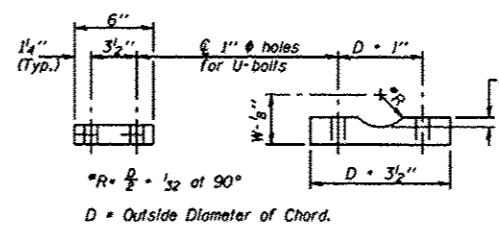


SECTION B-B



SECTION C-C

DETAIL C

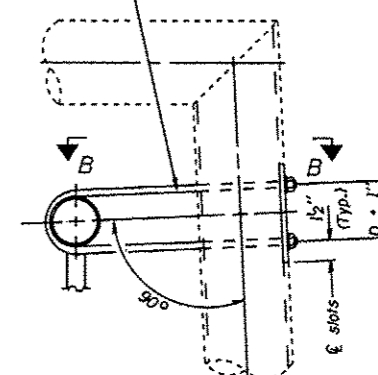


SADDLE SHIM DETAIL

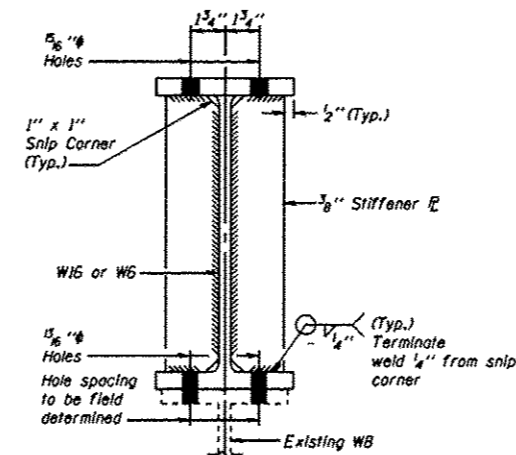
ASTM B26 Alloy 356-F
or
ASTM B209 Alloy 6061-T651
(4 required per sign truss)

Truss Chord Nominal Dia.	a	W
5 1/2"	1 5/8"	4 3/4"
6"	1 7/8"	4 3/4"
6 1/2"	2"	4 3/4"
7"	2 1/4"	5 1/2"
8 1/2"	2 7/8"	5 1/2"
9"	3 1/8"	5 1/2"

3/4" stainless steel U-bolt. Provide two washers and two hexagon locknuts. Field drill 5/8" holes through pipe. (4 holes required per pipe)



DETAIL A



SECTION D-D

OVERHEAD SIGN STRUCTURES
EXISTING SUPPORT FRAME
RETROFIT for ALUMINUM TRUSS

FILE NAME	USER NAME	DESIGNED	REVISED
FILE#		DRAWN	REVISED
		CHECKED	REVISED
		DATE	REVISED

STATE OF ILLINOIS
DEPARTMENT OF TRANSPORTATION

SCALE: _____ SHEET NO. _____ OF _____ SHEETS STA. _____ TO STA. _____

F.A. RTE.	SECTION	COUNTY	TOTAL SHEETS	SHEET NO.
VAR	Q:6_DYDSINSIBREEL12:23	VARIOUS	32	17
				CONTRACT NO. 46226
ILLINOIS FED. AID PROJECT				