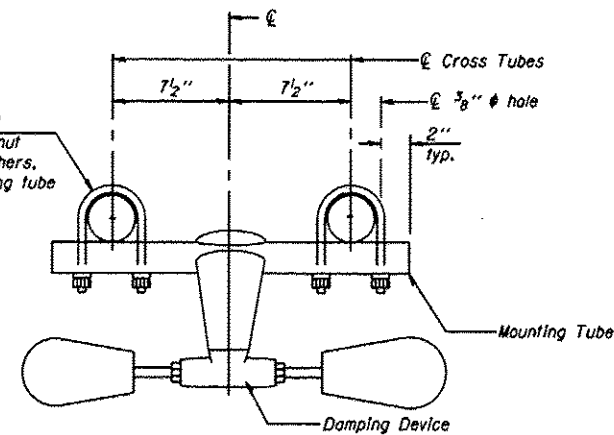
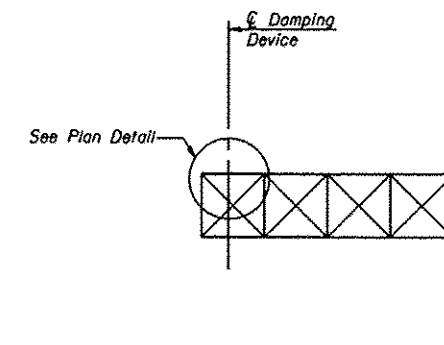


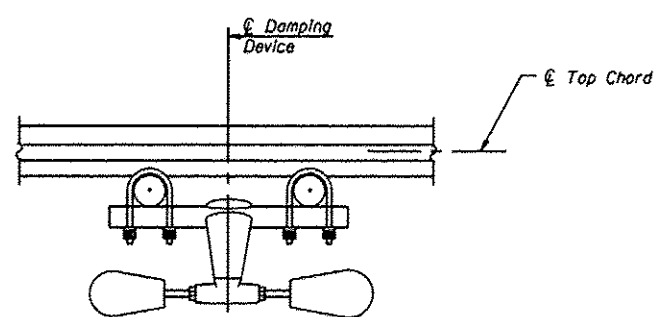
PLAN DETAIL



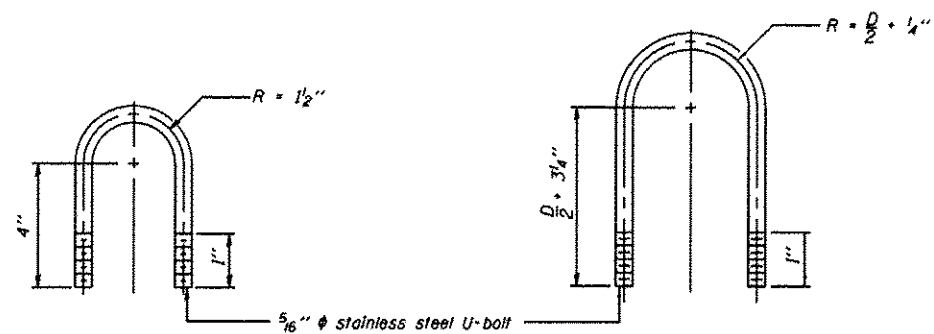
TRUSS DAMPING DEVICE CONNECTION DETAIL



ELEVATION
Aluminum Cantilever
Sign Structure



SECTION A-A



DAMPING DEVICE MOUNTING
TUBE U-BOLT DETAIL
(Typical)

TOP CHORD TO CROSS TUBE
U-BOLT DETAIL
(Typical)

GENERAL NOTES
 Damper: One damper per truss. (31 lbs. Stockbridge-Type Aluminum-29' minimum between ends of weights)
 Materials: Aluminum tubes shall be ASTM B221 alloy 6061 temper T6

OSC-A-D 1-20-11

FILE NAME * #FILE#	USER NAME * #USER#	DESIGNED -	REVISED -	STATE OF ILLINOIS DEPARTMENT OF TRANSPORTATION	CANTILEVER SIGN STRUCTURE			F.A. RTE.	SECTION	COUNTY	TOTAL SHEETS	SHEET NO.
	PLOT SCALE * #SCALE#	DRAWN -	REVISED -		DAMPING DEVICE			VAR	Q-6_DVDSIBSIBREEL12-23	VARIOUS	32	21
	PLOT DATE * #DATE#	CHECKED -	REVISED -		SCALE: _____ SHEET NO. _____ OF _____ SHEETS STA. _____ TO STA. _____			ILLINOIS FED. AID PROJECT				
		DATE -	REVISED -					CONTRACT NO. 46226				