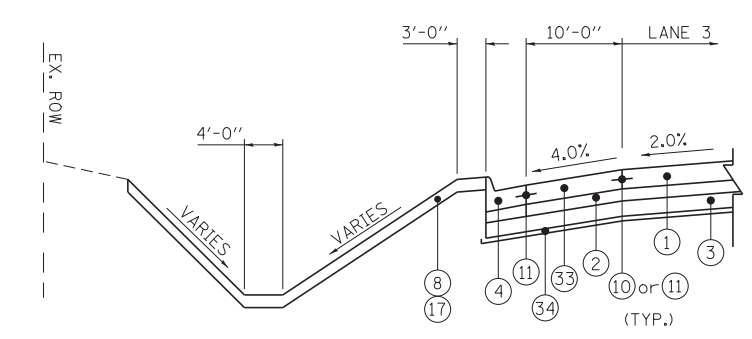
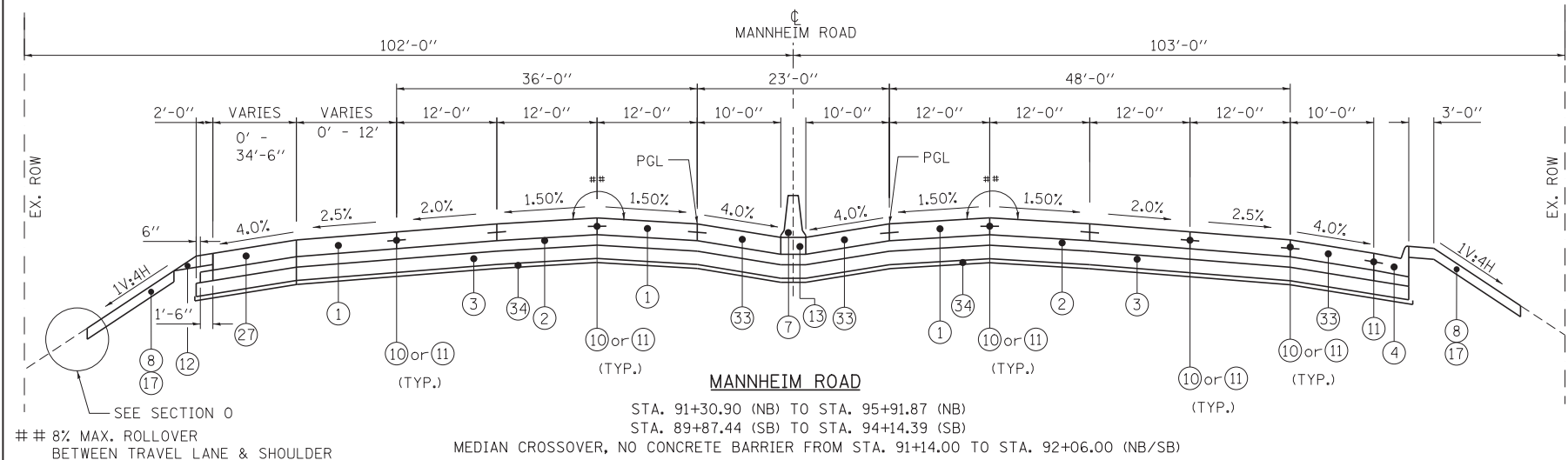


DETAIL F
MANNHEIM ROAD
 STA. 84+89.36 (NB) TO STA. 91+30.90 (NB)
 RAMP B STA. 1203+91.69 (NB) TO STA. 1210+28.33 (NB)

DETAIL H
MANNHEIM ROAD
 STA. 82+87.47 (SB) TO STA. 85+88.34 (SB)
 FOR BALMORAL UNDERPASS EXIT RAMP
 SEE PROPOSED TYPICAL SECTIONS - BALMORAL UNDERPASS



DETAIL O
MANNHEIM ROAD
 STA. 84+50.69 TO STA. 92+18.68 (SB)

- PROPOSED LEGEND:**
- ① PORTLAND CEMENT CONCRETE PAVEMENT 10 3/4" (JOINTED)
 - ② STABILIZED SUBBASE (HMA), 4 1/2"
 - ③ AGGREGATE SUBGRADE IMPROVEMENT 12"
 - ④ COMBINATION CONCRETE CURB AND GUTTER, TYPE M-4.24
 - ⑤ CONCRETE MEDIAN SURFACE, 4 INCH
 - ⑥ COMBINATION CONCRETE CURB AND GUTTER, TYPE B-6.12
 - ⑦ CONCRETE BARRIER, DOUBLE FACE, 32 INCH HEIGHT
 - ⑧ TOPSOIL FURNISH AND PLACE, 6"
 - ⑨ CONCRETE BARRIER, SINGLE FACE, 32 INCH HEIGHT
 - ⑩ LONGITUDINAL SAWED JOINT WITH NO. 6 TIE BARS @ 30" CTS
 - ⑪ LONGITUDINAL CONSTRUCTION JOINT WITH NO. 6 TIE BARS @ 24" CTS
 - ⑫ AGGREGATE SHOULDERS, TYPE B 6"
 - ⑬ CONCRETE BARRIER BASE
 - ⑭ CONCRETE MEDIAN, TYPE SB 6.12
 - ⑮ COMBINATION CONCRETE CURB AND GUTTER, TYPE B-6.24
 - ⑯ PORTLAND CEMENT CONCRETE SIDEWALK 5 INCH
 - ⑰ SEEDING (SEE LANDSCAPE PLANS)
 - ⑱ NO. 6 TIE BARS @ 24" CTS
 - ⑲ POLYMERIZED BITUMINOUS MATERIALS (PRIME COAT)
 - ⑳ POLYMERIZED HMA SURFACE, MIX "F", N90, 1-3/4"
 - ㉑ POLYMERIZED HMA BINDER, IL-19.0, N90, 2-1/4"
 - ㉒ CONCRETE MEDIAN, TYPE SM (SPECIAL)
 - ㉓ PORTLAND CEMENT CONCRETE BASE COURSE WIDENING 10"
 - ㉔ CONCRETE MEDIAN, TYPE SB (SPECIAL)
 - ㉕ HMA SURFACE REMOVAL, VARIABLE DEPTH
 - ㉖ STRIP REFLECTIVE CRACK CONTROL TREATMENT
 - ㉗ HOT-MIX ASPHALT SHOULDER
 - ㉘ HMA SURFACE COURSE, MIX "D", N70 1 1/2"
 - ㉙ 4" PVC (SURVEILLANCE)
 - ㉚ AGGREGATE FILL
 - ㉛ SAND FILL
 - ㉜ CORRUGATED MEDIAN
 - ㉝ PORTLAND CEMENT CONCRETE SHOULDERS 10 3/4"
 - ㉞ GEOTECHNICAL FABRIC FOR GROUND STABILIZATION
 - ㉟ TOPSOIL FURNISH & PLACE, 24"



USER NAME = mkosir	DESIGNED - AS	REVISED -
PLOT SCALE = 1/8"=1'	DRAWN - FZ	REVISED -
PLOT DATE = 19-OCT-2012	CHECKED - AS	REVISED -
	DATE 10/19/12	REVISED -

STATE OF ILLINOIS
DEPARTMENT OF TRANSPORTATION

PROPOSED TYPICAL SECTIONS - MANNHEIM ROAD				
SCALE:	SHEET NO.	OF SHEETS	STA.	TO STA.

F.A.P. RTE.	SECTION	COUNTY	TOTAL SHEETS	SHEET NO.
330	0105 WRS&HB	COOK	605	40
CONTRACT NO. 60G37				
ILLINOIS FED. AID PROJECT				

TYP-6