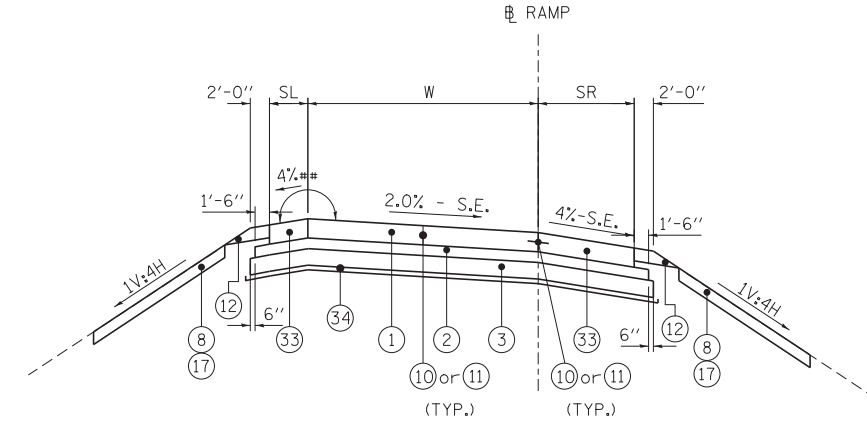


**RAMP SBEB**

STA. 1001+59.41 TO STA. 1002+60.00  
 SR = 10'-0"  
 W = 21'-0"  
 SL = 4'-0"

**RAMP EBNB**

STA. 1103+07.23 TO STA. 1104+97.65  
 SR = 10'-0"  
 W = 21'-0"  
 SL = 4'-0"

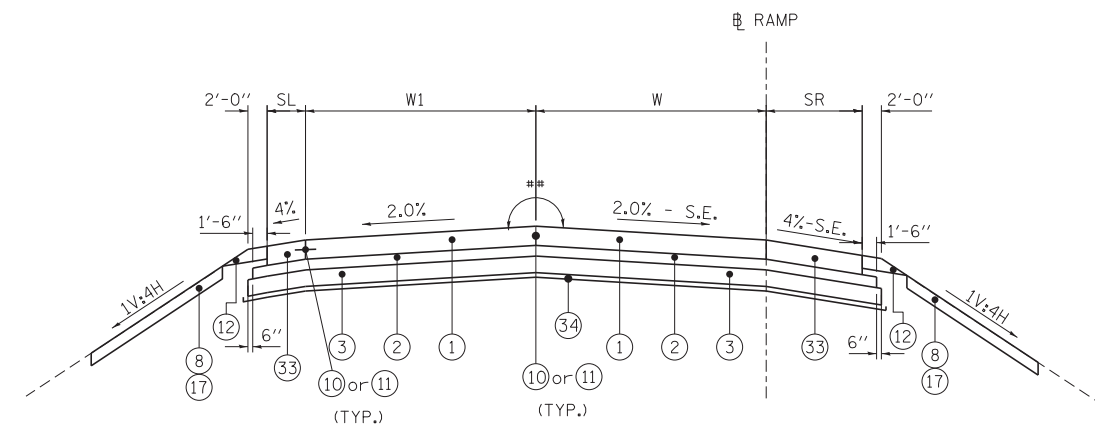


**RAMP A**

STA. 17+07.34 TO STA. 21+03.91  
 SR = 6'-0"  
 W = 16'-0"  
 SL = 4'-0"

**RAMP B**

STA. 1203+15.49 TO STA. 1203+91.69  
 SR = 6'-0"  
 W = 16'-0"  
 SL = 4'-0"



**RAMP M2CD1**

STA. 904+54.82 TO STA. 913+63.41  
 SR = 6'-0"  
 W = VARIES 16'-0" TO 22'-0"  
 W1 = VARIES 0'-0" TO 14'-9"  
 SL = 4'-0"

## 8% MAX. ROLLOVER  
 BETWEEN TRAVEL LANE & SHOULDER

**PROPOSED LEGEND:**

- ① PORTLAND CEMENT CONCRETE PAVEMENT 10 3/4" (JOINTED)
- ② STABILIZED SUBBASE (HMA), 4 1/2"
- ③ AGGREGATE SUBGRADE IMPROVEMENT 12"
- ④ COMBINATION CONCRETE CURB AND GUTTER, TYPE M-4.24
- ⑤ CONCRETE MEDIAN SURFACE, 4 INCH
- ⑥ COMBINATION CONCRETE CURB AND GUTTER, TYPE B-6.12
- ⑦ CONCRETE BARRIER, DOUBLE FACE, 32 INCH HEIGHT
- ⑧ TOPSOIL FURNISH AND PLACE, 6"
- ⑨ CONCRETE BARRIER, SINGLE FACE, 32 INCH HEIGHT
- ⑩ LONGITUDINAL SAWED JOINT WITH NO. 6 TIE BARS @ 30" CTS
- ⑪ LONGITUDINAL CONSTRUCTION JOINT WITH NO. 6 TIE BARS @ 24" CTS
- ⑫ AGGREGATE SHOULDERS, TYPE B 6"

- ⑬ CONCRETE BARRIER BASE
- ⑭ CONCRETE MEDIAN, TYPE SB 6.12
- ⑮ COMBINATION CONCRETE CURB AND GUTTER, TYPE B-6.24
- ⑯ PORTLAND CEMENT CONCRETE SIDEWALK 5 INCH
- ⑰ SEEDING (SEE LANDSCAPE PLANS)
- ⑱ NO. 6 TIE BARS @ 24" CTS
- ⑲ POLYMERIZED BITUMINOUS MATERIALS (PRIME COAT)
- ⑳ POLYMERIZED HMA SURFACE, MIX "F", N90, 1-3/4"
- ㉑ POLYMERIZED HMA BINDER, IL-19.0, N90, 2-1/4"
- ㉒ CONCRETE MEDIAN, TYPE SM (SPECIAL)
- ㉓ PORTLAND CEMENT CONCRETE BASE COURSE WIDENING 10"
- ㉔ CONCRETE MEDIAN, TYPE SB (SPECIAL)
- ㉕ HMA SURFACE REMOVAL, VARIABLE DEPTH
- ㉖ STRIP REFLECTIVE CRACK CONTROL TREATMENT
- ㉗ HOT-MIX ASPHALT SHOULDER
- ㉘ HMA SURFACE COURSE, MIX "D", N70 1 1/2"
- ㉙ 4" PVC (SURVEILLANCE)
- ㉚ AGGREGATE FILL
- ㉛ SAND FILL
- ㉜ CORRUGATED MEDIAN
- ㉝ PORTLAND CEMENT CONCRETE SHOULDERS 10 3/4"
- ㉞ GEOTECHNICAL FABRIC FOR GROUND STABILIZATION
- ㉟ TOPSOIL FURNISH & PLACE, 24"



USER NAME = mikosir	DESIGNED - AS	REVISED -
PLOT SCALE = 1/8"=1'	DRAWN - FZ	REVISED -
PLOT DATE = 19-OCT-2012	CHECKED - AS	REVISED -
	DATE 10/19/12	REVISED -

**STATE OF ILLINOIS  
 DEPARTMENT OF TRANSPORTATION**

**PROPOSED TYPICAL SECTIONS -  
 MANNHEIM ROAD RAMP**

SCALE: SHEET NO. OF SHEETS STA. TO STA.

F.A.P. RTE.	SECTION	COUNTY	TOTAL SHEETS	SHEET NO.
330	0105 WRS&HB	COOK	605	42
CONTRACT NO. 60G37				
ILLINOIS FED. AID PROJECT				

**TYP-8**