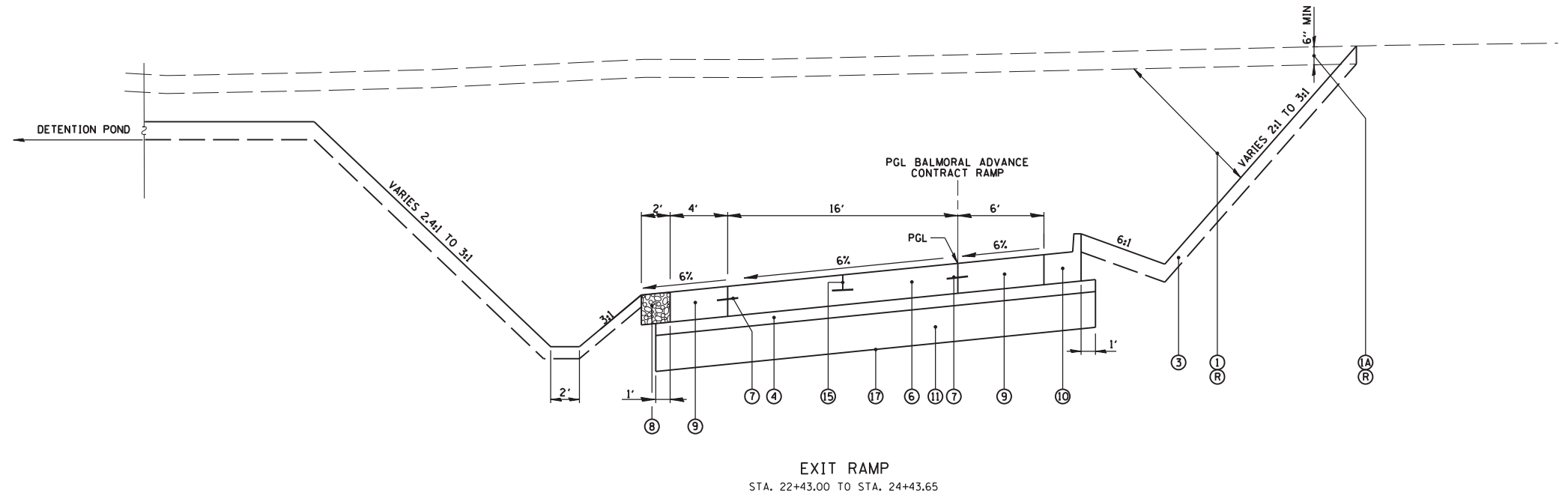
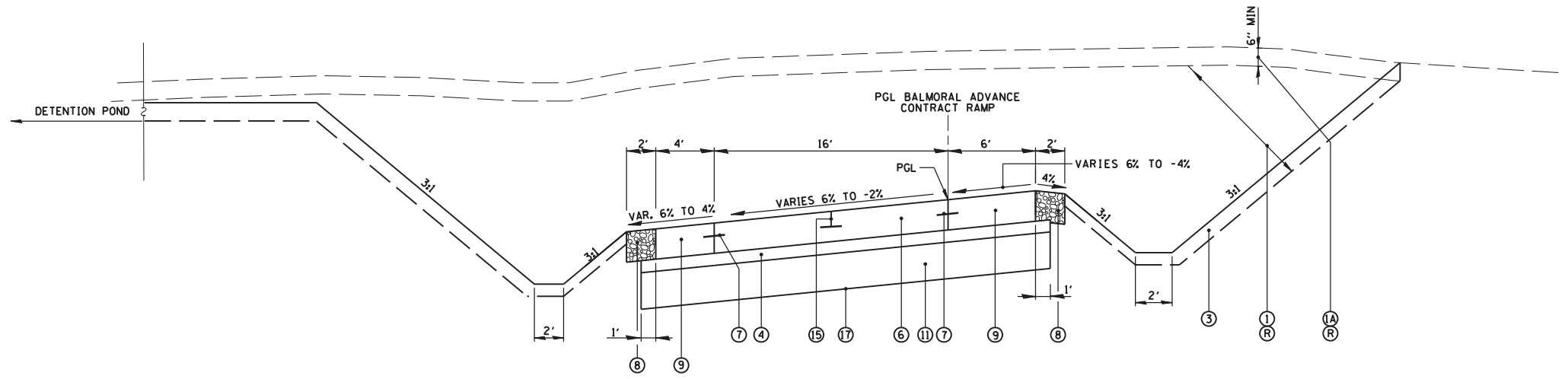


LEGEND

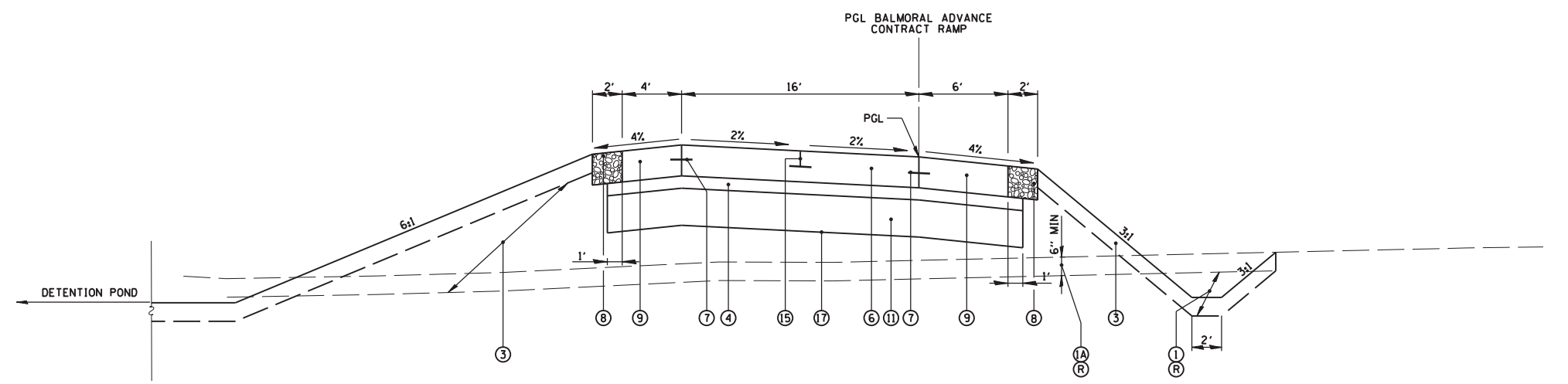
- ① EARTH EXCAVATION (20200100)
- ①A REMOVAL AND DISPOSAL OF UNSUITABLE MATERIAL (20201200)
- ①B STRUCTURE EXCAVATION (50200100)
- ② EMBANKMENT (INCLUDED IN COST OF EARTH EXCAVATION)
- ③ TOPSOIL FURNISH AND PLACE, 6" (21101625)
SEEDING, SEE LANDSCAPE PLANS FOR CLASS
- ④ STABILIZED SUBBASE - HOT-MIX ASPHALT, 4 1/2" (31200502)
- ⑤ SLOPE WALL 4 INCH (SEE STRUCTURAL SHEETS FOR DETAILS) (51100100)
- ⑥ PORTLAND CEMENT CONCRETE PAVEMENT, 10" (JOINTED) (42000501)
- ⑦ NO. 6 TIE BARS 36 INCHES LONG AT 18-INCH CENTERS
(INCLUDED IN THE COST OF ADJACENT CONCRETE ITEMS)
- ⑧ AGGREGATE SHOULDERS, TYPE B, 10" (48101620)
- ⑨ PORTLAND CEMENT CONCRETE SHOULDERS, 10" (48300500)
- ⑩ COMBINATION CONCRETE CURB & GUTTER, TYPE B-6.24 (60605000)
- ⑪ AGGREGATE SUBGRADE IMPROVEMENT 12" (30300112)
- ⑫ SHOULDER REMOVAL AND REPLACEMENT 12" (60100081)
- ⑬ CHAIN LINK FENCE, 6' ATTACHED TO STRUCTURE (X6640535)
- ⑭ CHAIN LINK FENCE, 6' (SPECIAL) (X6640560)
- ⑮ SAWED LONGITUDINAL JOINT (SEE DETAIL)
- ⑯ POROUS GRANULAR BACKFILL (20900110)
- ⑰ GEOTECHNICAL FABRIC FOR GROUND STABILIZATION (21001000)
- ⑱ COMBINATION CONCRETE CURB & GUTTER, TYPE M-2.24 (60608521)
- ⑲ CONCRETE GUTTER, TYPE B (60602800)
- Ⓡ REMOVAL ITEMS



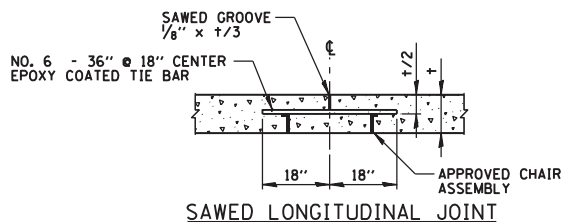
EXIT RAMP
STA. 22+43.00 TO STA. 24+43.65



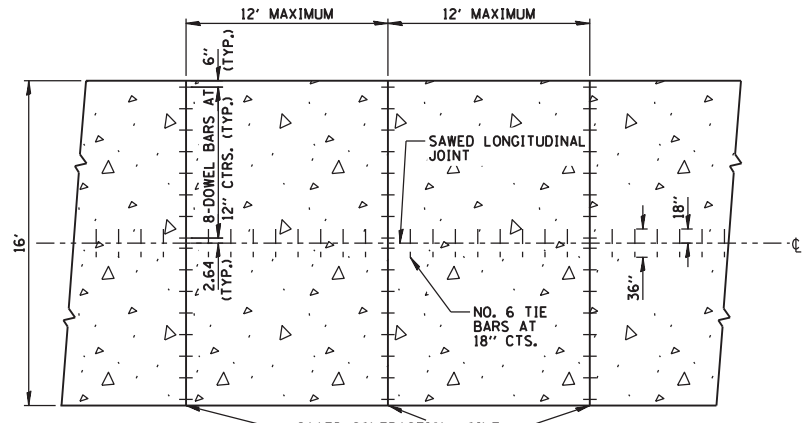
EXIT RAMP
STA. 24+43.65 TO STA. 28+15.00



EXIT RAMP
STA. 28+15.00 TO STA. 36+31.80



SAWED LONGITUDINAL JOINT



PLAN
(ALL BARS TO BE EPOXY COATED)

STATE OF ILLINOIS
DEPARTMENT OF TRANSPORTATION

TYPICAL SECTIONS

SCALE: SHEET NO. OF SHEETS STA. TO STA.

F.A. RTE.	SECTION	COUNTY	TOTAL SHEETS	SHEET NO.
330	0105 WRS&HB	COOK	605	46
CONTRACT NO. 60G37				

CHRISTOPHER B. BURKE ENGINEERING, LTD.
9575 W. Higgins Road, Suite 600
Rosemont, Illinois 60018
(847) 923-0900

USER NAME = pmagnelli	DESIGNED - NJM	REVISED -
PLOT SCALE = 1/8" = 1'-0"	DRAWN - PWN	REVISED -
PLOT DATE = 10/17/2012	CHECKED - SNS	REVISED -
	DATE = 10/17/2012	REVISED -