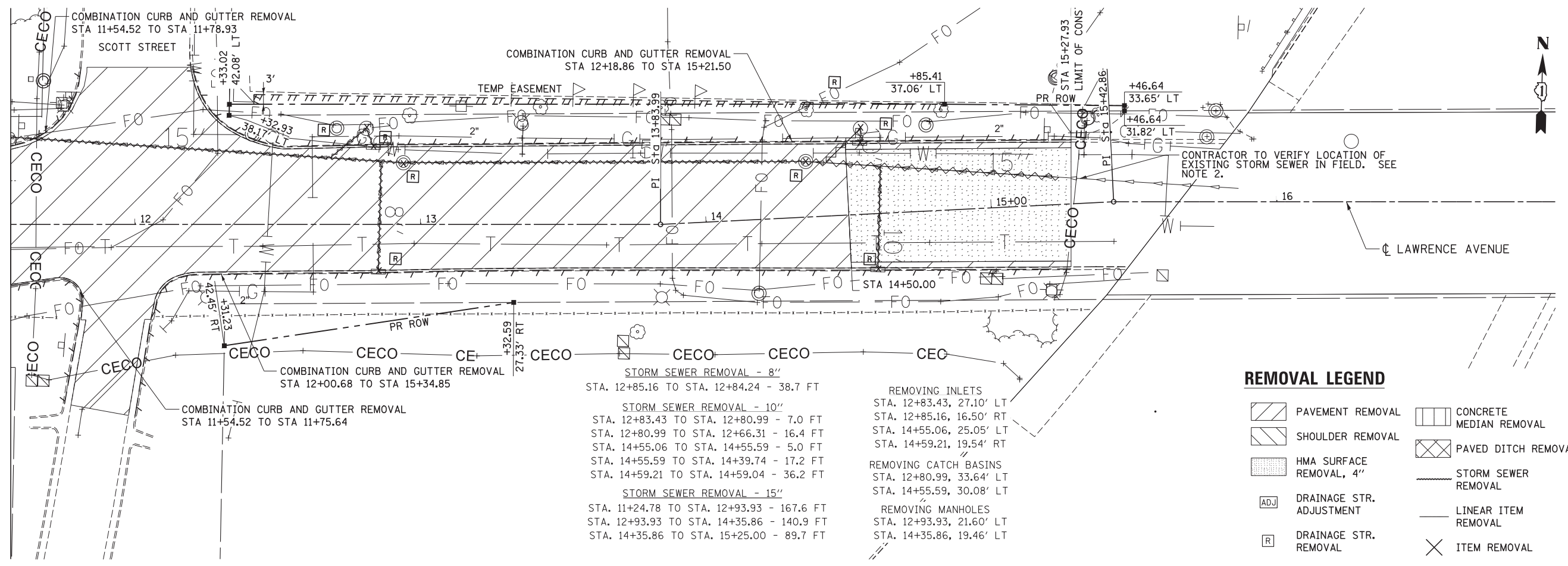


MATCHLINE STA 11+56.44  
SEE SHEET REM-02



COMBINATION CURB AND GUTTER REMOVAL  
STA 11+54.52 TO STA 11+75.64

COMBINATION CURB AND GUTTER REMOVAL  
STA 12+18.86 TO STA 15+21.50

STORM SEWER REMOVAL - 8"  
STA. 12+85.16 TO STA. 12+84.24 - 38.7 FT

STORM SEWER REMOVAL - 10"  
STA. 12+83.43 TO STA. 12+80.99 - 7.0 FT  
STA. 12+80.99 TO STA. 12+66.31 - 16.4 FT  
STA. 14+55.06 TO STA. 14+55.59 - 5.0 FT  
STA. 14+55.59 TO STA. 14+39.74 - 17.2 FT  
STA. 14+59.21 TO STA. 14+59.04 - 36.2 FT

STORM SEWER REMOVAL - 15"  
STA. 11+24.78 TO STA. 12+93.93 - 167.6 FT  
STA. 12+93.93 TO STA. 14+35.86 - 140.9 FT  
STA. 14+35.86 TO STA. 15+25.00 - 89.7 FT

REMOVING INLETS  
STA. 12+83.43, 27.10' LT  
STA. 12+85.16, 16.50' RT  
STA. 14+55.06, 25.05' LT  
STA. 14+59.21, 19.54' RT

REMOVING CATCH BASINS  
STA. 12+80.99, 33.64' LT  
STA. 14+55.59, 30.08' LT

REMOVING MANHOLES  
STA. 12+93.93, 21.60' LT  
STA. 14+35.86, 19.46' LT

**REMOVAL LEGEND**

	PAVEMENT REMOVAL		CONCRETE MEDIAN REMOVAL
	SHOULDER REMOVAL		PAVED DITCH REMOVAL
	HMA SURFACE REMOVAL, 4"		STORM SEWER REMOVAL
	DRAINAGE STR. ADJUSTMENT		LINEAR ITEM REMOVAL
	DRAINAGE STR. REMOVAL		ITEM REMOVAL

- NOTES**
- SEE PAVEMENT MARKING AND SIGNING PLANS, LIGHTING PLANS, LANDSCAPING PLANS, AND TRAFFIC SIGNAL PLANS FOR ADDITIONAL REMOVALS NOT SHOWN ON THIS SHEET.
  - REMOVAL AND DISPOSAL OF EXISTING SHOULDER STABILIZATION UNDER EXISTING GUARDRAIL SHALL NOT BE MEASURED FOR PAYMENT BUT SHALL BE INCLUDED IN THE COST OF SHOULDER REMOVAL.
  - REMOVAL AND DISPOSAL OF EXISTING BURIED MOUNTABLE CURB SHALL NOT BE MEASURED FOR PAYMENT BUT SHALL BE INCLUDED IN THE COST OF SHOULDER REMOVAL.
  - REMOVAL LIMITS FOR EXISTING 15" RCP SHOULD MATCH LOCATION OF PROPOSED STRUCTURE 197 AS SHOWN ON THE PROPOSED DRAINAGE PLANS.

REM-05



USER NAME = mkosir	DESIGNED LLS/MMK	REVISED -
DRAWN MMK	REVISOR -	
PLOT SCALE = 20:1	CHECKED LLS	REVISED -
PLOT DATE = 19-OCT-2012	DATE 10/19/12	REVISED -

STATE OF ILLINOIS  
DEPARTMENT OF TRANSPORTATION

REMOVAL PLAN  
LAWRENCE AVENUE

SCALE: 1" = 50' SHEET NO. 5 OF 6 SHEETS STA. BOP TO STA. EOP

F.A.P. RTE.	SECTION	COUNTY	TOTAL SHEETS	SHEET NO.
330	0105 WRS&HB	COOK	605	62
CONTRACT NO. 60G37				
ILLINOIS FED. AID PROJECT				

FILE NAME = IP\_PWP\dms47844\160G37-shr-rem5.dgn