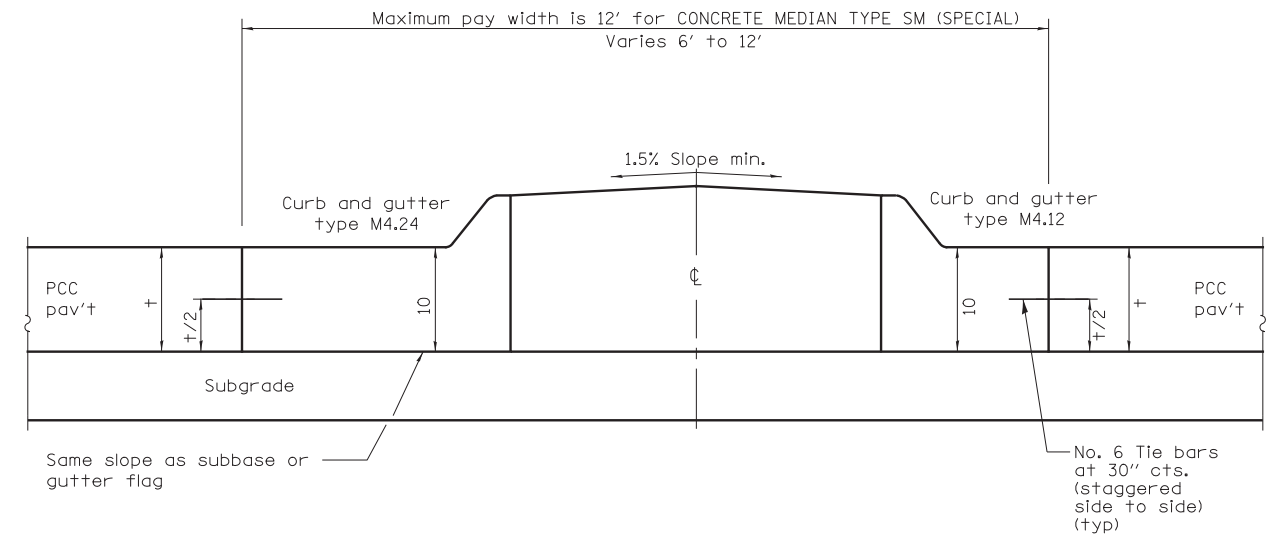
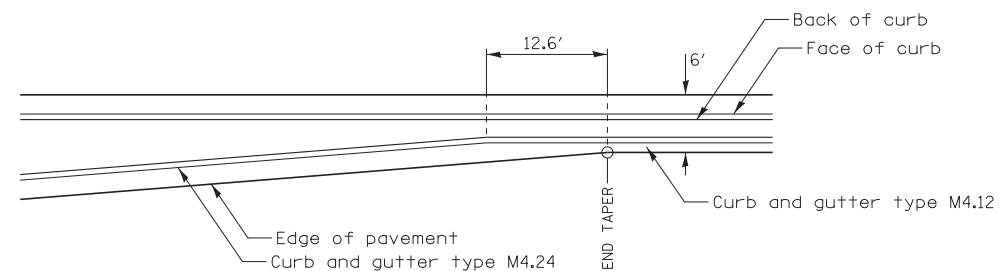


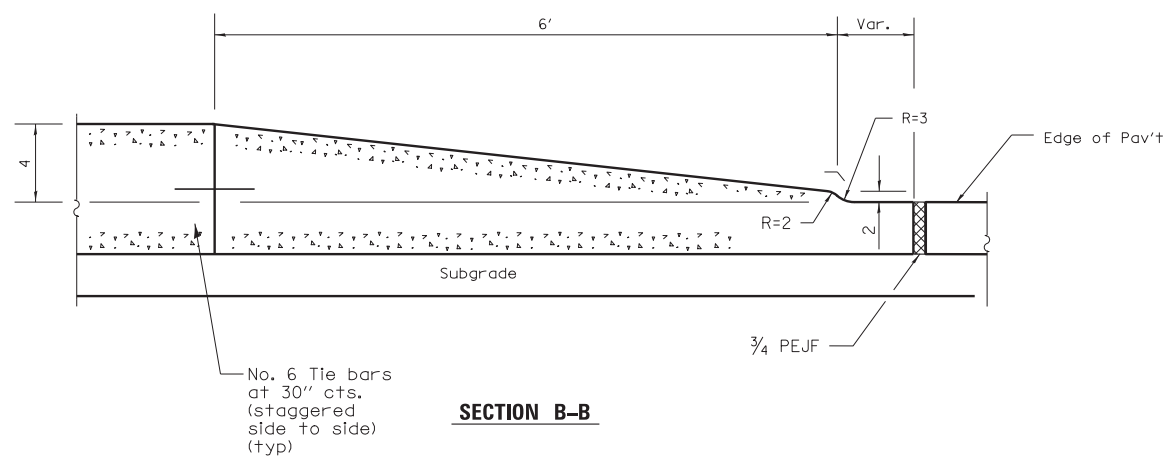
PLAN



SECTION A-A



DETAIL I



SECTION B-B

GENERAL NOTES

- PEJF = Preformed expansion joint filler.
- Median layout and radii shall be as shown on the plans.
- Keyed longitudinal construction joints shall be constructed without tie bars.
- See Standard 420001 and 606001 for details not shown.
- 3/4 PEJF conforming to the full cross section of the curb, gutter and median surface.
- + = Pavement thickness.
- All dimensions are in inches unless otherwise shown.



USER NAME = mko51r	DESIGNED LLS/MMK	REVISED -
	DRAWN MMK	REVISED -
PLOT SCALE = 20:1	CHECKED LLS	REVISED -
PLOT DATE = 19-OCT-2012	DATE 10/19/12	REVISED -

STATE OF ILLINOIS
DEPARTMENT OF TRANSPORTATION

ROADWAY DETAILS
CONCRETE MEDIAN TYPE SM (SPECIAL)

SCALE: N.T.S. SHEET NO. 1 OF 6 SHEETS STA. TO STA.

F.A.P. RTE.	SECTION	COUNTY	TOTAL SHEETS	SHEET NO.
330	0105 WRS&HB	COOK	605	76
CONTRACT NO. 60G37			ILLINOIS FED. AID PROJECT	

PD-01