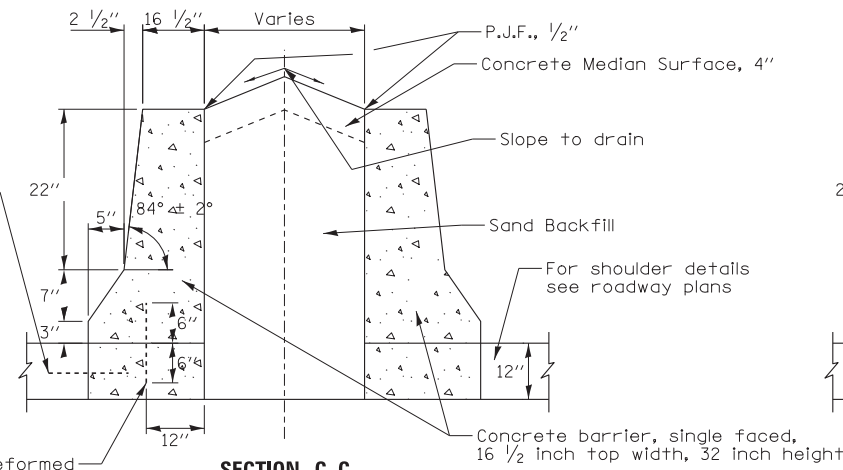


NOTES

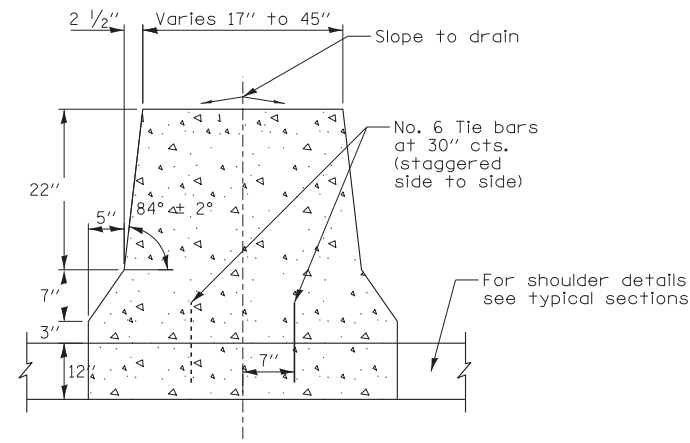
For ITS conduit details, see ITS plans.
For lighting conduit details, see Lighting plans.

Optional construction joint:
No. 8 deformed epoxy coated tie bar, 30" long, 24" c-c drill & grout in place (Included in cost of "CONCRETE BARRIER, SINGLE FACE, 32 INCH HEIGHT")

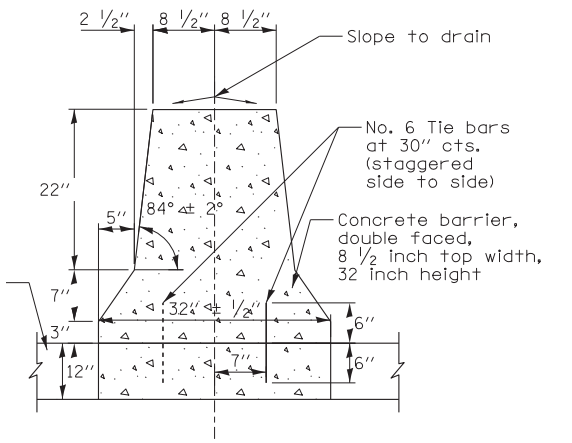
No. 6 deformed epoxy coated tie bar, 12" long @ 15" c-c drill & grout in place (Included in the cost of barrier base)



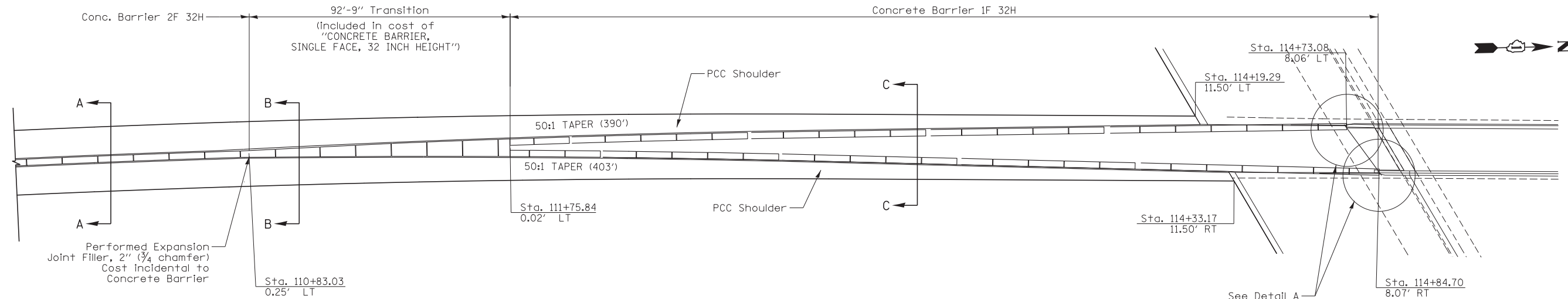
**SECTION C-C
CONCRETE BARRIER SINGLE FACE, 32H
AND CONCRETE SURFACE**



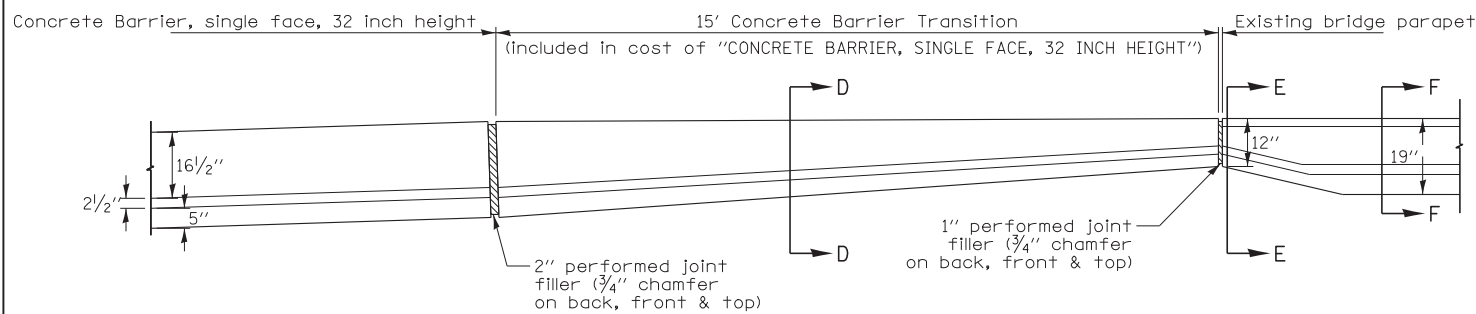
**SECTION B-B
CONCRETE BARRIER
TAPER**



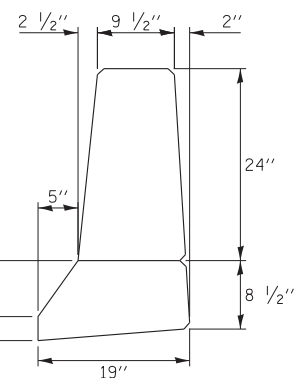
**SECTION A-A
CONCRETE BARRIER
DOUBLE FACE, 32 INCH HEIGHT**



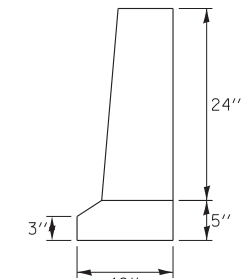
**PLAN VIEW
CONCRETE BARRIER TRANSITION**



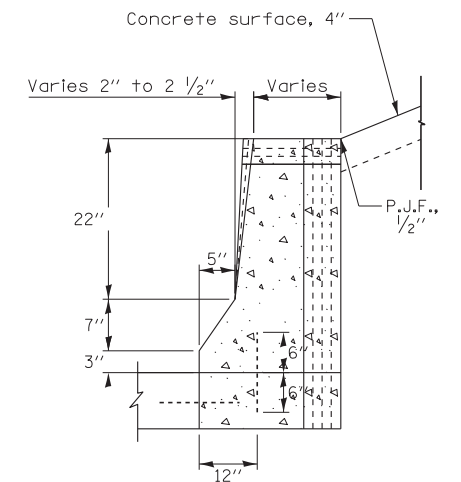
**DETAIL A
PLAN VIEW**



**SECTION F-F
PARAPET**



**SECTION E-E
PARAPET**



**SECTION D-D
CONCRETE BARRIER TRANSITION**



USER NAME = mko31r	DESIGNED LLS/MMK	REVISED -
PLOT SCALE = 20:1	DRAWN MMK	REVISED -
PLOT DATE = 19-OCT-2012	CHECKED LLS	REVISED -
	DATE 10/19/12	REVISED -

STATE OF ILLINOIS
DEPARTMENT OF TRANSPORTATION

ROADWAY DETAILS
CONCRETE BARRIER TRANSITION

SCALE: 1" = 20' SHEET NO. 4 OF 6 SHEETS STA. TO STA.

F.A.P. RTE.	SECTION	COUNTY	TOTAL SHEETS	SHEET NO.
330	0105 WRS&HB	COOK	605	79
CONTRACT NO. 60G37				
ILLINOIS FED. AID PROJECT				

PD-04