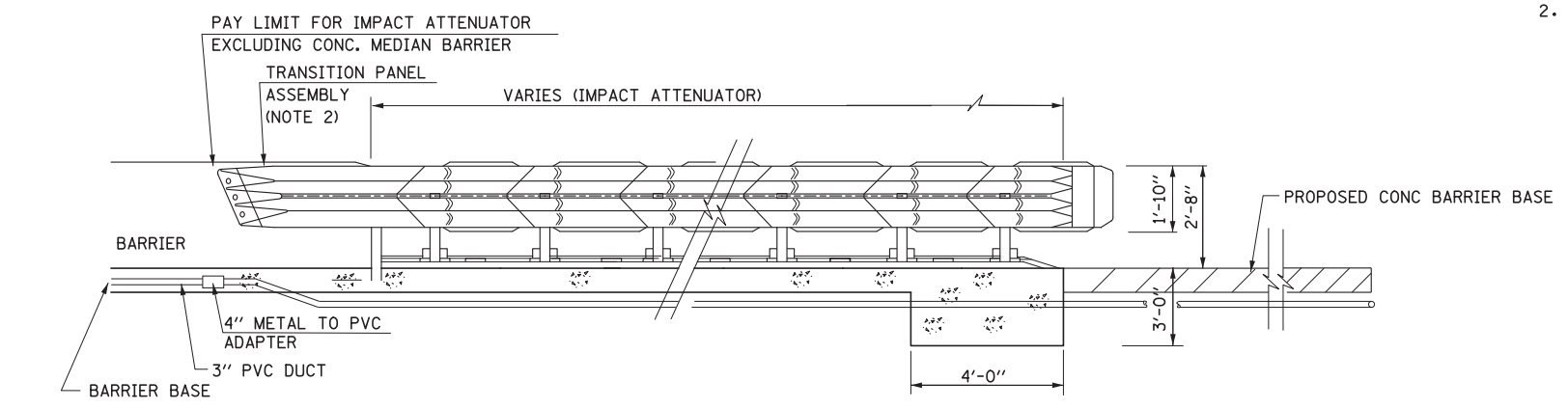
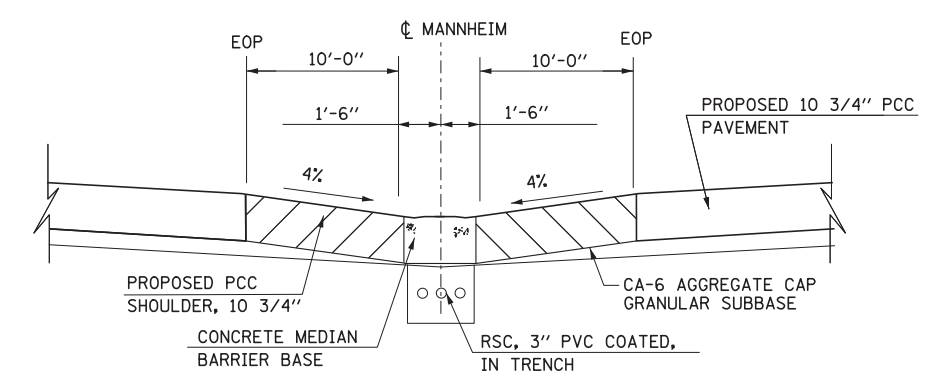
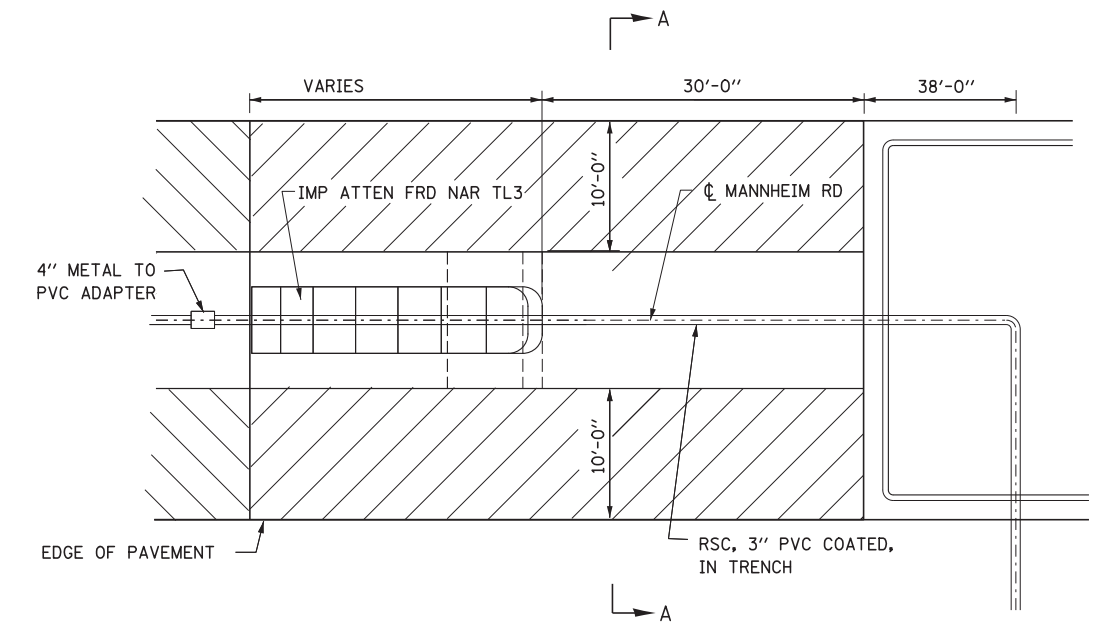


PLAN



ELEVATION
IMPACT ATTENUATOR



SECTION A-A
DETAIL OF PERMANENT MEDIAN CROSSOVER

GENERAL NOTES:

1. THE CONTRACTOR SHALL SUBMIT, FOR APPROVAL, SHOP DRAWINGS AND DETAILED INSTALLATION DRAWINGS THAT ACCURATELY DEPICT ALL DETAILS NECESSARY FOR COMPLETING THE INSTALLATION. ALL WORKMANSHIP AND MATERIALS SHALL BE SUBJECT TO THE APPROVAL OF THE ENGINEER.
2. TRANSITION PANEL INCLUDED IN COST OF ATTENUATOR.



USER NAME = mikosir
PLOT SCALE = 20:1
PLOT DATE = 19-OCT-2012

DESIGNED LLS/MMK
DRAWN MMK
CHECKED LLS
DATE 10/19/12

REVISED -
REVISED -
REVISED -
REVISED -

STATE OF ILLINOIS
DEPARTMENT OF TRANSPORTATION

ROADWAY DETAILS
IMPACT ATTENUATOR

SCALE: 1" = 20' SHEET NO. 5 OF 6 SHEETS STA. TO STA.

F.A.P. RTE.		SECTION	COUNTY	TOTAL SHEETS	SHEET NO.
330		0105 WRS&HB	COOK	605	80
				CONTRACT NO. 60G37	
ILLINOIS FED. AID PROJECT					

PD-05