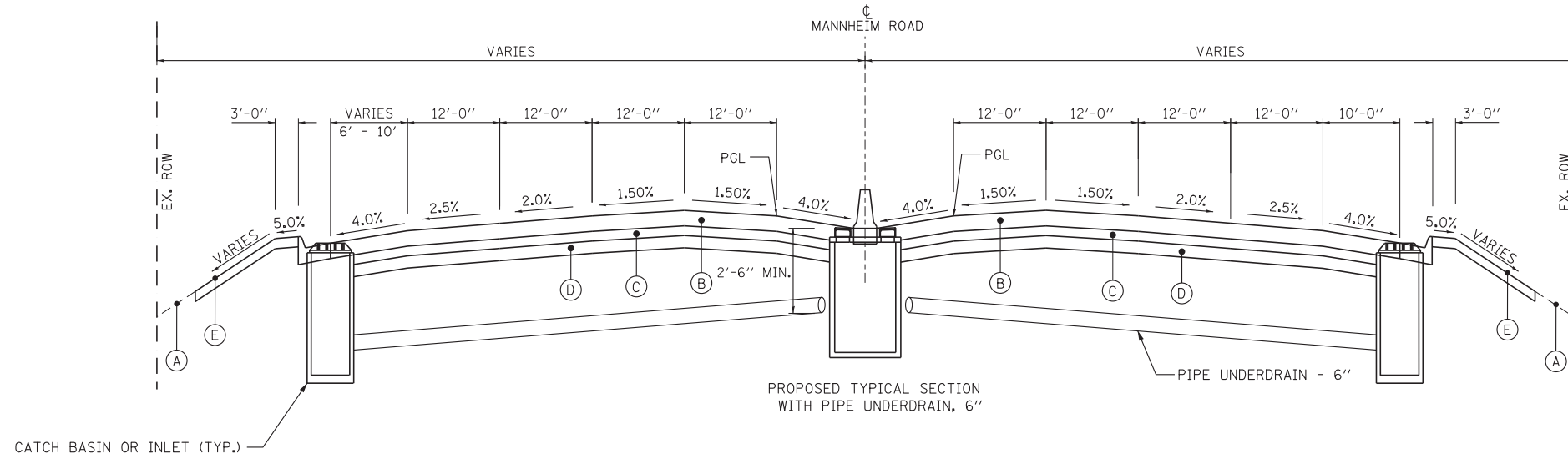
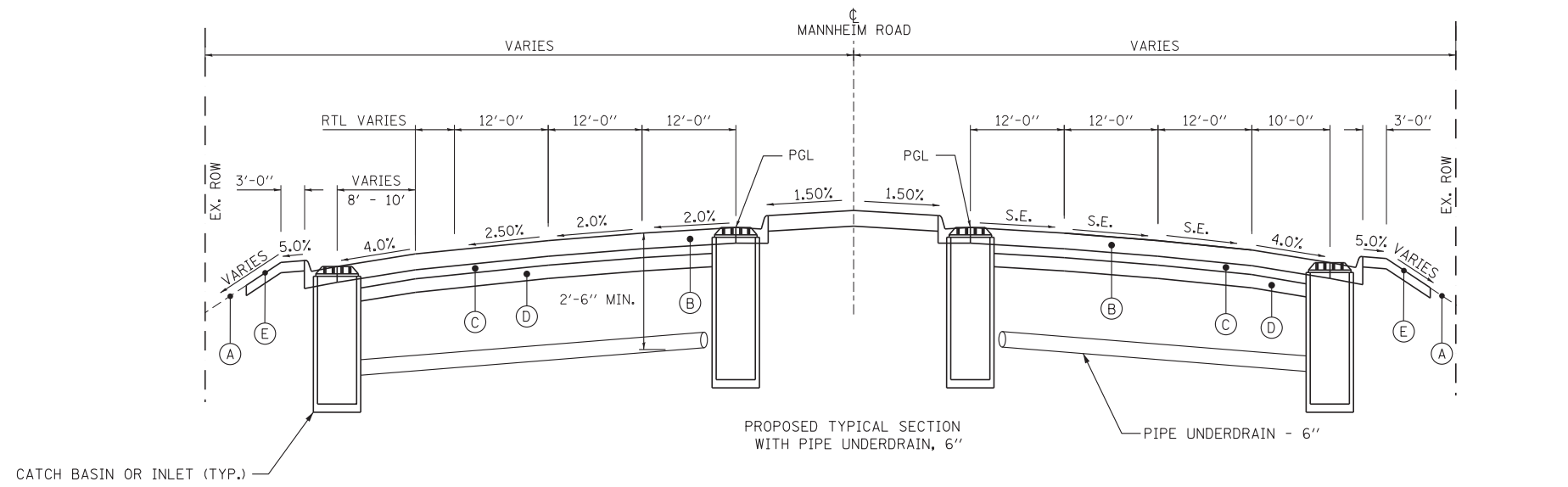


**DRAINAGE QUANTITIES
PIPE UNDERDRAIN, 6"**



- PROPOSED LEGEND**
- (A) EXISTING GROUND LINE
 - (B) PROPOSED PORTLAND CEMENT CONCRETE PAVEMENT 10 3/4" (JOINTED)
 - (C) PROPOSED STABILIZED SUBBASE (HMA), 4 1/2"
 - (D) PROPOSED AGGREGATE SUBGRADE 12"
 - (E) PROPOSED GROUND

- NOTES:**
- 1 THE UNDERDRAIN SHALL BE PLACED OUTSIDE OF STORM SEWER TRENCHES.
 - 2 UNDERDRAINS SHALL BE CONSTRUCTED ON A SLOPE PARALLEL TO THE PAVEMENT SLOPE AND CONNECT TO STRUCTURE SHOWN.
 - 3 UNDERDRAIN SHALL BE PLACED AT A MINIMUM DEPTH OF 30". IN AREAS OF POROUS GRANULAR EMBANKMENT, SUBGRADE, THE UNDERDRAIN SHALL BE PLACED A MINIMUM OF 6" BELOW THE POROUS GRANULAR EMBANKMENT, SUBGRADE.
 - 4 COST OF CONNECTING UNDERDRAIN TO STRUCTURES SHALL BE INCLUDED IN THE COST OF PIPE UNDERDRAIN, 6".

PIPE UNDERDRAIN, 6"		
MANNHEIM ROAD		
APPROX. STATION	CONNECT TO STRUCTURE	LENGTH (FT)
29+86.90	1A & 4	106
34+06.90	9 & 13	86
38+26.90	21 & 25	86
42+46.90	31 & 35	100
47+01.90	36 & 39	91
48+76.90	41 & 44	88
50+51.90	46 & 49	88
54+01.90	56 & 59	86
57+51.90	66 & 69	91
61+76.93	78	116
66+29.00	91 & 93	116
69+99.36	107 & 109	94
73+91.00	126 & 127	120
76+21.00	131 & 132	117
78+71.00	135 & 136	105
81+21.00	142 & 143	90
85+75.00	147 & 148	118
90+75.13	155 & 157	126
93+25.50	160 & 161	126
98+04.00	171 & 172	86
103+41.00	177 & 178	94
111+10.00	183 & 188	100
113+50.89	187	58
113+89.11	191	46
12+39.00	193 & 194	56
14+00.00	195 & 196	50
PROJECT TOTAL		2440 FEET



USER NAME = mko31r	DESIGNED	REVISED -
	DRAWN	REVISED -
PLOT SCALE = 50:1	CHECKED	REVISED -
PLOT DATE = 19-OCT-2012	DATE 10/19/12	REVISED -

**STATE OF ILLINOIS
DEPARTMENT OF TRANSPORTATION**

PIPE UNDERDRAIN SCHEDULE

SCALE: SHEET NO. OF SHEETS STA. TO STA.

F.A.P. RTE.	SECTION	COUNTY	TOTAL SHEETS	SHEET NO.
330	0105 WRS&HB	COOK	605	193
				CONTRACT NO. 60G37
				ILLINOIS FED. AID PROJECT